

# WIRTGEN GROUP: PARTS AND MORE 2015.



Close to  
our customers



ROAD AND MINERAL TECHNOLOGIES

[www.wirtgen-group.com](http://www.wirtgen-group.com)

# WIRTGEN GROUP: PARTS AND MORE 2015.



Close to  
our customers



ROAD AND MINERAL TECHNOLOGIES

[www.wirtgen-group.com](http://www.wirtgen-group.com)



# WIRTGEN GROUP NEWS IN THE PARTS AND MORE CATALOGUE 2015

## The Wirtgen Group is pleased to present our new Parts and More Catalogue 2015

Thanks to your numerous suggestions and the experiences we have shared with you in the field, we have again been able to extend our range of spare parts and adapt them to meet your requirements.

The catalogue will prove to be a useful tool in your daily work and will help you to quickly and easily identify the relevant spare parts for your Wirtgen Group products. To help you find your way around the catalogue, we have given our parts 5 distinctive characteristics. The tables have been updated and extended to include around 20 more Wirtgen Group machine types.

The comprehensive range of Wirtgen Group spare parts offers you a number of versatile service packages that collect all the components you need to carry out repairs on specific machine areas. This not only facilitates the calculation of your demands for the order to be placed but also ensures that you only receive the spare parts you actually require. Hence, you will save time and money.



The following **new Wirtgen Group products** have been added to the 2015 Parts and More catalogue:

### **Wirtgen GmbH machines:**

- Wirtgen road milling machines W 50 R, W 50 Ri, W 60 R, W 60 Ri, W 100 H, W 130 H
- Wirtgen slipform pavers SP 90, SP 90i, SP 92, SP 92i, SP 94, SP 94i

### **Joseph Vögele AG machines:**

- Vögele SUPER 1600-3, SUPER 1603-3

### **Hamm AG machines:**

- Compactor H 11ix - H 13ix

### **Kleemann GmbH machines:**

- Mobile jaw crushers MC 110 Ri EVO und MC 110 Zi EVO
- Mobile secondary crushing plants MCO 9, MCO 9i, MCO 9 S, MCO 9 Si
- Mobile impact crusher MR 110 EVO 2, MR 110 Z EVO 2, MR 110 Zi EVO 2, MR 130 Z EVO 2, MR 130 Zi EVO 2

The following **spares** have been optimised or added:



**Wirtgen Group:**

The **range of lubricants** has been updated and extended to cater for all the newly added machines. In this edition, you will find a new **overview of lubricants** with explanations on their use in the sections on the individual main production facilities.



**Wirtgen GmbH:**

The range of **picks** has been updated, from road milling machines through to recyclers and surface miners. In addition to **service kit boxes for small electrical parts**, Wirtgen now also offers **two different tool boxes**. These are designed for service and repairs on small and large milling machines.



**Joseph Vögele AG:**

Vögele spare parts product range has been largely updated.



**Hamm AG:**

Hamm offers special **service packages** matched to the respective roller types for filters and lubricants.



**Kleemann GmbH:**





































The Kleemann spare parts product range has been updated in the **blow bar** segment. **Scraper strips** are now also available. They provide optimum cleaning for belt conveyors.












We wish you every success in working with our products! We look forward to working with you in the new year and to many new suggestions regarding further Wirtgen Group products and services.






Yours truly,  
**Your Wirtgen Group Service Team**



# WIRTGEN GROUP ORIGINAL PARTS

		8
	Core competence cutting technology	10
	Picks	14
	Toolholders	44
	Milling drums	58
	Milling drum housing	80
	Conveyors	86
	Crawler unit parts	94
	Wheels and tyres	106
	Power belts, belt pulleys, tensioner system	110
	Clutches	116
	Levelling	122
	Water system	134
	Cabin	142
	Electric and hydraulic vibrators	144
	Cold recycler components	146
	Electrical accessories	150
	Tools	155
	Filters	162
	Maintenance kits	180
	Lubricants	184
	<b>VÖGELE</b>	194
	Core competence paving technology	196
	Conveyance of mix	198
	Spreading of mix	212
	Compaction technology	220
	Generator management and screed heating technology	242
	Screed width control	256
	Crawler unit parts	260
	Wheels and tyres	268
	Levelling	272
	Cabin	282
	Tools	284
	Filters	292
	Lubricants	296

		306
	Core competence compaction technology	308
	Wheels and drums	312
	Water system	320
	Cabin	326
	Electrical accessories	330
	Tools	338
	Filters	340
	Maintenance kits	346
	Lubricants	350

		364
	Core competence crushing technology	366
	Blow bars	370
	Abrasion lining	376
	Crusher tool carriers	384
	Crusher tools	386
	Power belts	398
	Conveyors	400
	Scraper strips	404
	Crawler unit parts	406
	Screens	410
	Water system	430
	Electrical accessories	432
	Filters	434
	Lubricants	446



# ORIGINAL WIRTGEN GROUP ORIGINAL PARTS AND CUSTOMER-ORIENTED SERVICES

Parts and More provides an overview of the most important Wirtgen Group original parts and is the ideal ordering aid for you, featuring additional information about part quality, maintenance aspects and application technology expertise.

In addition to the catalogue you are holding in your hands, the Wirtgen Group offers a variety of other information sources.

## Parts and More online

You can visit Parts and More online at [www.partsandmore.net](http://www.partsandmore.net) worldwide at any time. Here you will find the Wirtgen Group Original Parts in a clearly structured format.



## Parts and More to takeaway

Across more than 1300 pages, the Parts and More DVD explains key aspects of application technology, provides information on maintenance of machines and presents the most important original parts clearly with their respective benefits. Timing and reasons for the replacement of wearing parts are described in terms of figures and photos with detailed explanations. The DVD is specially designed for our customers self-study and for training of customer advisors and service technicians who wish to gain skills that will enable them to advise on original parts. The content is matched to this catalogue and is available in eight languages (DE, EN, ES, FR, IT, PT, RU, CN). An update is issued each year.



### Parts and More Compact

Our brochures provide basic knowledge in the area of spare parts. The focus is primarily on key wear characteristics, the interaction of damaged components with each other and the proper maintenance.

Parts and More Compact helps you to find the most economical alternative for your construction site for any situation. You get to know your Wirtgen Group machines and can maintain and service them this way optimally and long term.

Parts and More is presently available for the following subjects:

- Crawler unit parts
- Lubricants and filters
- Picks
- Toolholder system HT22
- Drum parts
- Screed
- Blow bars

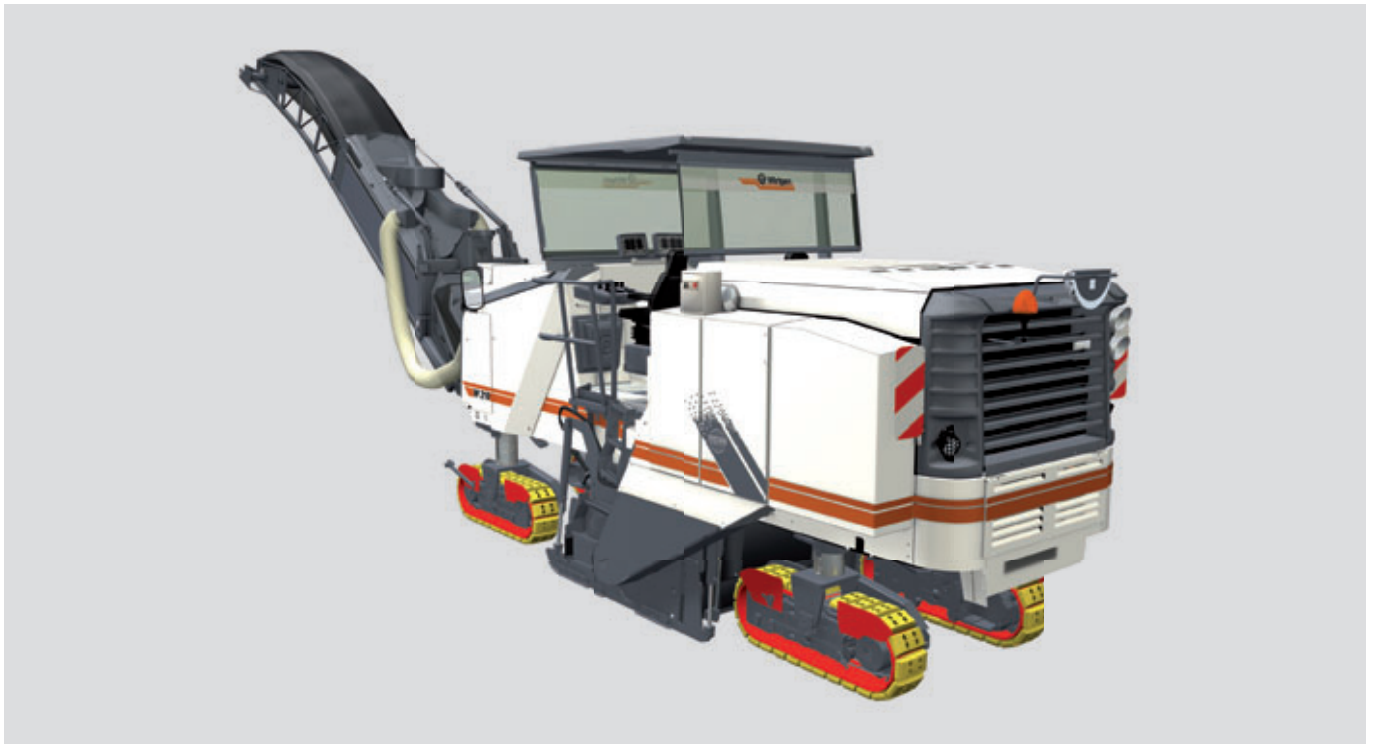
With Parts and More you have an ideal and comprehensive system that can support you in your daily work with our parts competently as partner, by:

- Providing knowledge about the possible uses
- Providing an easy ordering help
- Aiding in wear assessment
- Providing maintenance tips and much more.




















# WIRTGEN GMBH WORLD MARKET LEADER FOR ROAD MILLING MACHINES



	<b>Wirtgen GmbH</b>	<b>8</b>
	<b>Core competence cutting technology</b>	<b>10</b>
	<b>Picks</b>	<b>14</b>
	Picks <b>GENERATION X</b>	14
	Picks (Ø 22 mm and 25 mm)	16
	Picks geometry and code letters	18
	Pick recommendation and delivery range	20
	Pick details	24
	Surface Miner picks (Ø 38/30 mm and 42 mm)	34
	Surface Miner picks geometry and code letters	36
	Pick recommendation for Surface Miners	38
	Pick details for Surface Miner	39
	<b>Toolholders</b>	<b>44</b>
	Toolholder systems	44
	Quick-change toolholder system HT22	46
	Quick-change toolholder systems HT11, HT3, HT2	48
	Welded toolholders	50
	Quick-change toolholder system HT15 for surface mining	52
	Ejectors	56
	<b>Milling drums</b>	<b>58</b>
	Milling drums	58
	Side cutting wheels and saw blades	74
	Rumble strips	76
	FCS milling units	78
	<b>Milling drum housing</b>	<b>80</b>
	Scrapers	80
	Wear-protection segments	82

	<b>Conveyors</b>	<b>86</b>
	Hot-vulcanised conveyor belts	86
	Drive and return rollers	88
	Guide rollers and support rollers	90
	<b>Crawler unit parts</b>	<b>94</b>
	Crawler unit chains	94
	Track pads POLY GRIP Easy Pad System	96
	Track pads POLY GRIP conventional system	100
	Track rollers	102
	Crawler unit parts	104
	<b>Wheels and tyres</b>	<b>106</b>
	Wheels, rubber tyres, pneumatic and solid rubber tyres	106
	<b>Power belts, belt pulleys, tensioner system</b>	<b>110</b>
	Power belts and belt pulleys	110
	Belt tensioning systems for milling drum drives	114
	<b>Clutches</b>	<b>116</b>
	<b>Levelling</b>	<b>122</b>
	Levelling technology	122
	Levelling controls	123
	Sensors and scanning components	124
	Cables for leveling components	128
	Retrofit kits for leveling systems	130
	<b>Water system</b>	<b>134</b>
	Water pumps	134
	Sprinkler nozzles	138
	<b>Cabin</b>	<b>142</b>
	Cab and chassis components	142
	<b>Electric and hydraulic vibrators</b>	<b>144</b>
	<b>Cold recycler components</b>	<b>146</b>
	Connecting elements for cold recyclers	146
	Connections and hose system for cold recyclers	148
	<b>Electrical accessories</b>	<b>150</b>
	Electrical service packages and emergency kits	150
	Halogen work lights and LED lights	152
	Safety equipment and light balloons	154
	<b>Tools</b>	<b>155</b>
	Tool kits for road milling machines	155
	Tools for changing picks	156
	Maintenance and assembly tools	158
	Profile gauges	159
	Tools	160
	Belt repair service packages	161
	<b>Filters</b>	<b>162</b>
	Filter elements	162
	Service packages for engine oil filters and hydraulic oil filters	176
	<b>Maintenance kits</b>	<b>180</b>
	<b>Lubricants</b>	<b>184</b>
	Lubricants	184
	Accessories for filling and lubrication	185
	Lubricants in detail	186
	Lubricant requirements	190



# ORIGINAL WIRTGEN CORE COMPETENCE CUTTING TECHNOLOGY

Wirtgen's core competence is cold milling. In this cutting process material is removed in layers. This environmentally friendly process allows recycling and reuse of the milled material.

The heart of every cold milling machine is a milling drum, which is powered via a power belt and equipped with picks. During usual road milling the milling drum rotates into the opposite direction of travel or feed direction (counter-rotation). The design of milling drums with line spacing, alignment and use of the holder systems determines, beside the picks used, also the productivity and efficiency of the road milling machines.

Wirtgen is a leader in application technology and continues to develop its core competence of cutting technology further. The picks are developed and produced in close coordination with our system partner Betek exclusively for Wirtgen. The increasing capabilities of the Wirtgen milling machines define the demands made on picks. Therefore, they are subject to consequent further development, such as the advantages of the **GENERATION X** picks.



After crushing the milled material it is loaded from the drum housing, depending on the machine type (rear or front loader), via a conveyor system.





### At the top: The milling drum

At the heart of the world famous Wirtgen road milling machines are the milling drums, designed and manufactured in our Windhagen headquarters. In the standard product range, Wirtgen offers an extensive number of optional drums that help the customer to perform many applications in the surface processing, as well as performing recycling work or when cut mining hard rock.

Almost every day we respond to individual project enquiries with appropriate solutions that require the use of special milling technologies.

With success, such as the many special milling drums for Wirtgen devices and for competitor machinery, but also for special equipment such as processing plants or even mine-cleaning equipment. In the design and production departments using the latest CAD and CNC technology, a new product is created on the computer screen. After corresponding simulation calculations the data is transferred to the production. Result: In a short time the customer can use his special roll on his site.

Wirtgen can also produce nowadays line spacings up to 3 mm through high-precision milling drum manufacturing processes. Wirtgen milling machines can be used anywhere where increased quality demands are made on milled surfaces.

Using the patented, optional milling drum quick-change system from Wirtgen *Flexible Cutter System* (FCS), the application range can be expanded flexibly through the quick and easy conversion of milling drums of various working widths, line spacings or milling profiles. The machine is utilised more often and is therefore very economical.





# ORIGINAL WIRTGEN CORE COMPETENCE CUTTING TECHNOLOGY

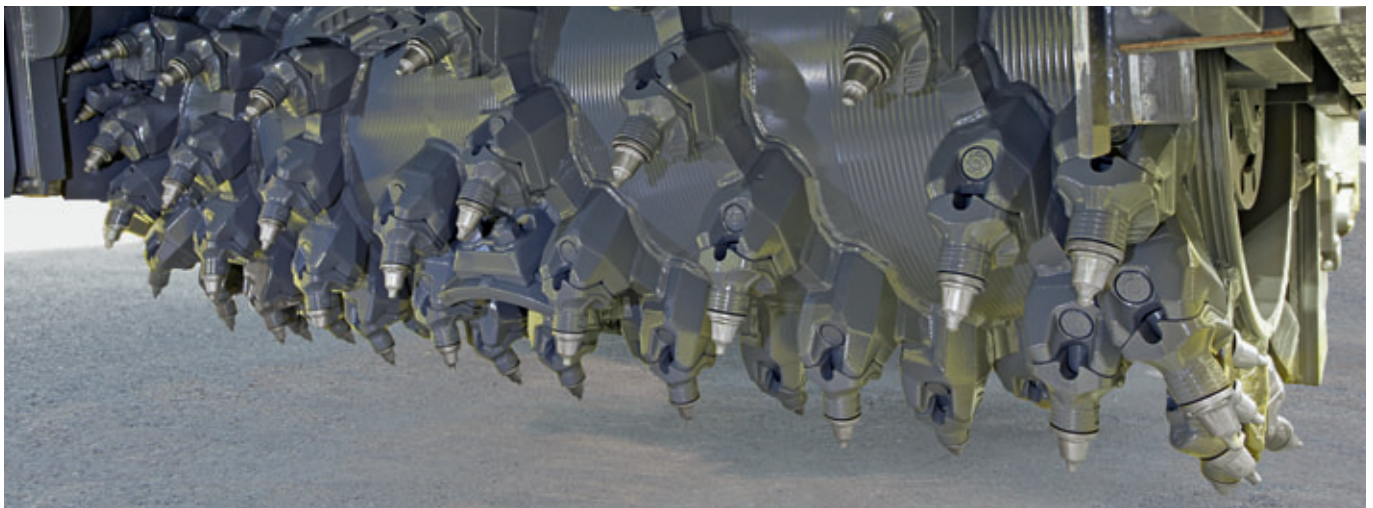
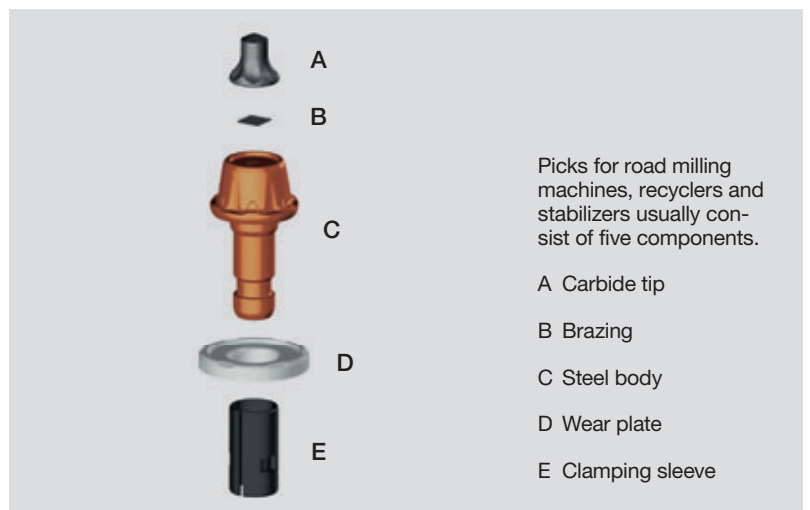
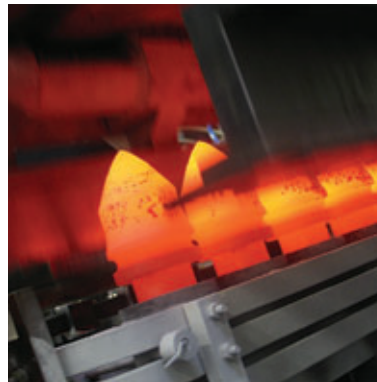
## Best use: Picks

If machinery and tool manufacturers combine their skills, then the customer has many benefits.

Betek and Wirtgen developed the first road milling pick in cooperation in 1983. Since then, both companies have utilised their experience to continuously develop the picks. The head office of BETEK GmbH & Co. KG is located in Aichhalden in the Black Forest and is part of the SIMON group of companies founded in 1918. The close cooperation of the two system partners enables us to quickly react to our customers' wishes and suggestions. Development, construction and manufacture of various cutting tools at Betek, perfectly matched to different machine types of Wirtgen, ensure maximum performance of the Wirtgen equipment.

The design of the picks varies between the different types depending on the application field and range. The components and their function are however always identical. Only the composition and geometry of the components is adjusted to the required applications.

The highest possible economic efficiency is achieved by choosing the correct pick. This depends on the anticipated loads and acting wear mechanism.

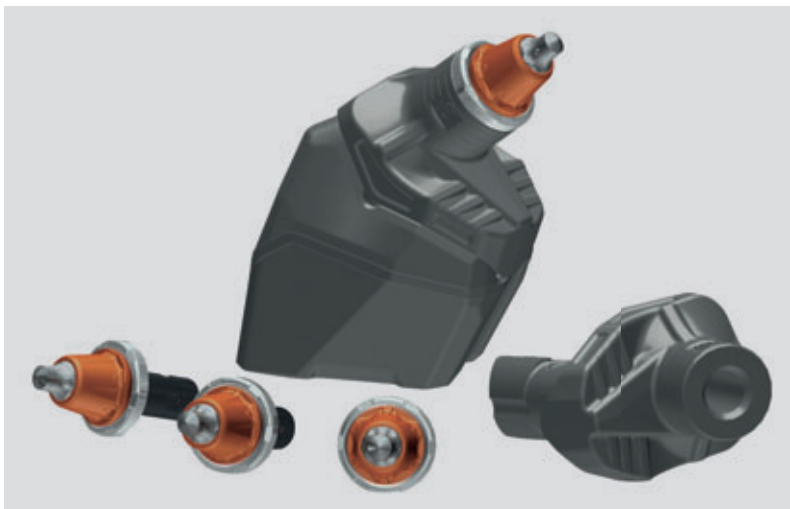




**The Wirtgen innovation:  
Quick-change toolholder system**

Since 1990 Wirtgen has been developing quick-change toolholder systems for milling drums. These quick-change toolholder systems consist primarily of two parts: the toolholder lower section, welded to the milling drum tube, and the toolholder upper section, attached to the housing by a quick-release bolt connection.

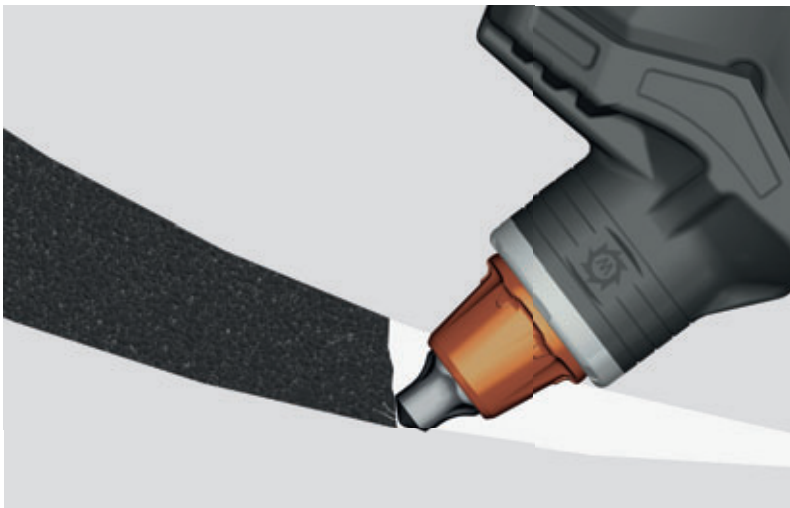
The latest research methods and computer simulations, such as the finite element method (FEM), allow the physical properties of virtual prototypes to be examined and optimised on the computer. Parallel to this, extensive tests are carried out with maximum loads and extreme situations in practice.



**Interaction of pick GENERATION X and  
quick-change toolholder system HT22**

In addition to further development of the Wirtgen toolholder system, Wirtgen picks have been re-engineered to increase the service life of the overall system and improve the toolholder upper section. In addition to the construction of a thicker wear plate, the cone on the lower side was adjusted to the toolholder's upper part. The geometry of the carbide pick tip has been optimised to ensure maximum utilisation of the composite material.

Especially in the interaction of the holder system HT22 and pick GENERATION X, which may also be used on any other holder systems, the lifetime reaches ideal levels. Finally, this general optimisation of Wirtgen cutting components leads to increased economic efficiency, setting new standards.



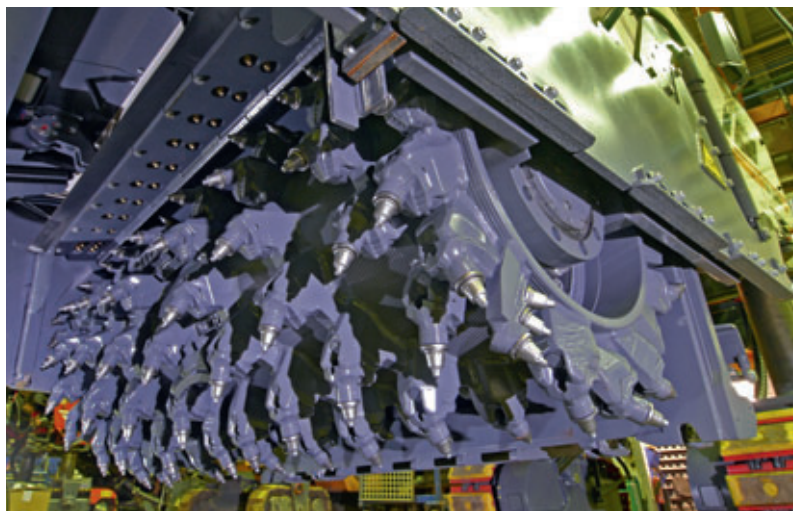


# ORIGINAL WIRTGEN PICKS GENERATION X (Ø = 20 MM)

The carbide tip geometry and wear plate design of all picks with 20-mm shank diameters have been re-engineered to lower the operating costs and increase the service life of the toolholders.

The relocation of the hard metal of the pick tip allows for maximum use of tungsten-cobalt composite (see figure, page 15).

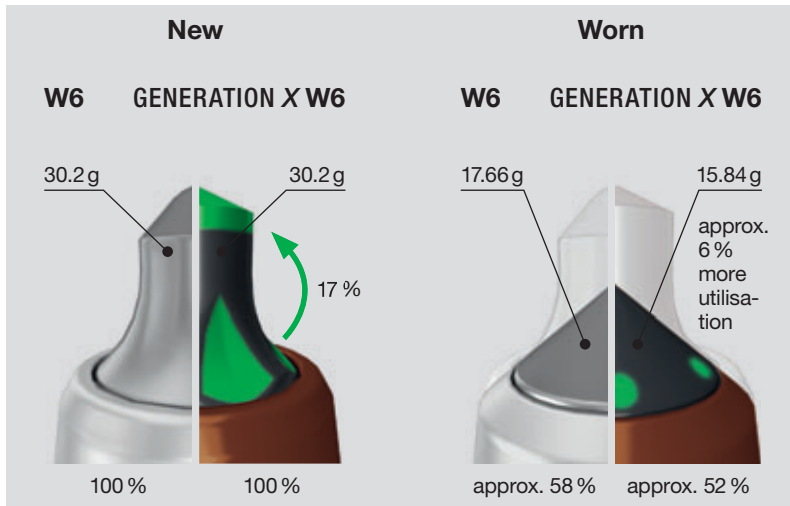
The reinforced wear plates in the edge area and the significantly enlarged cone on the bottom wear plate provide better protection and improved service life of the holder systems.



- 1 Performance-optimised carbide shape** for maximum productivity and long-lasting, high penetrating power **+17 %**
- 2 Intelligent carbide shape** for effective utilisation of the carbide except for minimum remaining residual carbide **+6 %**
- 3 Thick and rugged wear plate** for maximum protection against wear of the toolholder **+75 %**
- 4 Large centring cone of the wear plate** for reduced bore wear in the toolholder leads to optimised rotation behaviour of the toolholder lifetime **+140 %**
- 5 Optimised stop positioning of the twin-stop clamping sleeve** in the lower, non-critical pick area for minimised tendency to fracture **-45 %**

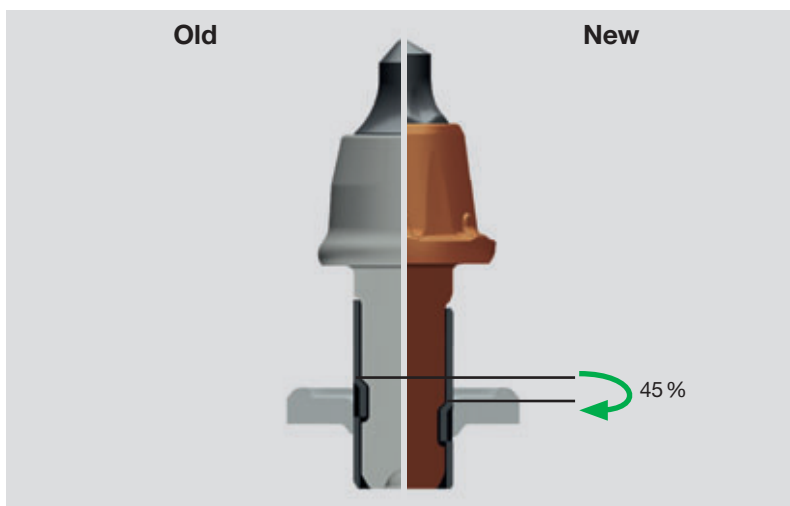
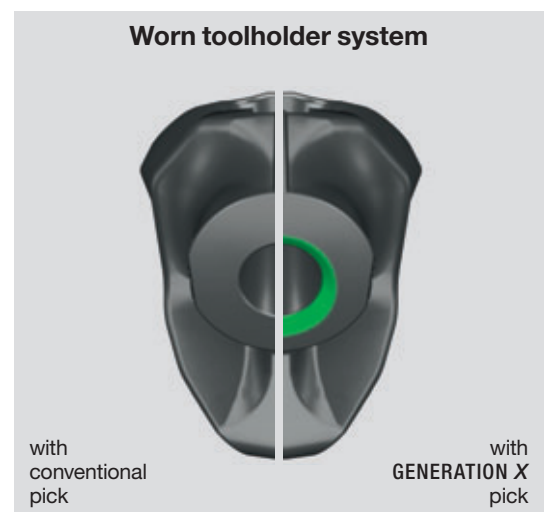
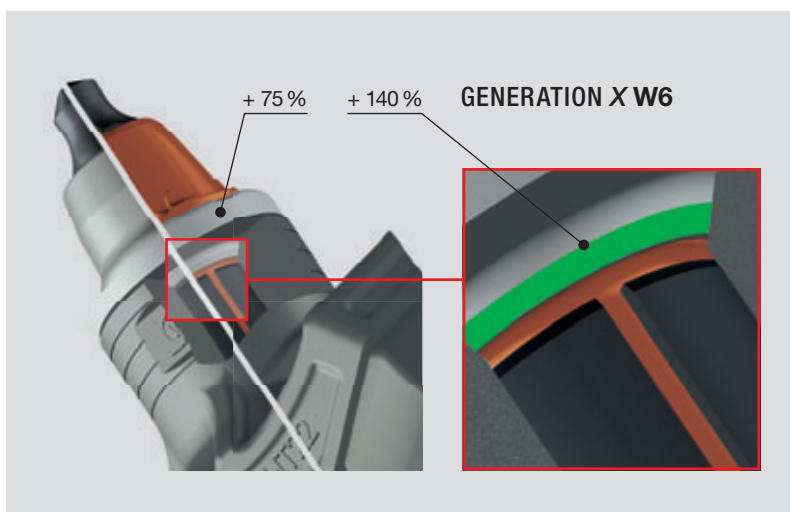


Percentages relate to W6/20 (Part No.: 2218478) v. W6/20X (Part -No.: 2308098).



The carbide shape of **GENERATION X** ensures maximum use of the carbide and highest possible service life of the pick.

The wear plate of **GENERATION X** causes a slowed-down lengthwise wear and improves the contact surface protection of the toolholder.



The Twin-Stop clamping sleeve of **GENERATION X** ensures optimal tool rotation behaviour thanks to its exact round shape.

Compared to the previous model, the pick shank fracture tendency is minimised in the **GENERATION X** by about 45 %. This is achieved by offsetting or displacing the stops from the centre to the bottom of the pick shank.

# ORIGINAL WIRTGEN PICKS ( $\emptyset = 22 \text{ MM AND } 25 \text{ MM}$ )

## **Picks with 22-mm and 25-mm shank diameters**

Mainly used in machines with mixing rotors, such as the WR 240i or WR 200.

Depending on the grounds and surfaces to be mixed, it is advisable to use different picks. Compared to a pick for road milling machines with 20-mm shank diameter, the cutting tools are much more robust designed due to the wear mechanisms in the pick head. This results from the typical applications which mainly wear out the steel body (head of pick).



## **Picks with cap-shaped carbide tip and 22-mm shank diameter**

All-round tools for all applications in the field of mixing with stabilisation and recycling.

Cap-shaped pick tips lead the material to be mixed or milled around the steel body and protect it thereby against steel body erosion.







#### Picks with cylindrical carbide tips

Used for particularly hard milling materials with high impact loads. Due to the long section of the tip mounted in the steel body, extremely high loads can be absorbed.

When cutting particularly hard surfaces such as concrete, it is recommended that picks with a 22-mm shank diameter are used in addition to ECO Cutter milling drums (line spacing of 20 or 25 mm). As fewer tools are used on this type of milling drum compared with standard milling drums (line spacing of 12 mm, 15 mm or 18 mm), the load per pick increases.





#### Picks with 25-mm shank diameter

Designed for stabilising work, especially with a high proportion of large rocks.






Extremely high impact loads stress particularly the transition from pick head to shank. Therefore, especially for these extreme loads, cutting tools were developed with a shorter head length (e.g. pick W1-15-S/25) that minimise the bending load in this area and thus prevent or even avoid shank fractures ideally.



# ORIGINAL WIRTGEN PICKS GEOMETRY AND CODE LETTERS

Code		Meaning	
W		Wirtgen pick	
Code for cap-shaped carbide tips			Example illustration
W4	with a base diameter 16 mm long (length: 16 mm)		
W5	with a base diameter 17.5 mm long (length: 16 mm)		
W5L	with a base diameter 17.5 mm long (length: 17.5 mm)		
W6	with a base diameter 19 mm long (length: 17.5 mm)		
W6L	with a base diameter 19 mm long (length: 19.5 mm)		
W6C	with a base diameter 19 mm long (length: 10 mm)		
W6M	with a base diameter 19 mm long (length: 18 mm)		
W6ML	with a base diameter 19 mm long (length: 21 mm)		
W7	with a base diameter 20.5 mm long (length: 20.5 mm)		
W8	with a base diameter 22 mm long (length: 20 mm)		
W8M	with a base diameter 22 mm long (length: 21.5 mm)		
Code for cylindrical carbide tips			Example illustration
W1-8	Carbide tip diameter 8 mm (length: 15 mm)		
W1-10	Carbide tip diameter 10 mm (length: 25 mm)		
W1-12	Carbide tip diameter 12 mm (length: 21.7 mm)		
W1-13	Carbide tip diameter 13 mm (length: 25 mm)		
W1-15	Carbide tip diameter 15 mm (length: 24 mm)		
W1-17	Carbide tip diameter 17 mm (length: 28.5 mm)		
W1-19	Carbide tip diameter 19 mm (length: 29 mm)		
Characteristics of the carbide tips			Example illustration
C	Compact	Carbide tip in flat version	
L	Long	Carbide tip in longer version (height)	
M	Massive	No matter what shape: solid carbide tips and hence higher carbide volume than standard tips	













Not applicable to the surface miner pick product range.

Code		Meaning		
Shape of the steel body (of the pick head)			Example illustration	
-G	Groove	Steel body with extractor groove		
-NG	Narrow Groove	Steel body with extractor groove in a slim design		
-V	Voluminous	Steel body in reinforced version (more volume)		
-S	Short	Steel body in shortened version		
Shank diameter data for the pick			Example illustration	
/ 13	Shank diameter corresponds to 13 mm			
/ 20	Shank diameter corresponds to 20 mm			
/ 22	Shank diameter corresponds to 22 mm			
/ 25	Shank diameter corresponds to 25 mm			
Generation identification – development status			Example illustration	
X	Production since August 2013 Optimisations: Shape of the carbide tip, clamping sleeve, wear plate		Examples: see page 14	

Not applicable to the surface miner pick product range.

# PICK RECOMMENDATION FOR ROAD MILLING MACHINES (Ø = 20 MM)



Material to be milled	Dia- meter of carbide	Pick load category with designation, Part No.		0.35 m	0.5 m	1 m (rear)	1 m (front)	2 m mid- range	2 m top- range
		With extractor groove	Without extractor groove						
Asphalt (cap- shaped carbide tips)	W4	 W4-G/20X # 2308094		● ●	● ●	●	○	○	○
	W5L	 W5L-G/20X # 2308097	 W5L/20X # 2314701	○	●	● ●	●	○	○
	W6	 W6-G/20X # 2308099	 W6/20X # 2308098	○	○	●	● ●	●	○
	W6M		 W6M/20X # 2308100	○	○	○	●	● ●	●
	W7	 W7-G/20X # 2308103	 W7/20X # 2308102	○	○	○	○	●	● ●
	W8	 W8-G/20X # 2308105	 W8/20X # 2308104	○	○	○	○	○	●
	Concrete (cylindrical carbide tips)	W1	 W1-10-G/20X # 2218466		● ●	● ●	● ●	● ●	● ●
		 W1-13-G/20X # 2281964		○	○	○	○	●	● ●





● ● Very recommendable    ● Recommendable    ○ Only conditionally recommendable

\* Specifications also valid for "I" machines equipped with new engine technology

# PICK RECOMMENDATION FOR COLD RECYCLERS AND STABILIZERS (Ø = 22 MM)



## Overview of picks for recyclers and pulverizers

Material property	Impact stress (material hardness) increases $\longrightarrow$			
	$\longleftarrow$ Steel body wear (fine component in material) increases			
Shank diameter	22 mm (standard version for Wirtgen cold recycling machines and pulverizers)			
Designation, Part No.	 <b>W6/22</b> # 2064872	 <b>W8M/22</b> # 2088117	 <b>W1-13/22</b> # 2088111	 <b>W1-17/22</b> # 2088112
WR 2000, WR 4200	● ●	●	● ●	●
WR 2400, WR 240, WR 2500, WR 2500 S	●	● ●	●	● ●

## Overview of picks for stabilizers

Material property	Impact stress (broken stone component) increases $\longrightarrow$				
	$\longleftarrow$ Steel body wear (fine component in material) increases				
Shank diameter	22 mm (standard version for Wirtgen stabilizers)				
Designation, Part No.	 <b>W6/22</b> # 2064872	 <b>W8M/22</b> # 2088117	 <b>W6C/22</b> # 2064870	 <b>W1-13/22</b> # 2088111	 <b>W1-17/22</b> # 2088112
WR 2000, Raco 350, WR 4200	● ●	●	●	● ●	●
WR 2400, WR 240, WR 2500, WR 2500 S	●	● ●	●	●	● ●
WS 2000, WS 2500, WS 220, WS 250	● ●	●	●	● ●	●

● ● Very recommendable

● Recommendable

\* Specifications also valid for "i" machines equipped with new engine technology





# DELIVERY RANGE OF PICKS FOR ROAD MILLING MACHINES (Ø = 13 MM AND 20 MM)



Pick description	Carbide tip of pick	Part No. (per unit)	Quantity per toolbox	Weight per toolbox (kg)	Quantity standard pallet (overseas pallet)	Page
<b>Top-selling picks for road milling machines</b>						
W4-G/20X	 19.7 g	2308094	50	14.85	3000 (2700)	Page 25
W5L-G/20X	 26.2 g	2308097	50	15.90	3000 (2700)	Page 26
W5L/20X	 26.2 g	2314701	50	16.35	3000 (2700)	Page 26
W6-G/20X	 30.1 g	2308099	50	16.30	3000 (2700)	Page 27
W6/20X	 30.1 g	2308098	50	16.50	3000 (2700)	Page 26
W6M/20X	 36.2 g	2308100	50	16.80	3000 (2700)	Page 28
W7-G/20X	 41.3 g	2308103	50	16.25	3000 (2700)	Page 29
W7/20X	 41.3 g	2308102	50	16.60	3000 (2700)	Page 29
W8-G/20X	 48.4 g	2308105	50	16.25	3000 (2700)	Page 30
W8/20X	 48.4 g	2308104	50	16.95	3000 (2700)	Page 30
W1-10-G/20X	 24.4 g	2218466	50	15.80	3000 (2700)	Page 24
W1-13-G/20X	 38.3 g	2281964	50	17.35	3000 (2700)	Page 25
<b>Application-specific solutions</b>						
W4/13	 19.7 g	182598	200	19.30	12000 (10800)	Page 24
W6L-G/20X	 32.8 g	2314698	50	16.20	3000 (2700)	Page 28
W6L/20X	 32.8 g	2314699	50	16.85	3000 (2700)	Page 27
W6ML-G/20X	 41.0 g	2218488	50	16.65	3000 (2700)	Page 28
W1-8/13	 8.9 g	193701	200	19.10	12000 (10800)	Page 24
W1-10-NG/20X	 24.4 g	2218467	50	14.20	3000 (2700)	Page 25

# DELIVERY RANGE OF PICKS FOR COLD RECYCLERS AND STABILIZERS (Ø = 20 MM TO 25 MM)

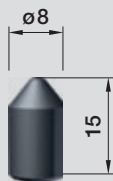
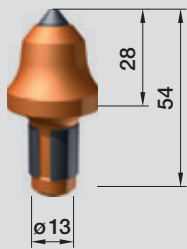


Pick description	Carbide tip of pick	Part No. (per unit)	Quantity per toolbox	Weight per toolbox (kg)	Quantity standard pallet (overseas pallet)	Page
<b>Top-selling picks for cold recyclers and stabilizers</b>						
W6/22	 30.1 g	2064872	40	16.5	2400 (2160)	Page 31
W8M/22	 43.0 g	2088117	40	17.2	2400 (2160)	Page 32
W6C/22	 22.0 g	2064870	40	16.1	2400 (2160)	Page 31
W1-13/22	 38.3 g	2088111	40	18.0	2400 (2160)	Page 30
W1-17/22	 74.4 g	2088112	40	18.6	2400 (2160)	Page 31
<b>Application-specific solutions</b>						
W6-V/20X	 30.1 g	2344280	40	14.8	2400 (2160)	Page 29
W6C-V/20X	 22.0 g	2218489	40	14.5	2400 (2160)	Page 27
W6C/25	 22.0 g	2143486	15	10.8	900 (810)	Page 33
W8M/25	 43.0 g	2143236	15	10.5	900 (810)	Page 33
W1-13-S/25	 38.3 g	2218500	15	9.8	900 (810)	Page 32
W1-15/25	 47.2 g	2143497	15	10.8	900 (810)	Page 32

# ORIGINAL WIRTGEN PICK DETAILS

W1-8/13

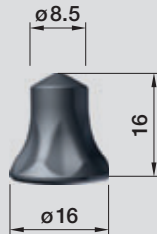
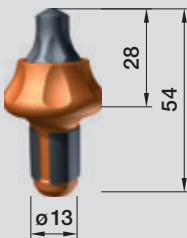
Part No.: 193701



Type	Code
W1	Cylindrical carbide tip for removing concrete
-8	8 mm carbide tip diameter
/13	Held in the toolholder bore with a shank diameter of 13 mm

W4/13

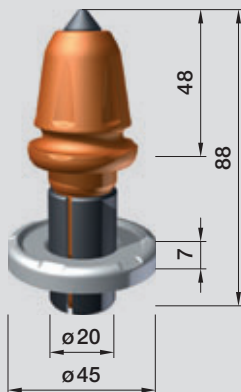
Part No.: 182598



Type	Code
W4	Cap-shaped carbide tip for removing asphalt layers
/13	Held in the toolholder bore with a shank diameter of 13 mm

W1-10-G/20X

Part No.: 2218466

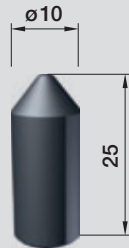
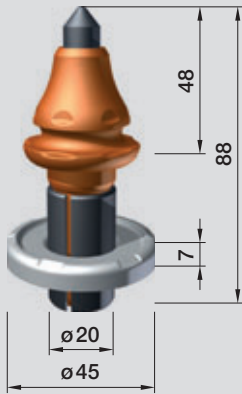


Type	Code
W1	Cylindrical carbide tip for removing concrete
-10	10 mm carbide tip diameter
-G	Slim steel body with extractor groove as a dismantling aid
/20	Held in the toolholder bore with a shank diameter of 20 mm
X	Generation identification

Unit of measurement in mm

**W1-10-NG/20X**

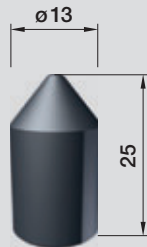
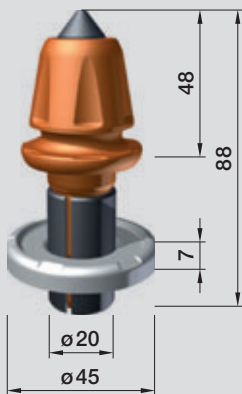
Part No.: 2218467



Type	Code
W1	Cylindrical carbide tip for removing concrete
-10	10 mm carbide tip diameter
-NG	Slim steel body with extractor groove as a dismantling aid for overall improved penetration capacity
/20	Held in the toolholder bore with a shank diameter of 20 mm
X	Generation identification

**W1-13-G/20X**

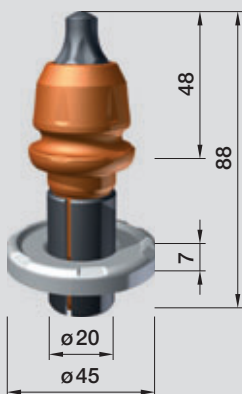
Part No.: 2281964



Type	Code
W1	Cylindrical carbide tip for removing concrete
-13	13 mm carbide tip diameter
-G	Slim steel body with extractor groove as a dismantling aid
/20	Held in the toolholder bore with a shank diameter of 20 mm
X	Generation identification

**W4-G/20X**

Part No.: 2308094



Type	Code
W4	Cap-shaped carbide tip for removing asphalt layers
-G	Slim steel body with extractor groove as a dismantling aid
/20	Held in the toolholder bore with a shank diameter of 20 mm
X	Generation identification

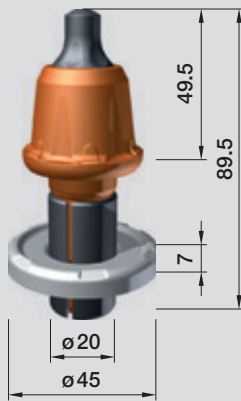
Unit of measurement in mm



# ORIGINAL WIRTGEN PICK DETAILS

W5L/20X

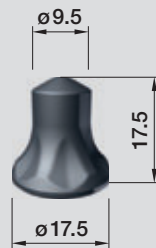
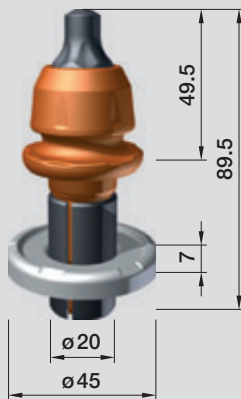
Part No.: 2314701



Type	Code
W5	Cap-shaped carbide tip for removing asphalt layers
L	Long carbide tip for long-lasting cutting performance
/20	Held in the toolholder bore with a shank diameter of 20 mm
X	Generation identification

W5L-G/20X

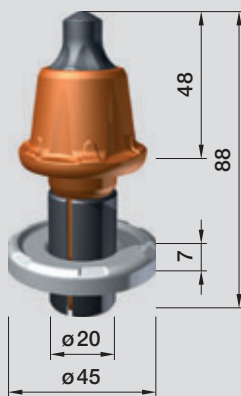
Part No.: 2308097



Type	Code
W5	Cap-shaped carbide tip for removing asphalt layers
L	Long carbide tip for long-lasting cutting performance
-G	Slim steel body with extractor groove as a dismantling aid
/20	Held in the toolholder bore with a shank diameter of 20 mm
X	Generation identification

W6/20X

Part No.: 2308098

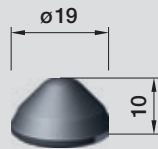
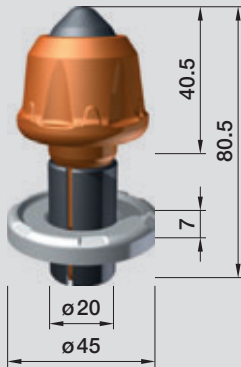


Type	Code
W6	Cap-shaped carbide tip for removing asphalt layers
/20	Held in the toolholder bore with a shank diameter of 20 mm
X	Generation identification

Unit of measurement in mm

**W6C-V / 20X**

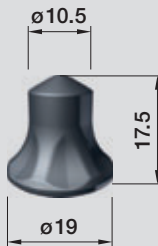
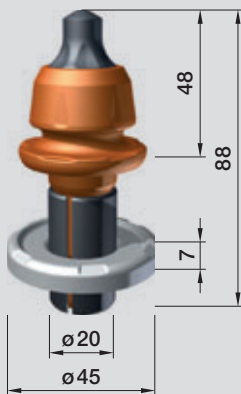
Part No.: 2218489



Type	Code
W6	Cap-shaped carbide tip for mixing soils with small pieces of rock
C	Flat carbide tip for increased break resistance
-V	Increased volume steel body
/20	Held in the toolholder bore with a shank diameter of 20 mm
X	Generation identification

**W6-G / 20X**

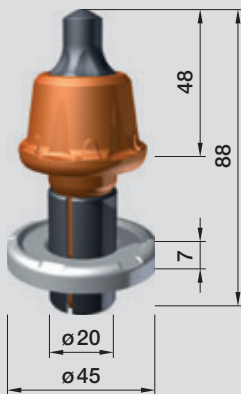
Part No.: 2308099



Type	Code
W6	Cap-shaped carbide tip for removing asphalt layers
-G	Slim steel body with extractor groove as a dismantling aid
/20	Held in the toolholder bore with a shank diameter of 20 mm
X	Generation identification

**W6L / 20X**

Part No.: 2314699



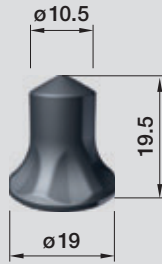
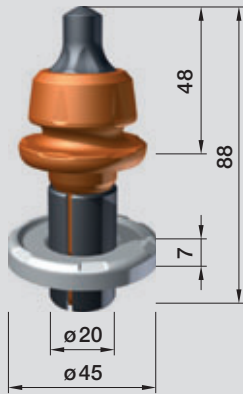
Type	Code
W6	Cap-shaped carbide tip for removing asphalt layers
L	Long carbide tip for long-lasting cutting performance
/20	Held in the toolholder bore with a shank diameter of 20 mm
X	Generation identification

Unit of measurement in mm

# ORIGINAL WIRTGEN PICK DETAILS

W6L-G / 20X

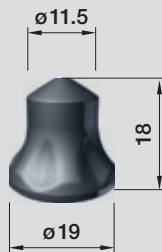
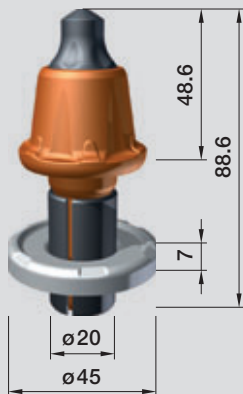
Part No.: 2314698



Type	Code
W6	Cap-shaped carbide tip for removing asphalt layers
L	Long carbide tip for long-lasting cutting performance
-G	Slim steel body with extractor groove as a dismantling aid
/20	Held in the toolholder bore with a shank diameter of 20 mm
X	Generation identification

W6M / 20X

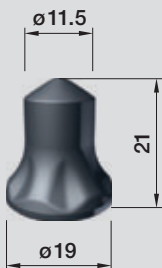
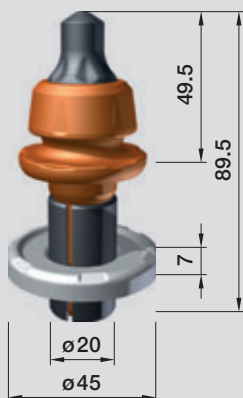
Part No.: 2308100



Type	Code
W6	Cap-shaped carbide tip for removing asphalt layers
M	Solid carbide tip for increased break resistance
/20	Held in the toolholder bore with a shank diameter of 20 mm
X	Generation identification

W6ML-G / 20X

Part No.: 2218488

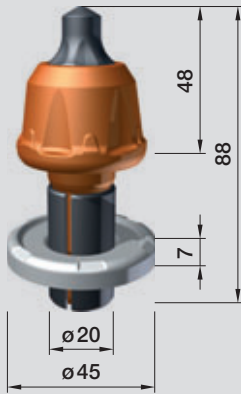


Type	Code
W6	Cap-shaped carbide tip for removing asphalt layers
M	Solid carbide tip for increased break resistance
L	Long carbide tip for long-lasting cutting performance
-G	Slim steel body with extractor groove as a dismantling aid
/20	Held in the toolholder bore with a shank diameter of 20 mm
X	Generation identification

Unit of measurement in mm

**W6-V / 20X**

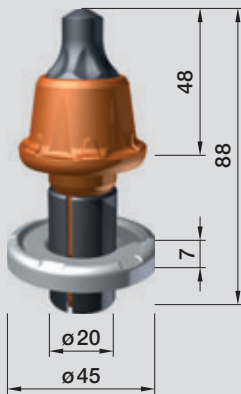
Part No.: 2344280



Type	Code
W6	Cap-shaped carbide tip for removing asphalt layers
-V	Increased volume steel body
/20	Held in the toolholder bore with a shank diameter of 20 mm
X	Generation identification

**W7 / 20X**

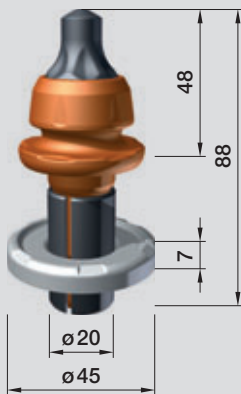
Part No.: 2308102



Type	Code
W7	Cap-shaped carbide tip for removing asphalt layers
/20	Held in the toolholder bore with a shank diameter of 20 mm
X	Generation identification

**W7-G / 20X**

Part No.: 2308103



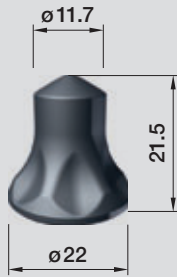
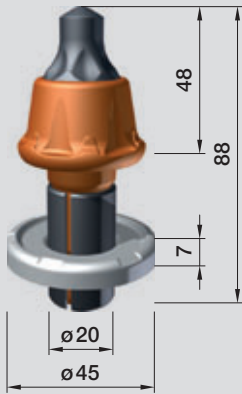
Type	Code
W7	Cap-shaped carbide tip for removing asphalt layers
-G	Slim steel body with extractor groove as a dismantling aid
/20	Held in the toolholder bore with a shank diameter of 20 mm
X	Generation identification

Unit of measurement in mm

# ORIGINAL WIRTGEN PICK DETAILS

W8 / 20X

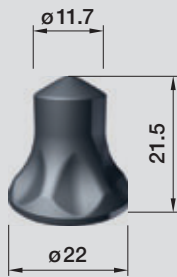
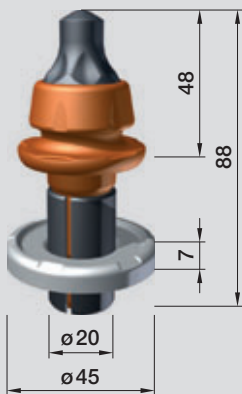
Part No.: 2308104



Type	Code
W8	Cap-shaped carbide tip for removing asphalt layers
/20	Held in the toolholder bore with a shank diameter of 20 mm
X	Generation identification

W8-G / 20X

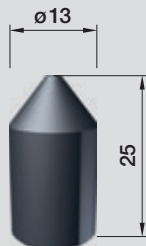
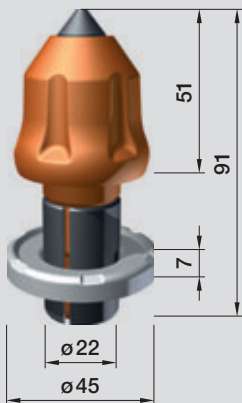
Part No.: 2308105



Type	Code
W8	Cap-shaped carbide tip for removing asphalt layers
-G	Slim steel body with extractor groove as a dismantling aid
/20	Held in the toolholder bore with a shank diameter of 20 mm
X	Generation identification

W1-13 / 22

Part No.: 2088111

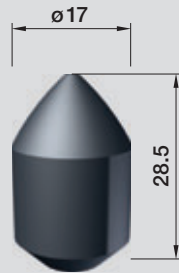
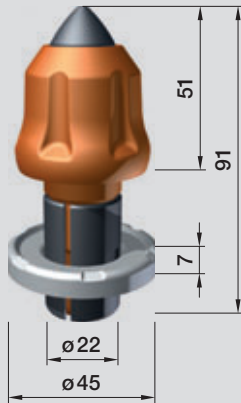


Type	Code
W1	Cylindrical carbide tip for mixing increasingly rocky soils
-13	13 mm carbide tip diameter
/22	Held in the toolholder bore with a shank diameter of 22 mm

Unit of measurement in mm

W1-17/22

Part No.: 2088112



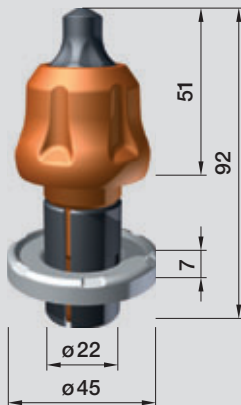
74.4 g



Type	Code
W1	Cylindrical carbide tip for mixing increasingly rocky soils
-17	17 mm carbide tip diameter
/22	Held in the toolholder bore with a shank diameter of 22 mm

W6/22

Part No.: 2064872



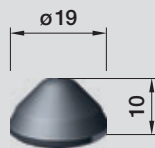
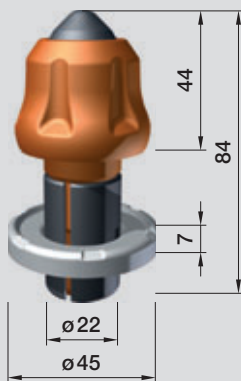
30.1 g



Type	Code
W6	Cap-shaped carbide tip for mixing compact soils
/22	Held in the toolholder bore with a shank diameter of 22 mm

W6C/22

Part No.: 2064870



22.0 g



Type	Code
W6	Cap-shaped carbide tip for mixing soils with small to medium-sized pieces of rock
C	Flat carbide tip for increased break resistance
/22	Held in the toolholder bore with a shank diameter of 22 mm

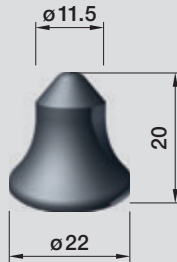
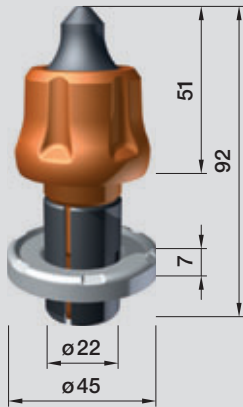
Unit of measurement in mm



# ORIGINAL WIRTGEN PICK DETAILS

W8M/22

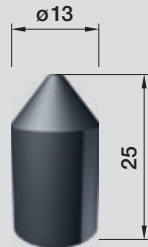
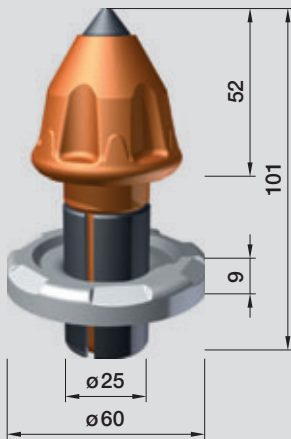
Part No.: 2088117



Type	Code
W8	Cap-shaped carbide tip for mixing compact soils
M	Flat carbide tip for increased break resistance
/22	Held in the toolholder bore with a shank diameter of 22 mm

W1-13-S/25

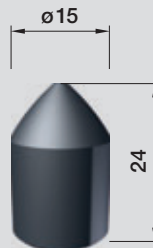
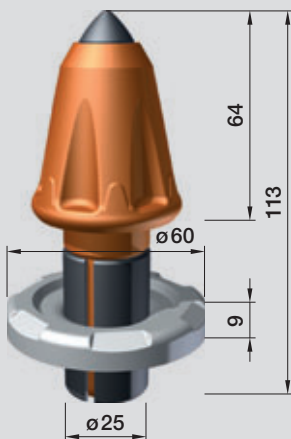
Part No.: 2218500



Type	Code
W1	Cylindrical carbide tip for mixing increasingly rocky soils
-13	13 mm carbide tip diameter
-S	Solid carbide tip for increased break resistance
/25	Held in the toolholder bore with a shank diameter of 25 mm

W1-15/25

Part No.: 2143497

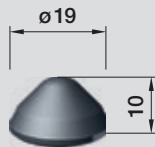
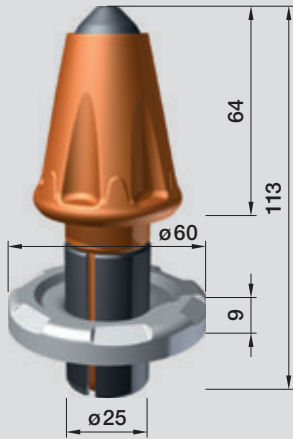


Type	Code
W1	Cylindrical carbide tip for mixing increasingly rocky soils
-15	15 mm carbide tip diameter
/25	Held in the toolholder bore with a shank diameter of 25 mm

Unit of measurement in mm

**W6C/25**

Part No.: 2143486



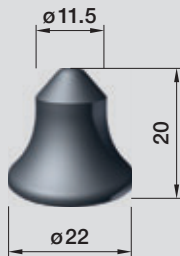
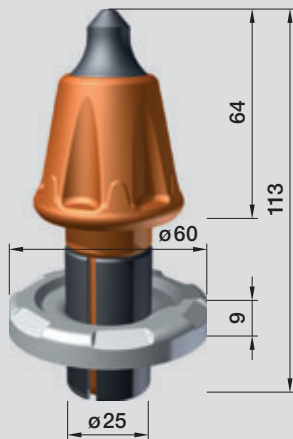
22.0 g



Type	Code
W6	Cap-shaped carbide tip for mixing soils with small to medium-sized pieces of rock
C	Flat carbide tip for increased break resistance
/25	Held in the toolholder bore with a shank diameter of 25 mm

**W8M/25**

Part No.: 2143236



43.0 g



Type	Code
W8	Cap-shaped carbide tip for mixing compact soils
M	Solid carbide tip for increased break resistance
/25	Held in the toolholder bore with a shank diameter of 25 mm

Unit of measurement in mm

# ORIGINAL WIRTGEN SURFACE MINER PICKS ( $\emptyset = 38/30$ MM AND 42 MM)

## Picks with 38/30-stepped shank

Used in HT6 holder systems. These tools are the classic alternative that can be secured with a simple retaining ring (code "LR", see also page 37) or in some cases, depending on the pick shank design, through a so-called clip ring (code "CR", see also page 37), which is much more robust designed.

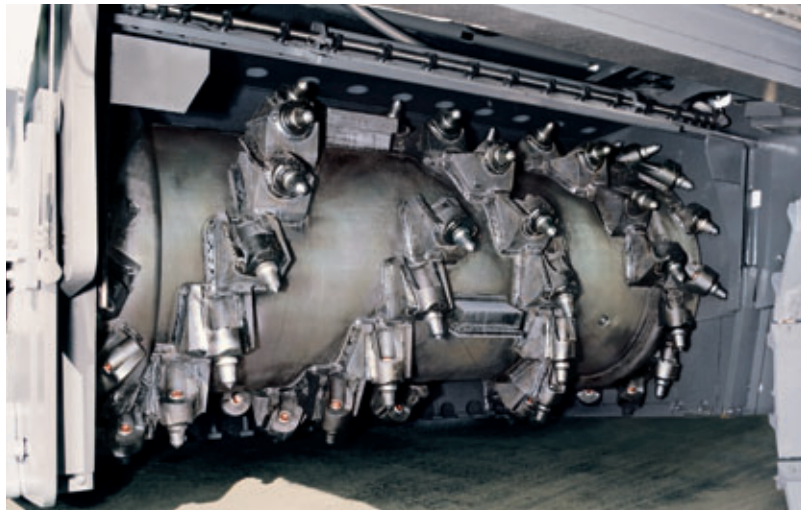
## Picks with 42-mm shank diameter

Usually equipped with clamping sleeves and used in the HT14 toolholder system. These tools are installed in the holder using a (copper) hammer. The familiar clamping sleeve and wear plate construction should be used for frequently necessary changes, i. e. when cutting hard and wear-intensive materials.

With a small carbide tip and carbide wear, the use of 42-mm picks with smooth shank and retaining ring (code "LR") is possible because this safety element is less susceptible to wear.

Due to the variety of materials to be cut and the resulting requirements, it is differentiated between three different safety elements for surface miner picks. For example, the clamping sleeve provides for a fast tool change and causes the least bore wear in the toolholder.

The retaining ring with code "LR" is the more favourable alternative, the clip ring with code "CR" on the other hand, the more robust version of the retaining ring.





The picks WSM2-17-90/42 with mushroom-shaped tips are used in Russia due to the fluctuating characteristic of lime stone from hard to soft. The head length of the tool is 90 mm, which increases the proportion of the coarse grain.

Due to the material properties of the coal ore, picks WSM3-24-77/38/30LR with cap-shaped carbide tips are used in India. This pick is installed in milling drums with HT6 (stepped shank 38/30 mm) and fixed using a retaining ring.

The above-mentioned applications and the materials to be cut show that different carbide geometries are also used in surface mining. Cap-shaped carbide tips ("WSM3") protect the steel body against erosion, cylindrical carbide tips ("WSM1") are used in hard materials. The mushroom-shaped tip ("WSM2"), in simple terms, combines both properties, advantages and disadvantages



# ORIGINAL WIRTGEN SURFACE MINER PICKS GEOMETRY AND CODE LETTERS

Code		Meaning	
WSM		Wirtgen Surface Miner	
Code for carbide tips		Example illustration	
WSM1	Cylindrical tip		
WSM2	Mushroom-shaped tip		
WSM3	Cap-shaped tip		
Diameter information for carbide tips		Example illustration	
-13	Carbide tip diameter 13 mm		
-15	Carbide tip diameter 15 mm		
-17	Carbide tip diameter 17 mm		
-19	Carbide tip diameter 19 mm		
-22	Carbide tip diameter 22 mm		
-25	Carbide tip diameter 25 mm		
Characteristics of the carbide tip shape		Example illustration	
L	Long	Carbide tip in longer version (height)	



Code		Meaning		
Shape of the steel body (of the pick head)				Example illustration
-P	Protected	Armouring of the tool head to increase the service life		
-90 (Zahl)	90-mm pick head length	The number after the second dash is the length of the miner pick head in mm, if it differs from the standard (in the example: length of the left pick head 90 mm, of the right pick head 77 mm).		
Shank diameter data for the pick				Example illustration
/38/30	Stepped shank diameter from 38 mm to 30 mm			
/42	Shank diameter 42 mm			
Fixing element of the pick				Example illustration
LR	Locking Ring	Miner pick fixing with retainer ring. (Part No. 155281; included in delivery).		
CR	Clip Ring	Miner pick fixing with in-house developed clip ring. (Part No. 228282; included in delivery).		
not specified	If there is no coding located behind the shank diameter data, the miner pick is equipped with a clamping sleeve which secures it in the toolholder system.			



# PICK RECOMMENDATION FOR SURFACE MINERS



Close to  
our customers

## Applications

The applications listed here are guide numbers. The cuttability, cutting performance and pick wear depend upon the uniaxial pressure strength, the tensile strength, abrasiveness, crevasse formation and inhomogeneity.

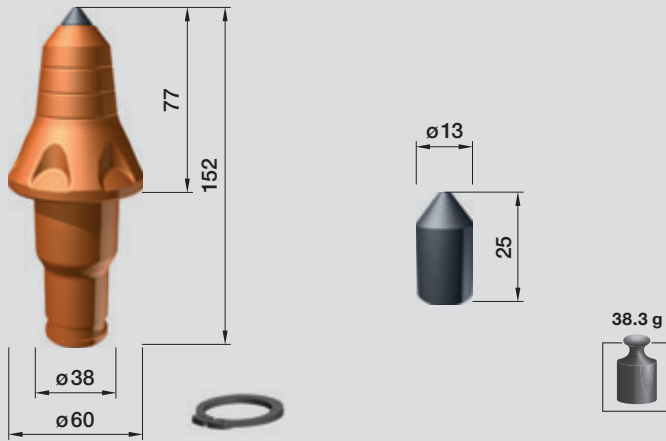
Can be used for the following holder systems	Soft layers	Medium-hard layers	Hard layers	Very hard layers
	Asphalt Sand Clay Lignite Salt	Concrete Shelly limestone Soft limestone Gypsum Marl Shale Hard anthracite Bauxite	Granolithic concrete Limestone	Hard limestone Hard sandstone Iron ore Dolomite
	Compressive strength 0 - 20 N/mm <sup>2</sup>	Compressive strength 20 - 50 N/mm <sup>2</sup>	Compressive strength 50 - 80 N/mm <sup>2</sup>	Compressive strength > 80 N/mm <sup>2</sup>
HT06, HT6	WSM1-13-77/38/30LR Part No.: 95744 Page 39	WSM1-17-77/38/30LR Part No.: 48350 Page 40	WSM1-19-77/38/30LR Part No.: 70225 Page 41	
	WSM1-15-77/38/30LR Part No.: 47571 Page 39			
	WSM1-15-90/38/30CR Part No.: 2218490 Page 40	WSM1-17L-90/37/29CR Part No.: 2199767 Page 41		
HT14, HT15	WSM1-15-77/42 Part No.: 2143234 Page 39	WSM1-17-77/42 Part No.: 2112487 Page 40	WSM1-19-77/42 Part No.: 2100411 Page 41	WSM1-25-77P/42 Part No.: 2100415 Page 42
		WSM2-17-90P/42 Part No.: 2234194 Page 42	WSM1-22-77P/42 Part No.: 2091737 Page 42	

# ORIGINAL WIRTGEN PICK DETAILS FOR SURFACE MINERS



WSM1-13-77/38/30LR

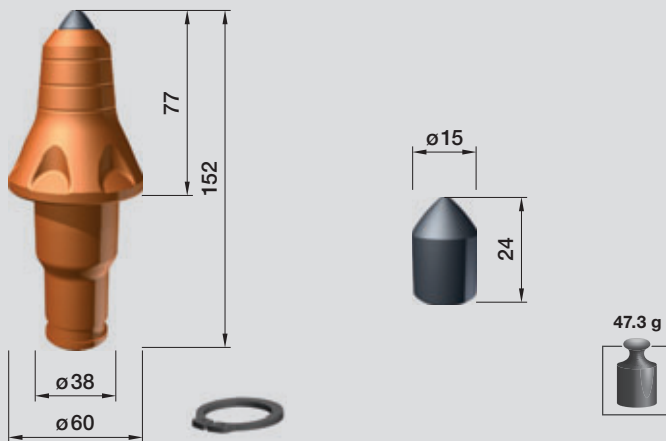
Part No.: 95744



Type	Meaning
WSM1	Cylindrical carbide tip
-13	13 mm carbide tip diameter
-77	77 mm pick head length
/38/30	Stepped shank diameter from 38 mm to 30 mm
LR	Pick fixing with retainer ring; Part No. 155281

WSM1-15-77/38/30LR

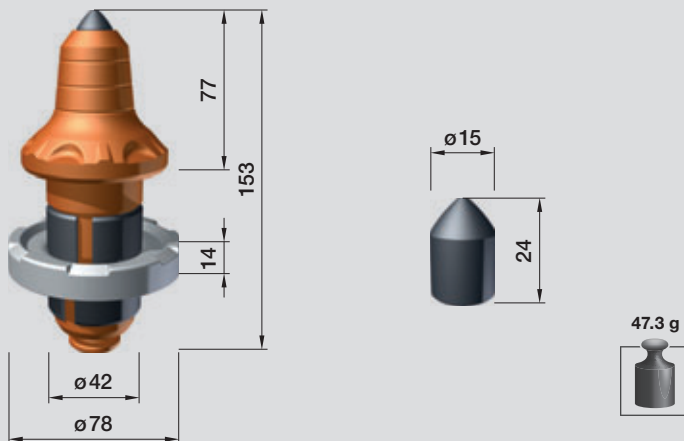
Part No.: 47571



Type	Meaning
WSM1	Cylindrical carbide tip
-15	15 mm carbide tip diameter
-77	77 mm pick head length
/38/30	Stepped shank diameter from 38 mm to 30 mm
LR	Pick fixing with retainer ring; Part No. 155281

WSM1-15-77/42

Part No.: 2143234

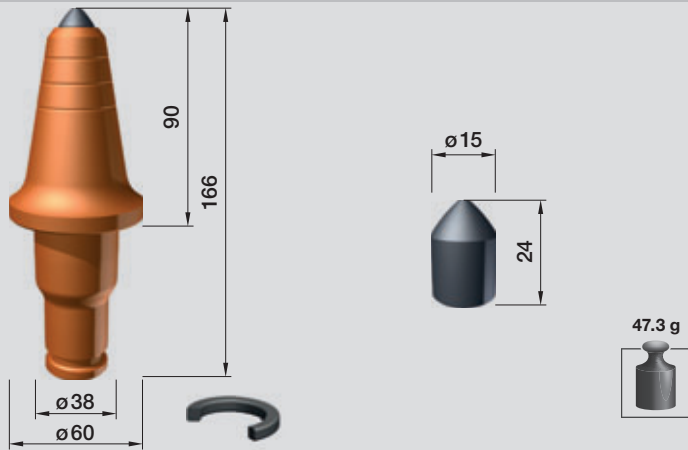


Type	Meaning
WSM1	Cylindrical carbide tip
-15	15 mm carbide tip diameter
-77	77 mm pick head length
/42	42 mm shank diameter

# ORIGINAL WIRTGEN PICK DETAILS FOR SURFACE MINERS

WSM1-15-90/38/30CR

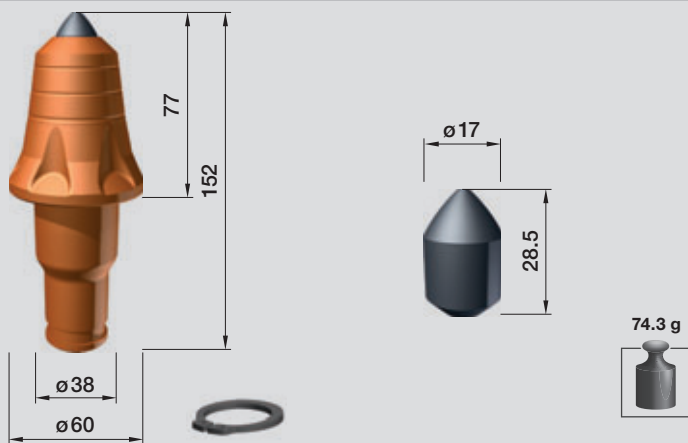
Part No.: 2218490



Type	Meaning
WSM1	Cylindrical carbide tip
-15	15 mm carbide tip diameter
-90	90 mm pick head length
/38/30	Stepped shank diameter from 38 mm to 30 mm
CR	Pick fixing with clip ring; Part No. 2282852

WSM1-17-77/38/30LR

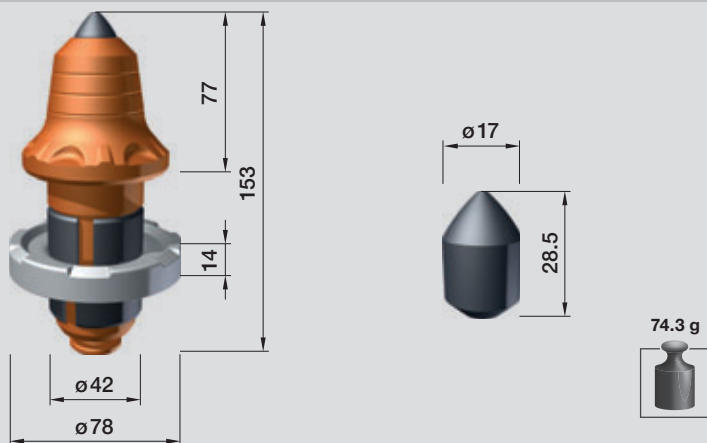
Part No.: 48350



Type	Meaning
WSM1	Cylindrical carbide tip
-17	17 mm carbide tip diameter
-77	77 mm pick head length
/38/30	Stepped shank diameter from 38 mm to 30 mm
LR	Pick fixing with retainer ring; Part No. 155281

WSM1-17-77/42

Part No.: 2112487

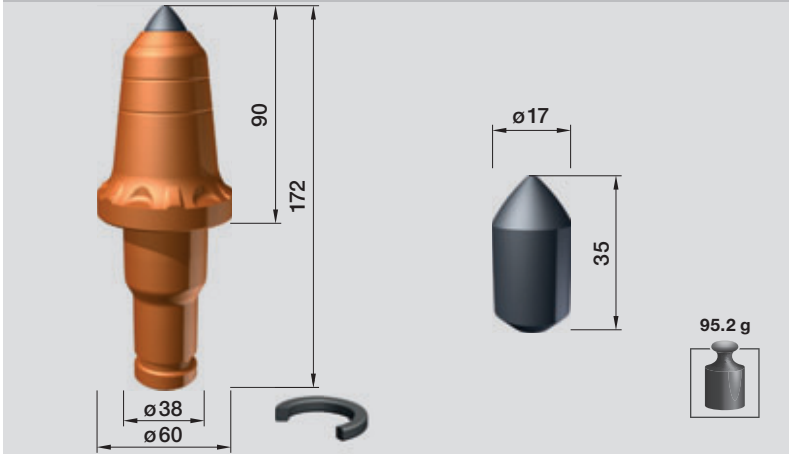


Type	Meaning
WSM1	Cylindrical carbide tip
-17	17 mm carbide tip diameter
-77	77 mm pick head length
/42	42 mm shank diameter

Unit of measurement in mm

**WSM1-17L-90/37/29CR**

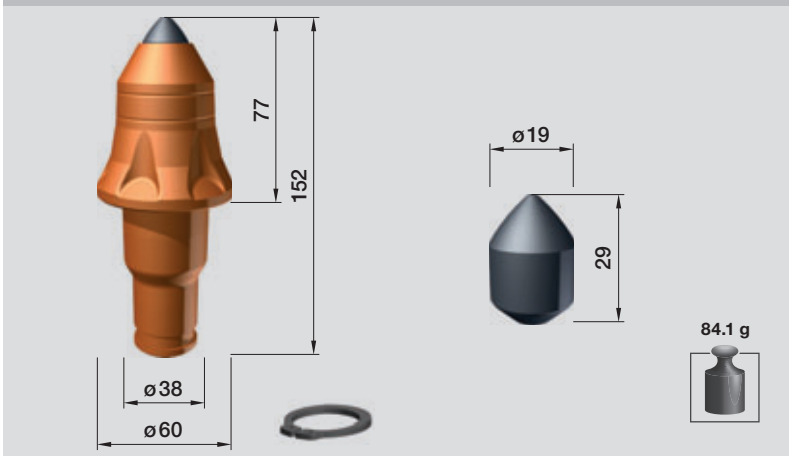
Part No.: 2199767



Type	Meaning
WSM1	Cylindrical carbide tip
-17L	17 mm carbide tip diameter, L for longer version
-90	90 mm pick head length
/37/29	Stepped shank diameter from 37 mm to 29 mm
CR	Pick fixing with clip ring; Part No. 2282852

**WSM1-19-77/38/30LR**

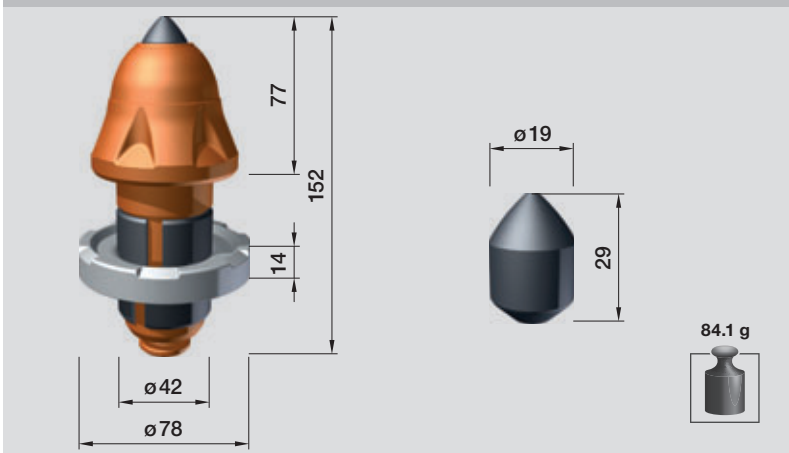
Part No.: 70225



Type	Meaning
WSM1	Cylindrical carbide tip
-19	19 mm carbide tip diameter
-77	77 mm pick head length
/38/30	Stepped shank diameter from 38 mm to 30 mm
LR	Pick fixing with retainer ring; Part No. 155281

**WSM1-19-77/42**

Part No.: 2100411



Type	Meaning
WSM1	Cylindrical carbide tip
-19	19 mm carbide tip diameter
-77	77 mm pick head length
/42	42 mm shank diameter

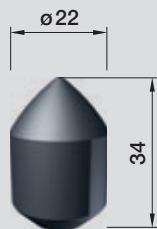
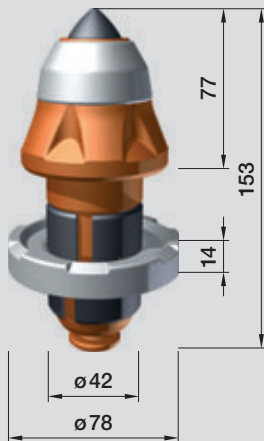
Unit of measurement in mm



# ORIGINAL WIRTGEN PICK DETAILS FOR SURFACE MINERS

WSM1-22-77P/42

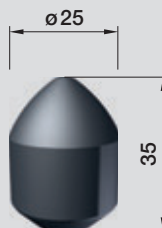
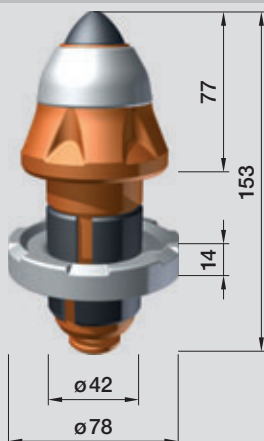
Part No.: 2091737



Type	Meaning
WSM1	Cylindrical carbide tip
-22	22 mm carbide tip diameter
-77	77 mm pick head length
P	Armoured pick head
/42	42 mm shank diameter

WSM1-25-77P/42

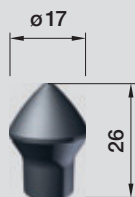
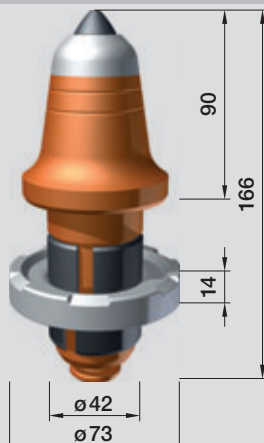
Part No.: 2100415



Type	Meaning
WSM1	Cylindrical carbide tip
-25	25 mm carbide tip diameter
-77	77 mm pick head length
P	Armoured pick head
/42	42 mm shank diameter

WSM2-17-90P/42

Part No.: 2234194



Type	Meaning
WSM2	Mushroom-shaped carbide tip
-17	17 mm carbide tip diameter
-90	90 mm pick head length
P	Armoured pick head
/42	42 mm shank diameter

Unit of measurement in mm





# ORIGINAL WIRTGEN PICK TOOLHOLDER SYSTEMS – THE BENCHMARK IN QUALITY AND COST

## **Philosophy of the Wirtgen quick-change toolholder system**

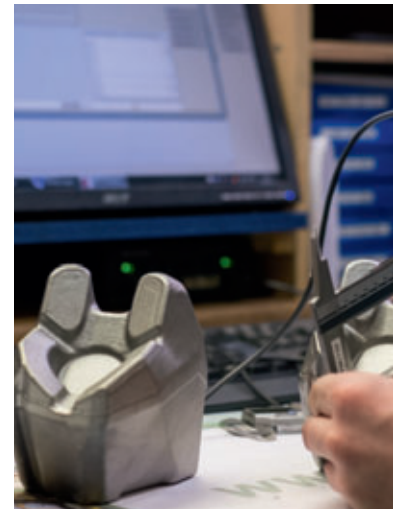
Based on the idea of replacing worn or defective toolholder upper parts as quickly as possible directly on-site, and thereby substantially reducing machine downtimes, Wirtgen has been developing so-called quick-change toolholder systems for road milling machines and recyclers since 1990. They primarily consist of two parts: the bottom part of the toolholder, welded to the milling drum tube, and the toolholder, connected to the housing by a quick-release bolt connection.

Constant further development has produced different generations of quick-change toolholder systems which are all distinguishable due to their unique zigzag shape.



## **Forging and machining production processes**

High-quality hardened and heat-treated steels are processed in the forging process. Their wear resistance, the special heat treatment and years of production expertise form the basis for the excellent toolholder quality and guarantee an ideal service life and fracture resistance. In order to produce component dimensions as exactly as possible, extremely tight tolerances are adhered to during the production process.



## **Heat treating and hardening**

Both the high hardness and the necessary toughness are important characteristics for a low wear. Using the most up-to-date production and testing methods, Wirtgen continuously produces toolholders in a constant quality and thus guarantees optimum service lifetimes for the quick-change toolholder systems.

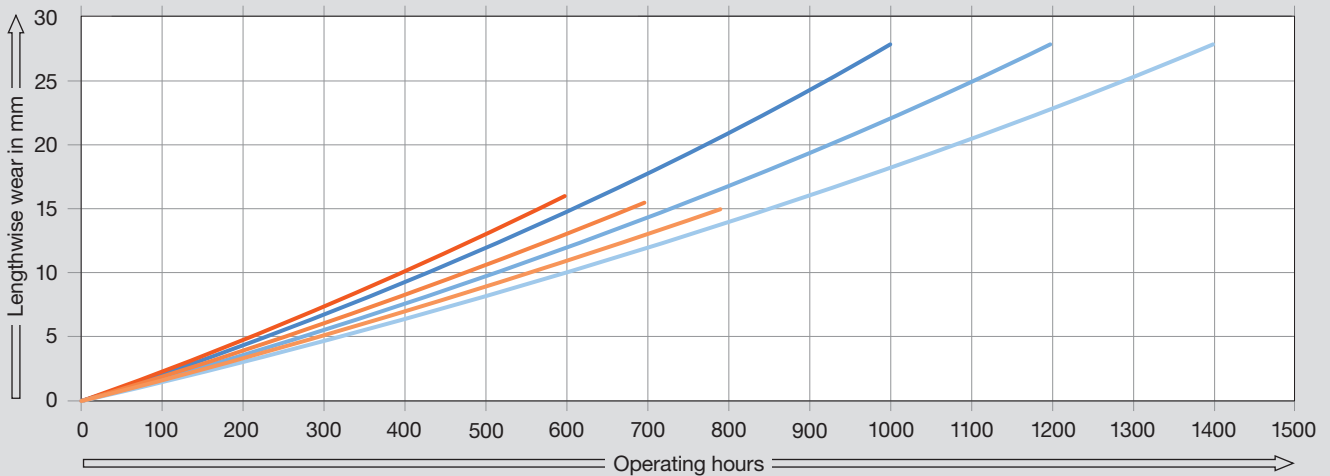
## **Development of the Wirtgen quick-change toolholder systems**

In the design and development phase, the most modern examination methods and computer simulations such as the finite element method (FEM) are applied. Component behaviour can be determined and optimised even at this early stage of the simulation. Long and extensive tests are performed in parallel under maximum loads and in extreme situations.

### Lengthwise wear on the toolholder over operating hours

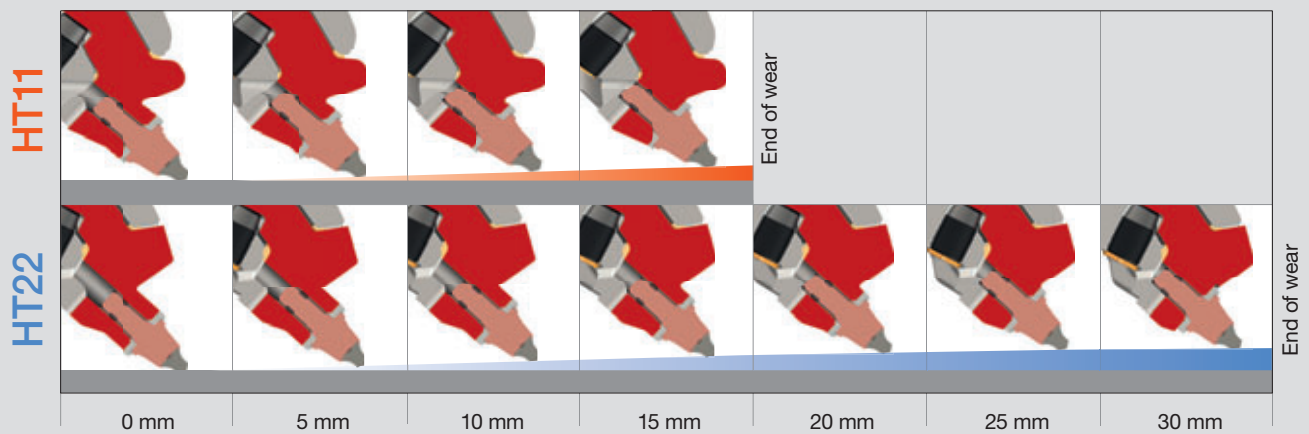
Thanks to the 100% increase in the maximum wear path, the service life of the toolholder can be as much as 1000 hours under optimum conditions.

- HT22 Higher lengthwise wear
- HT22 Moderate lengthwise wear
- HT22 Lower lengthwise wear
- HT11 Higher lengthwise wear
- HT11 Moderate lengthwise wear
- HT11 Lower lengthwise wear



### Upper part wear

The new HT22 quick-change toolholder system's maximum effective wear length is 30 mm. This means it is twice as large as the HT11 quick-change toolholder system's wear length.





# ORIGINAL WIRTGEN QUICK-CHANGE TOOLHOLDER SYSTEM HT22

The quick-change toolholder system HT22 is characterised primarily by an increased wear resistance. The system's especially long service life makes itself apparent on the construction site by a considerable reduction of the replacement intervals. A characteristic feature is the prismatic arranged contact surface.

The seals between the upper and bottom part ease disassembly. Wirtgen furthermore offers a lubricating grease which protects the quick-change toolholder from corrosion (refer to page 188).



- 1** Larger intervals for torque control at the quick-change toolholder screws (every 500 hours) reduce maintenance enormously.
- 2** Significantly larger, more robust and self-centring contact surfaces of the upper to bottom part ensure a longer service life of the milling drums.
- 3** A larger shank cross section and optimised shank geometry provide increased resistance to breakage.
- 4** Higher pretension through optimised screw position for reliable system pretension of the upper part in the bottom part.
- 5** Upper part service life is extended by the enormously increased, maximum wear path.





A



B



C



D



E

A Toolholder HT22  
Ø 20 mm  
Part No.: 2198001

B Toolholder HT22  
Ø 22 mm  
Part No.: 2198002

C Toolholder HT22  
Ø 25 mm  
Part No.: 2198003

D Dummy HT22  
Part No.: 2198005

E Retainer screw for HT22  
M30x2  
Part No.: 158501

F Plug HT22  
Individual  
Part No.: 2197999  
100 pieces  
Part No.: 2197988

G Bottom part seal  
Individual  
Part No.: 2198006  
100 pieces  
Part No.: 2197989



F



G

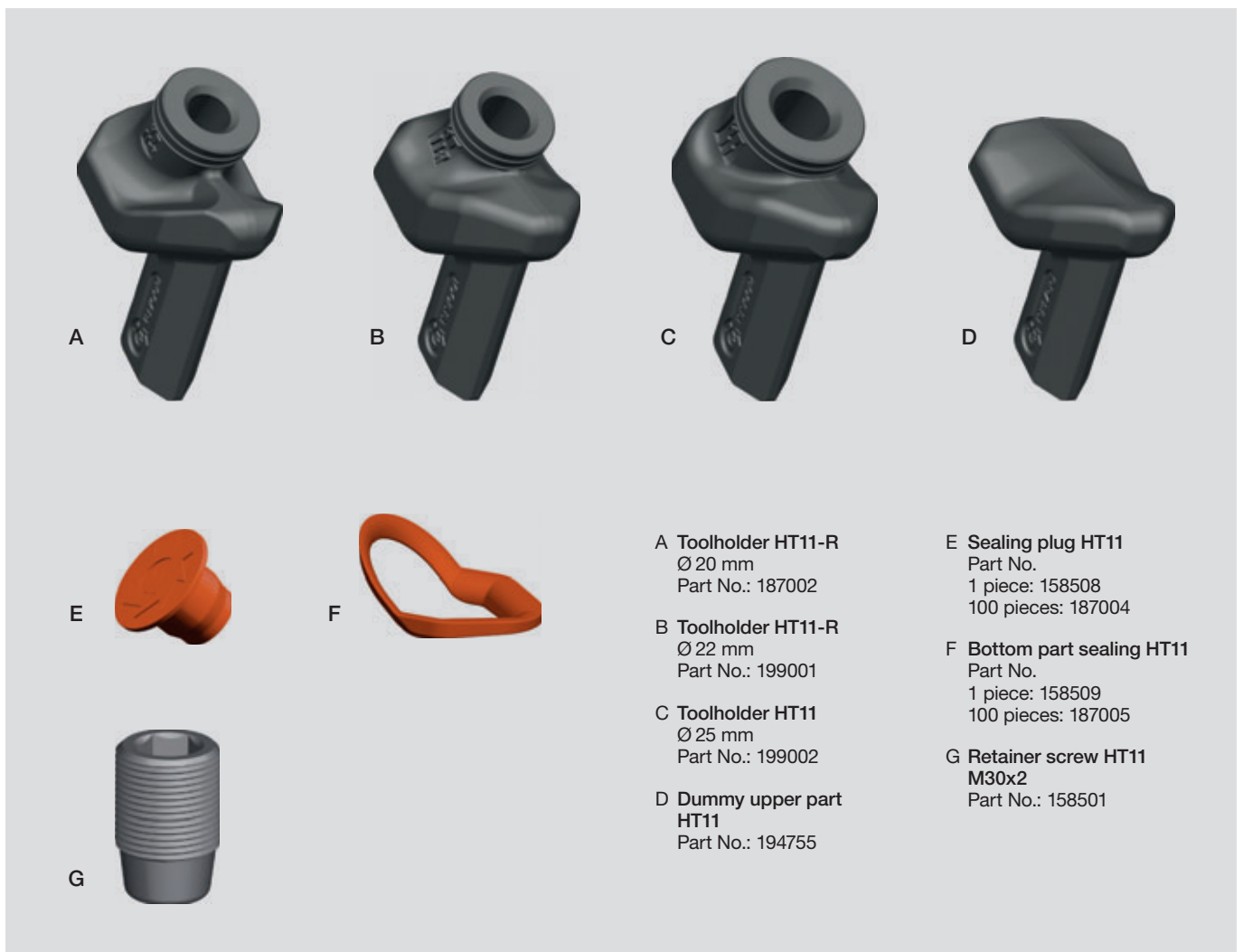
# ORIGINAL WIRTGEN QUICK-CHANGE TOOLHOLDER SYSTEM HT11 FOR MILLING MACHINES, COLD RECYCLERS AND SOIL STABILIZERS



## HT11

Due to the large contact surface of the upper part to completely cover that of the bottom part ensures a tight fit between the two. During the milling process a seal prevents fine dirt particles settling between the parts.

On the upper part HT11-R, the groove in the rear area of the upper portion washes the fine milling particles out of the bore. This prevents the sticking of the pick in the hole much as possible the pick can be used considerably longer, with better rotation behaviour.

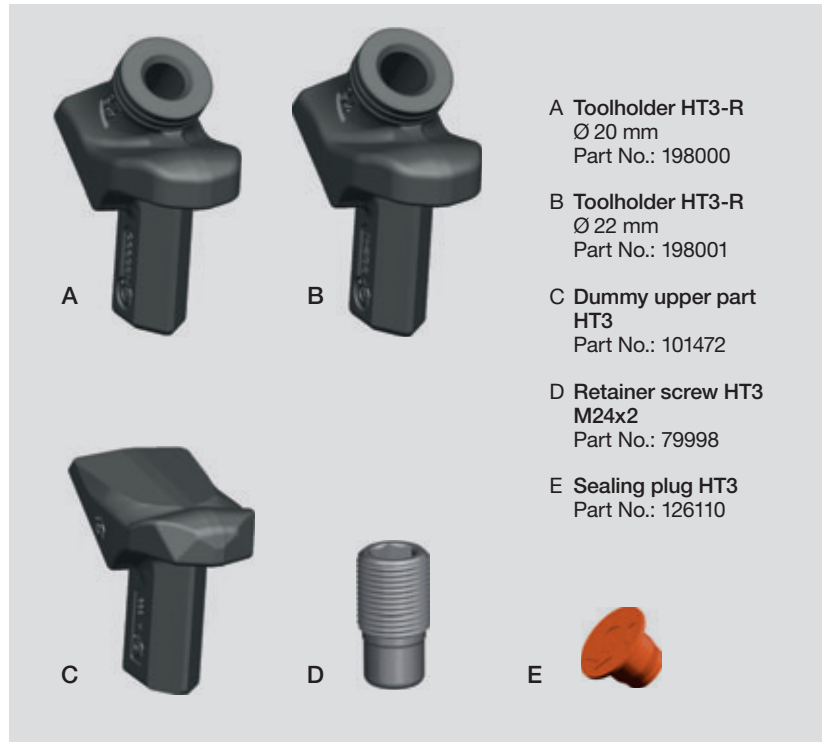


# ORIGINAL WIRTGEN QUICK-CHANGE TOOLHOLDER SYSTEM HT2 AND HT3 FOR MILLING MACHINES, COLD RECYCLERS AND SOIL STABILIZERS



## HT3

The HT3 quick-change toolholder system was developed from the first generation of Wirtgen toolholders. Between 1997 and 2004 two standard upper parts were available. For cold milling machines an upper part is available for the picks with a 20-mm shank, for recyclers and ground stabilizers with a 22-mm shank diameter.



A Toolholder HT3-R  
Ø 20 mm  
Part No.: 198000

B Toolholder HT3-R  
Ø 22 mm  
Part No.: 198001

C Dummy upper part  
HT3  
Part No.: 101472

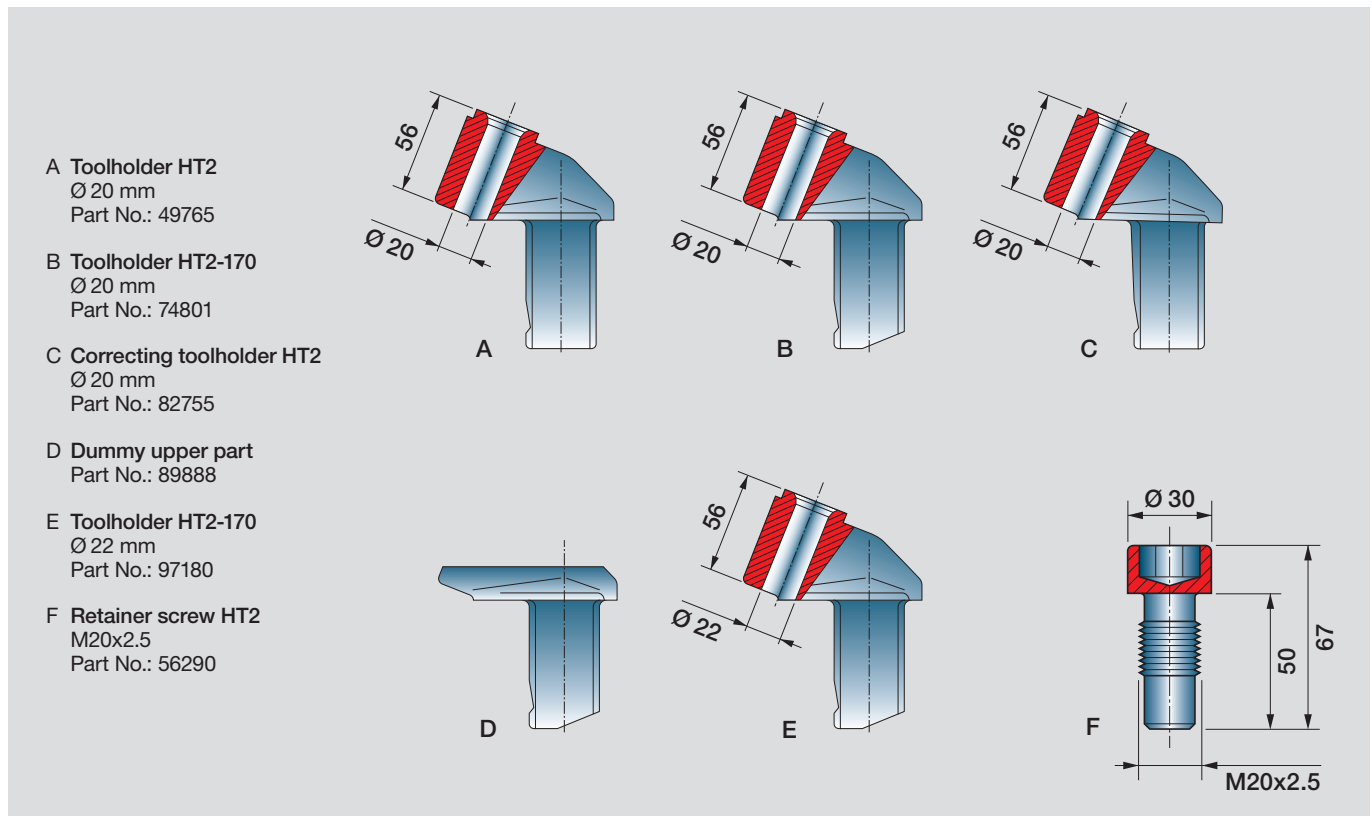
D Retainer screw HT3  
M24x2  
Part No.: 79998

E Sealing plug HT3  
Part No.: 126110

## HT2

Wirtgen developed the first quick-change toolholder system from 1992 to 1996. HT2 was developed for different machine types and applications.

The standard upper part for picks with a 20-mm shank is available for milling machines, another upper part for picks with a 22-mm shank for recyclers.



A Toolholder HT2  
Ø 20 mm  
Part No.: 49765

B Toolholder HT2-170  
Ø 20 mm  
Part No.: 74801

C Correcting toolholder HT2  
Ø 20 mm  
Part No.: 82755

D Dummy upper part  
Part No.: 89888

E Toolholder HT2-170  
Ø 22 mm  
Part No.: 97180

F Retainer screw HT2  
M20x2.5  
Part No.: 56290



# ORIGINAL WIRTGEN WELDED TOOLHOLDERS FOR ROAD MILLING MACHINES, COLD RECYCLERS AND SOIL STABILIZERS

## Small toolholders for miniature pick systems with shank diameter 13 mm

The miniature pick system is used on milling drums or various cutting wheels requiring extremely small installed sizes.

Two types are available here:

- HT04: Wrought toolholder for miniature picks without positioning
- HT4: Socket-type toolholders for miniature picks with precise positioning on a prepared milling drum tube.

## Toolholders for picks with shank diameter 20 mm

These toolholders represent the worldwide standard for the conventional shank diameter of picks for road milling machines.

Good weldability and a long service life are achieved due to the use of high-quality materials and special tempering processes. The following types are available:

- HT01: Proven nopped holder with enlarged contact surface with  $\varnothing$  42 mm and with two positioning pins for precise positioning of the welded helix parts. The toolholders are chamfered to facilitate welding.
- HT02 und HT03: Simple, forged toolholder. Without positioning.

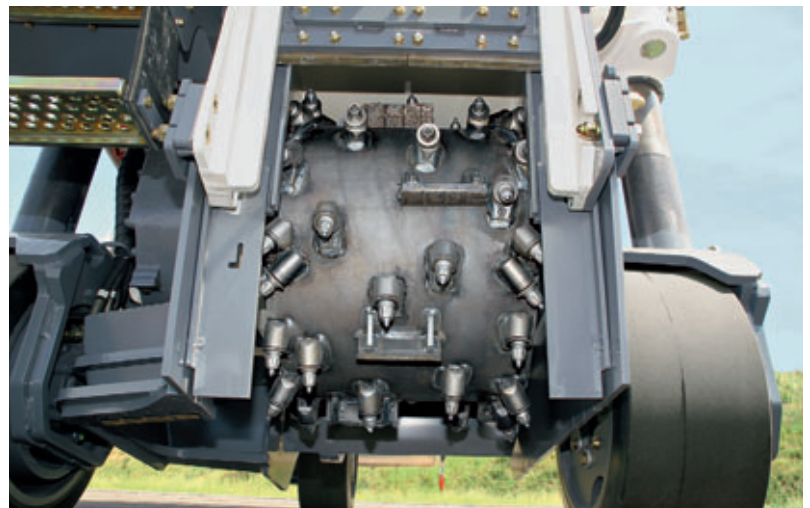
- HT5: Socket-type toolholders for picks with accurate positioning on a prepared milling drum tube.
- HT5 plus: Socket-type toolholder with pick contact area enlarged to 44 mm to reduce toolholder wear. Can be accurately positioned on the prepared milling drum tube.

## Toolholders for picks with shank diameter 25 mm

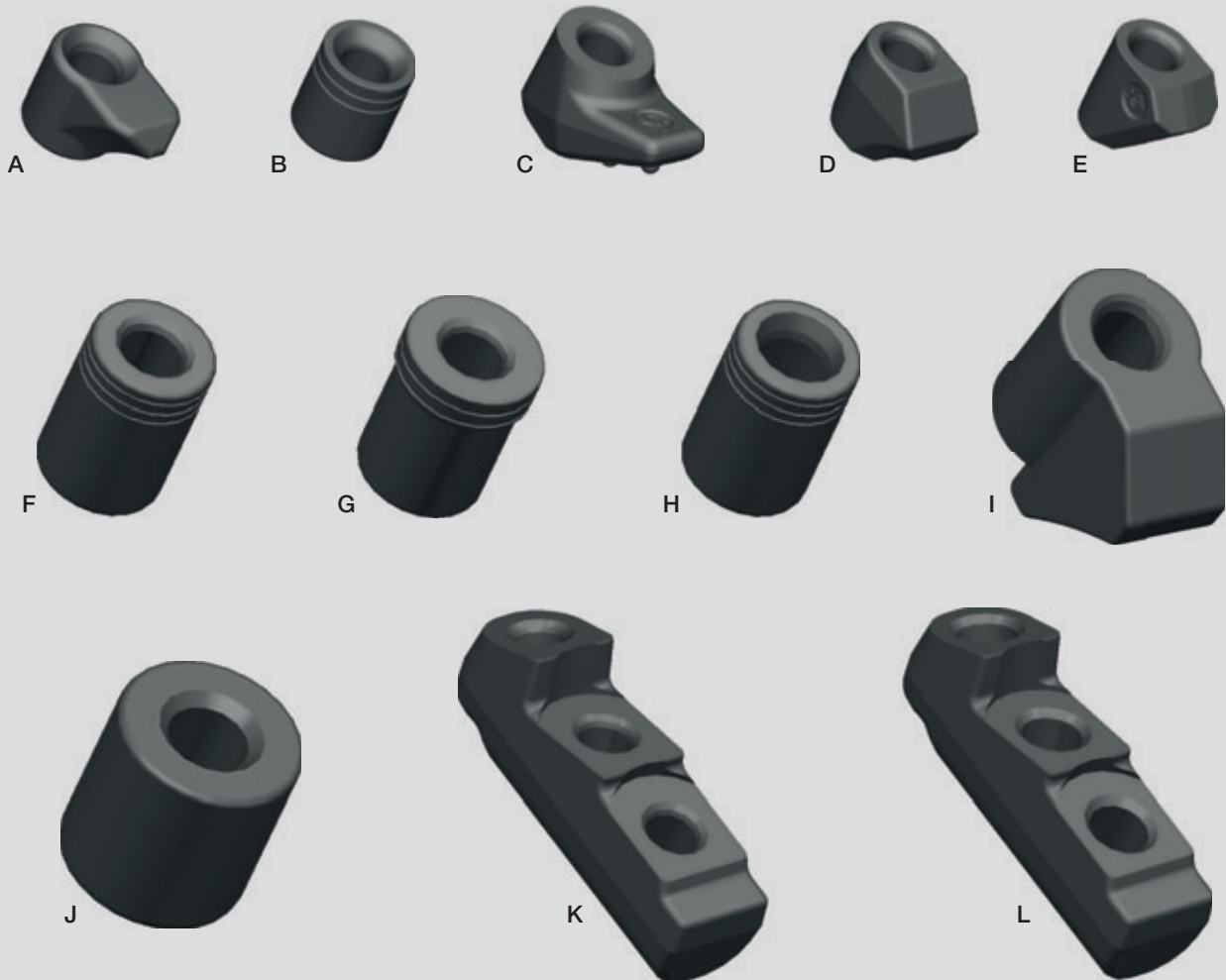
- HT9: Simple, forged toolholders. Without positioning.
- HT13: Socket-type toolholders for picks with 25-mm shank, especially for soil stabilisation and cold recycling. Can be positioned on prepared retainers on the milling drum.

## Edge protectors for picks with shank diameter 20 and 22 mm

- 3-way toolholders with preset contact angles.







**A Toolholder HT04**  
Ø 13 mm  
Part No.: 57629

**B Toolholder HT4**  
Ø 13 mm  
Part No.: 72258

**C Toolholder HT01**  
Ø 20 mm  
Part No.: 36780

**D Toolholder HT02**  
Ø 20 mm  
Part No.: 5244  
Ø 22 mm  
Part No.: 2046579

**E Toolholder HT03**  
Ø 20 mm  
Part No.: 5243

**F Toolholder HT5**  
Ø 20 mm  
Part No.: 74745

**G Toolholder HT5 plus**  
Ø 20 mm  
Part No.: 194362

**H Toolholder HT5**  
Ø 22 mm  
Part No.: 124218

**I Toolholder HT9**  
Ø 25 mm  
Part No.: 137503

**J Toolholder HT13**  
Ø 25 mm  
Part No.: 2068238

**K Edge protector 3-way**  
Ø 20 mm  
Part No.: 69902

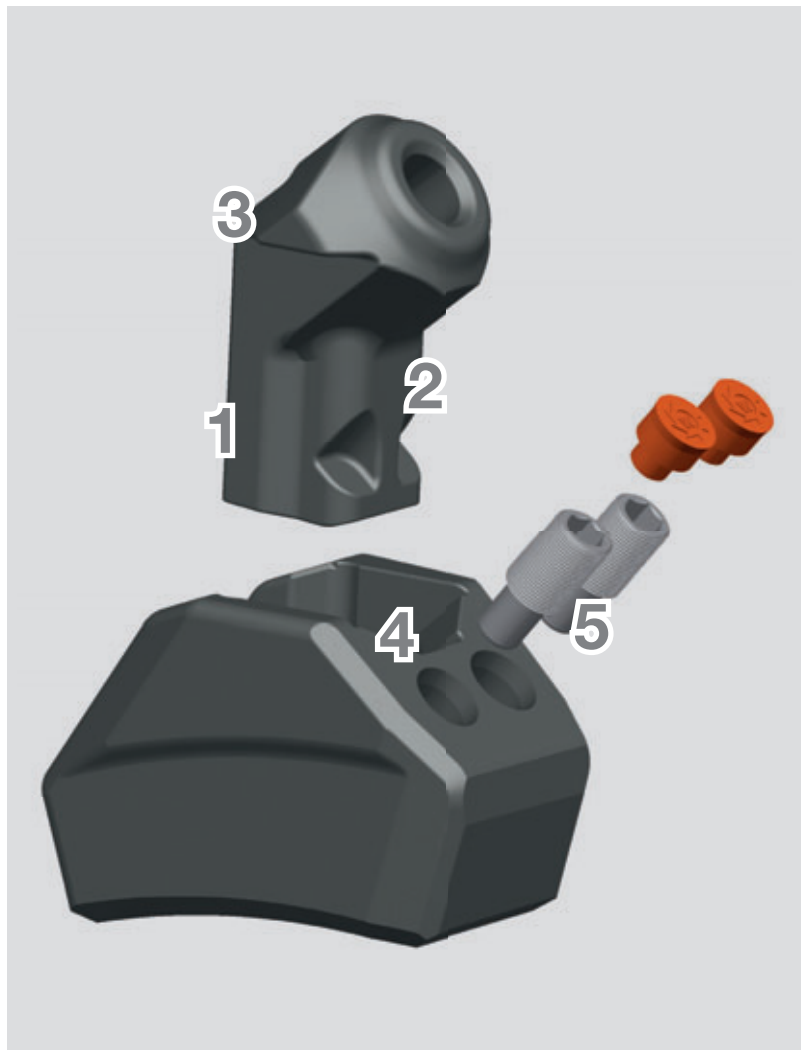
**L Edge protector 3-way**  
Ø 22 mm  
Part No.: 162459

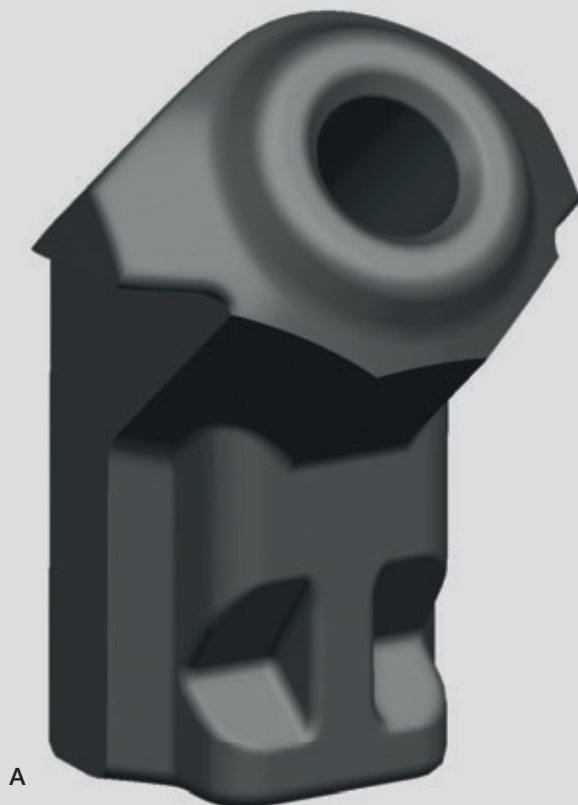
# ORIGINAL WIRTGEN QUICK-CHANGE TOOLHOLDER SYSTEM HT15 FOR SURFACE MINING

Based on decades of experience in the area of road milling machines, in 2011 the world's first quick-change toolholder system for surface mining applications was developed. Thanks to the quick and straightforward replacement of worn toolholders, the availability and therefore also the productivity of the machine can be significantly increased. Due to this innovation the economical extraction of resources as well as the extraction of rock become even more attractive.

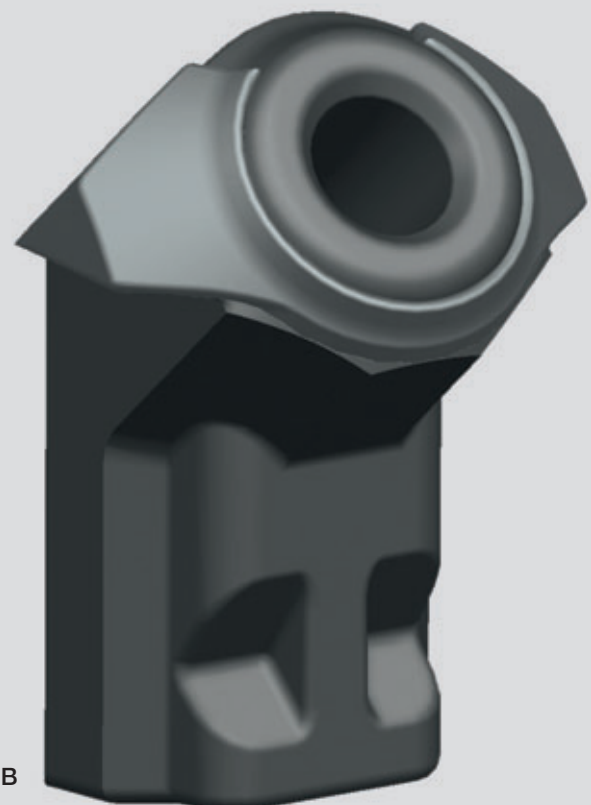


- 1 Special heat treatment of the holder shank** provides increased structural strength and facilitates the use of picks with 42-mm shank diameter with its robust shank mounting.
- 2 Double prism leads to ideal position and support** of the upper part in the bottom part while the precise contact surface between the upper and bottom part deflect cutting forces.
- 3 The material guide vane** protects the bottom part against abrasive wear.
- 4 The pronounced recesses** in the bottom part prevent damage to internal thread and screws.
- 5 Massive fastening screw** with M36x2 thread and 22-mm female hex combined with the flexible silicone plugs seal the fine threads from dirt and moisture.





A



B



C



D

**A Toolholder HT15**  
 Ø 42 mm  
 (Incl. plugs and screws)  
 Part No.: 2202084

**B Toolholder HT15 armoured**  
 Ø 42 mm  
 (Incl. plugs and screws)  
 Part No.: 2218787

**C Retainer screw HT15 M36x2**  
 Part No.: 2162867  
 (Two are required per holder)

**D Sealing plug HT15**  
 Part No.: 2189085  
 (Two are required per holder)

# ORIGINAL WIRTGEN WELDED TOOLHOLDERS FOR SURFACE MINING

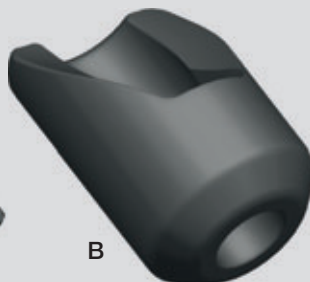
## Highly robust toolholders for Surface Miners

Unlike the relatively homogeneous structure of an asphalt pavement, the irregular rock formations can cause enormous peak loads on the individual toolholders. For this reason, special systems have been developed in which all the components and their connections on the milling drum are adapted specifically to the loads encountered.

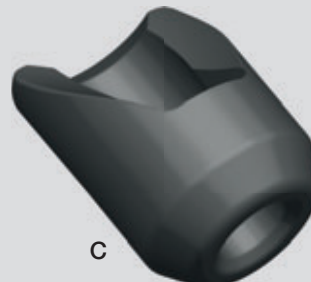
- Toolholder HT06: Heavy-duty nopped holder with two positioning pins for accurate positioning on the welded helical elements. The toolholders are chamfered for easier welding.
- Toolholder HT6: Socket-type for picks with exact positioning feature on prepared bottom parts on the milling drum tube. The shape of the toolholder in relation to the bottom part is selected such that high loads can be transferred.
- Toolholder HT14: Socket-type, similar to the HT6 toolholder but with 42-mm pick bore and increased outer diameter as wear cladding.



A



B



C

A Toolholder HT06  
Ø 38-30 mm  
Part No.: 78556

B Toolholder HT6  
Ø 38-30 mm  
Part No.: 95781

C Toolholder HT14  
Ø 42 mm  
Part No.: 2068087

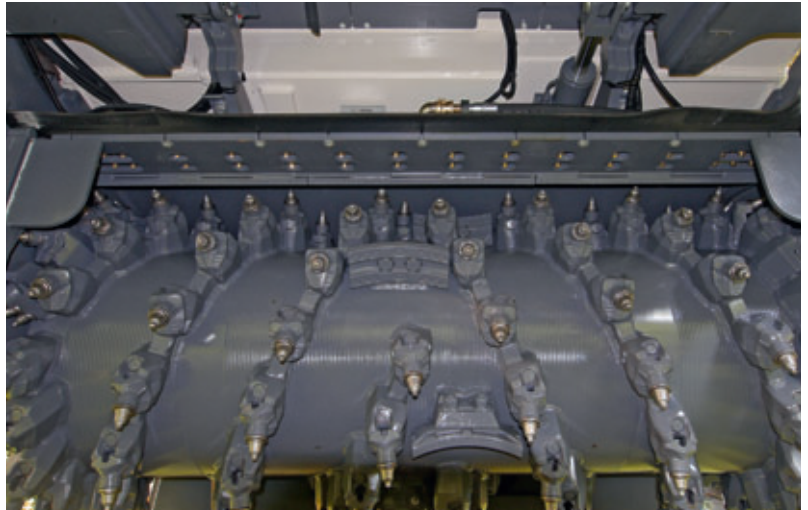






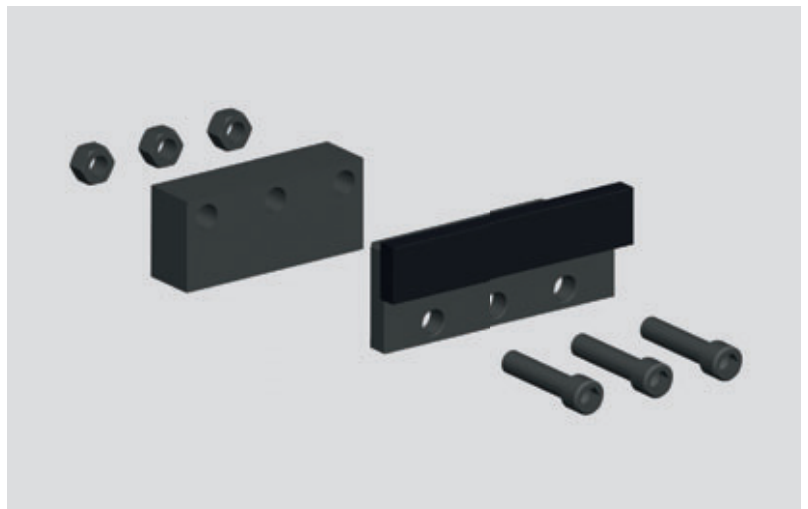
# ORIGINAL WIRTGEN EJECTORS TYPE 1 AND TYPE 2

To optimise the milling process it is necessary to transport the milled material quickly and effectively out of the milling drum housing. The efficient removal of the milled material reduces the wear on the milling drum tube as well as on all cutting components (picks and toolholder system). For this, ejectors are installed precisely on the milling drum. Wirtgen offers two types of ejectors with 150- and 250-mm width.



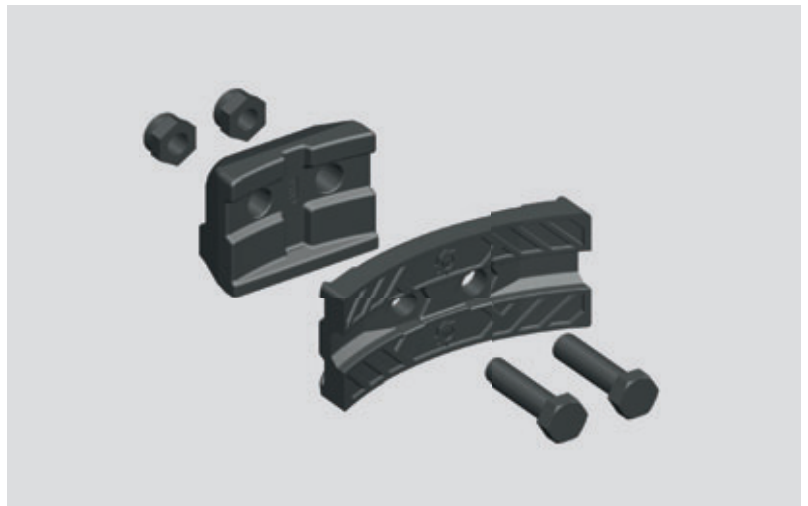
## Ejector type 1

The ejector bar should always have sufficient wear coating to ensure that the milling process and the material transport can run smoothly. If this is not the case, the ejectors at the milling drum should be completely replaced.



## Ejector type 2

Due to optimised geometry of the type 2 ejectors, the milled material transport has considerably improved. Since the ejectors are designed symmetrically and therefore have two identical wear edges, they can be turned around when worn down. The large contact surface to the upper part absorbs all impacting forces and deflects those. Due to the hexagonal shape in the front area, fitting is made significantly easier and the time required for changing is reduced.



### Ejector type 1

A Ejector width 150 mm  
Part No.: 45220

B Ejector width 250 mm  
Part No.: 44097

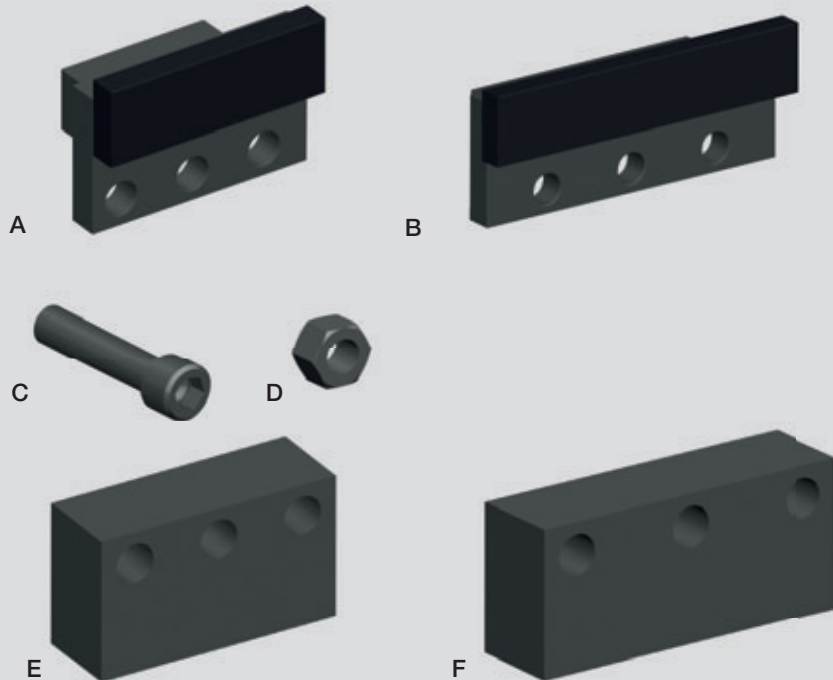
C Single fastening screw  
Part No.: 4633

D Single fastening nut  
Part No.: 36105

E Ejector holder  
for ejector widths of 150 mm  
Part No.: 52320

F Ejector holder  
for ejector widths of 250 mm  
Part No.: 37972

Single locking washer  
(one per screw joint)  
Part No.: 5160 (not shown)



### Ejector type 2

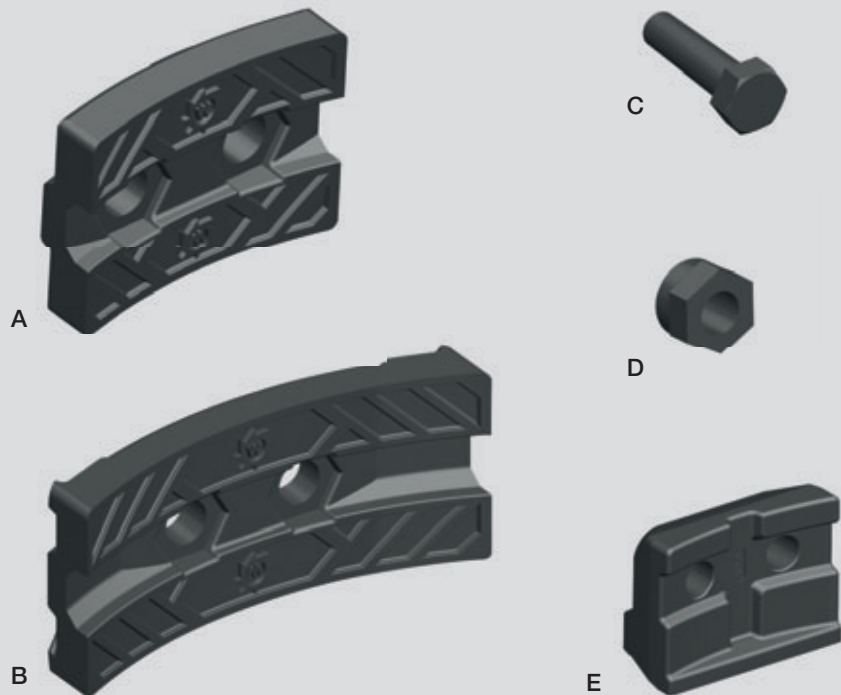
A Ejector width 150 mm  
Part No.: 2140636

B Ejector width 250 mm  
Part No.: 2140635

C Single fastening screw  
Part No.: 4620

D Single fastening nut  
(self-locking)  
Part No.: 30392

E Ejector holder  
suitable for both widths  
Part No.: 2140637



# ORIGINAL WIRTGEN MILLING DRUMS FROM THE WORLD MARKET LEADER FOR VERSATILE USES

## **The leader in engineering design and production of milling drums**

Milling drums designed and produced in the Windhagen plant are the central element of the Wirtgen road milling machines known throughout the world. Both, then and now, Wirtgen invests in expanding its core competence of cutting technology for the benefit of its customers.

## **The key to versatile milling machines**

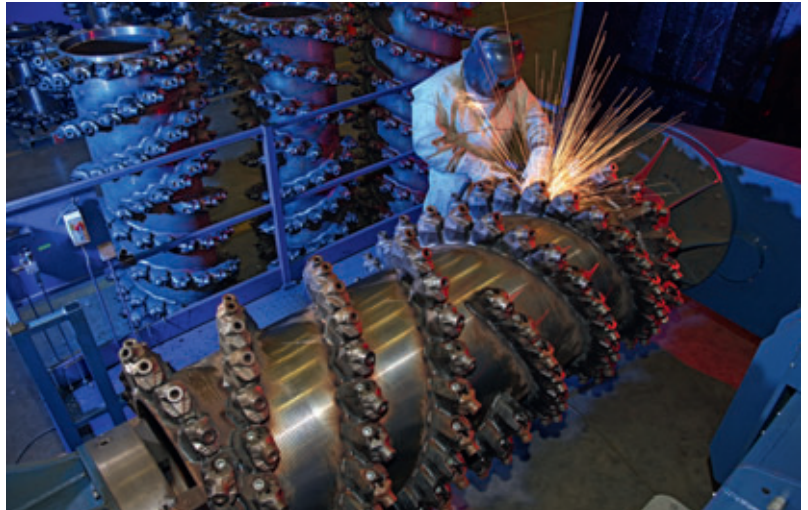
Operators want to use their milling machines for as many different jobs as possible. That is why Wirtgen supplies a large variety of optional drums as part of its standard range.

This allows the customer to engage in a wealth of applications for machining pavements, performing recycling contracts or in the selective extraction of hard rock. The decision to buy a Wirtgen machine is underlined by this versatility.

## **Special projects bring proximity to the customer**

New requirements are repeatedly imposed upon the construction industry and that is why almost never a day passes without Wirtgen receiving at least one enquiry for a solution using milling technology.

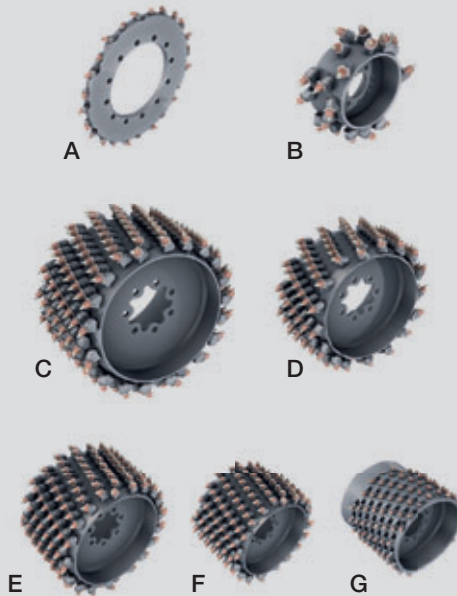
And solutions have evidently been found, as proved by the numerous special milling drums supplied for machines built by Wirtgen and other companies, as well as for special machines, such as stationary processing plants or even minesweepers.





Examples of various milling drums for small milling machines

- A Cutting wheel
- B Water channel milling drum
- C Micro-fine milling drum
- D Micro-fine milling drum
- E Micro-fine milling drum with lateral discharge
- F Micro-fine milling drum for roughening concrete
- G Micro-fine milling drum for demarcation work



**The milling drum generally has to fulfil three main tasks:**

- Cutting and breaking out material particles from the composite.
- Transporting: Transport of loosened material particles to the area of the ejector.
- Ejection of the broken material particles onto the loading conveyor.

Wirtgen offers the ideal milling drum for every application to ensure that the machine's potential can be optimally exploited. Original Wirtgen milling drums ensure exceptional performance and optimum results, recognisable due to their ornamental flange.

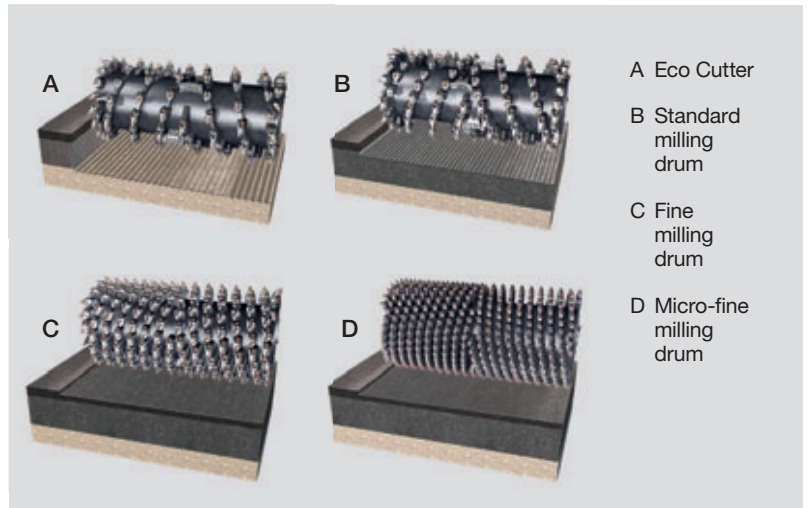
Type of milling drum	Line spacing	Max. milling depth	Usage options
<b>Eco Cutter</b> Rough milling drums	20 mm 25 mm	up to 35 cm	For greater demands on volume milling performance - Concrete milling - Complete removal of road surfaces
<b>Standard</b> milling drums	12 mm 15 mm 18 mm	up to 35 cm	Universal milling drum for versatile use - Removing surface and binder courses - Complete removal of road surfaces - Concrete milling
<b>Fine</b> milling drums	8 mm 10 mm	up to 8 cm	For high demands on macro- and micro-profile - Removal of surface layers, incl. construction of a more even surface - Corrective milling work on roadway profiles
<b>Micro-fine</b> milling drums	3 mm 5 mm 6 mm	up to 3 cm	For the highest demands on macro- and micro-profile - Increase in surface grip by roughening roadway surfaces using the micro-fine milling process - Increasing the evenness of concrete roadways - Preparation milling for surface treatment, cold paving of thin layers and other thin-layer paving - Removal of coatings from road surfaces or hall floors - Removal of markings on the road surface - Milling into markings on the road surface

# ORIGINAL WIRTGEN MILLING DRUMS FROM THE WORLD MARKET LEADER FOR VERSATILE USES

## Fine milling is setting new standards in milling results world-wide

By special and precise finishing processes Wirtgen can nowadays design line spacings up to 3 mm.

So milling contractors are offered a multitude of new applications: Their Wirtgen milling machines can work on sites with high-quality demands on the surface. The new patented Flexible Cutter System (FCS) makes the milling drum exchange much easier.



1



2



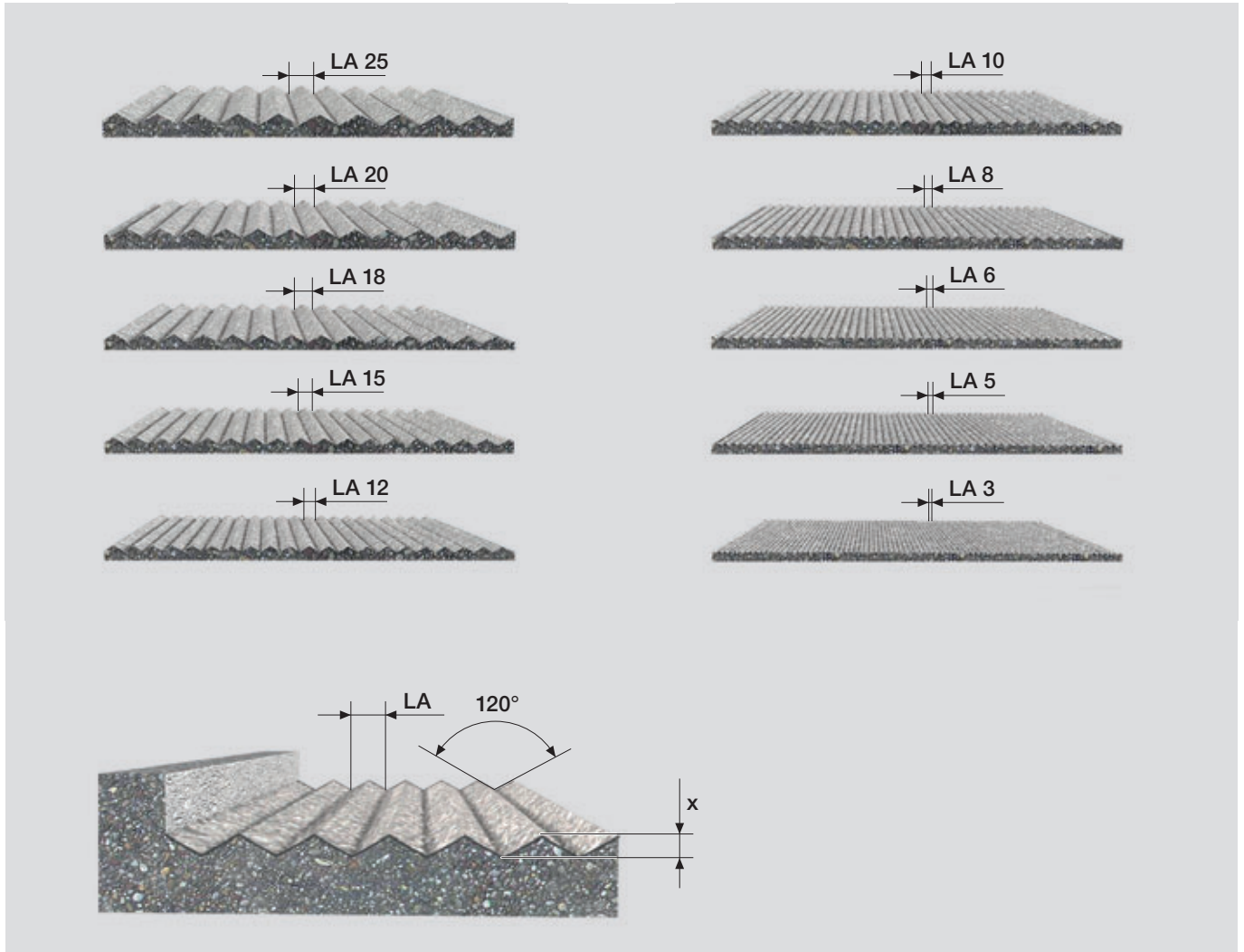
3



4

- 1 Improving the skid resistance of the pavement.
- 2 Restoring the evenness/levelling.
- 3 Pavement markings are removed quickly and accurately with a special unit.
- 4 Milling off resin surfaces/synthetic surfaces in factory halls.





LA = Line spacing in mm	x = Thoretical base height in mm	LA = Line spacing in mm	x = Thoretical base height in mm
25	7.21	8	2.31
20	5.77	6	1.73
18	5.19	5	1.44
15	4.33	4	1.15
12	3.46	3	0.87
10	2.88	2	0.58

Theoretical base height of typical milling drum line spacings

# ORIGINAL WIRTGEN MILLING DRUMS

Machine type	Model	Milling drum					Toolholder			Picks
		Part No.	Type	FB (mm)	LA (mm)	Max. FT (mm)	System	Quantity	Part No.	Quantity
W 350	0203	2400768	Milling drum	500	12	100	HT08	47	36780	47
		2400766	Milling drum	350	12	100	HT08	36	36780	36
		72257	Fine milling drum	350	6x2	30	HT4	116	72258	116
		74737	Fine milling drum	350	6	50	HT5	57	74745	57
		140808	Micro-fine milling drum	350	3	30	HT4	117	72258	117
		105073	Milling drum	200	10	100	HT02	29	5244	29
		151642	Milling drum	100	10	100	HT02	16	5244	16
		139699	Fine milling drum	450+2x25	6x2	30	HT4	164	72258	164
		81564	Fine milling drum	300+2x25	6x2	30	HT4	116	72258	116
		129694	Micro-fine milling drum	300+2x25	3	30	HT4	117	72258	117
		134590	Micro-fine milling drum	150+2x25	3	30	HT4	67	72258	67
105487	Milling drum	80		160	HT02	18	5244	18		
W 35	0503	187363	Milling drum	350	12	60	HT01	36	36780	36
		187372	Fine milling drum	350	6	50	HT5	57	74745	57
		187368	Micro-fine milling drum	350	3	30	HT4	117	72258	117
		192947	Micro-fine milling drum	300+2x25	3	30	HT4	117	72258	117
		194770	Micro-fine milling drum	250+2x25	3	30	HT4	99	72258	99
		194767	Micro-fine milling drum	200+2x25	3	30	HT4	83	72258	83
		194764	Micro-fine milling drum	150+2x25	3	30	HT4	67	72258	67
		188357	Milling drum	80		60	HT02	12	5244	12



Close to our customers

Machine type	Model	Milling drum					Toolholder			Picks	
		Part No.	Type	FB (mm)	LA (mm)	Max. FT (mm)	System	Quantity	Part No.	Quantity	
W 35 DC	0403	2400767	Milling drum	500	12	110	HT08	47	36780	47	
		193418	Fine milling drum	500	6	50	HT5	82	74745	82	
		2400765	Milling drum	350	12	110	HT08	36	36780	36	
		187267	Fine milling drum	350	6	50	HT5	57	74745	57	
		187266	Micro-fine milling drum	350	3	30	HT4	117	72258	117	
		193419	Micro-fine milling drum	450+2x25	3	30	HT4	166	72258	166	
		193337	Micro-fine milling drum	300+2x25	3	30	HT4	117	72258	117	
		195053	Micro-fine milling drum	250+2x25	3	30	HT4	99	72258	99	
		195052	Micro-fine milling drum	200+2x25	3	30	HT4	83	72258	83	
		193416	Micro-fine milling drum	150+2x25	3	30	HT4	67	72258	67	
		188358	Milling drum	80		110	HT02	12	5244	12	
W 500	0605	2400763	Milling drum	500	15	160	HT08	50	36780	50	
		89502	Fine milling drum	500	6	50	HT5	82	74745	82	
		56855	Milling drum	80		220	HT02	24	5244	24	

# ORIGINAL WIRTGEN MILLING DRUMS

Machine type	Model	Milling drum					Toolholder			Picks
		Part No.	Type	FB (mm)	LA (mm)	Max. FT (mm)	System	Quantity	Part No.	Quantity
W 50	0805, 1005	173679	Milling drum	500	20	160	HT01	32	36780	32
		2400764	Milling drum	500	15	160	HT08	50	36780	50
		172199	Fine milling drum	500	6	50	HT5	84	74745	84
		179276	Micro-fine milling drum	500	3	30	HT5	166	74745	166
		177011	Milling drum	500	3	30	HT4	166	72258	166
		180541	Micro-fine milling drum	450+2x25	6	50	HT5	62	74745	62
		172193	Milling drum	400	12	160	HT01	46	36780	46
		172195	Milling drum	300	12	160	HT01	38	36780	38
		180542	Micro-fine milling drum	300	3	30	HT4	101	72258	101
		172201	Micro-fine milling drum	300+2x25	3	30	HT4	117	72258	117
		176725	Milling drum gutter	500	15	160	HT5	40	74745	40
		172197	Milling drum	80		160	HT02	30	5244	30
W 50 DC W 50 DCi	0905, 1205	2334391	Milling drum	500	15	210	HT08	50	36780	50
		177179	Fine milling drum	500	6	50	HT5	82	74745	82
		178362	Micro-fine milling drum	500	3	30	HT4	166	72258	166
		2334390	Milling drum	400	15	210	HT08	46	36780	46
		2334386	Milling drum	300	15	210	HT08	38	36780	38
		183191	Fine milling drum	450+2x25	6x2	30	HT4	164	72258	164
		183119	Milling drum	80		210	HT02	24	5244	24
		179301	Milling drum	80		300	HT02	30	5244	30



Close to  
our customers

Machine type	Model	Milling drum					Toolholder			Picks	
		Part No.	Type	FB (mm)	LA (mm)	Max. FT (mm)	System	Quantity	Part No.	Quantity	
W 50 R W 50 Ri	1405, 1505	2389391	Milling drum	500	20	210	HT08	40	2321470	51	
		2334391	Milling drum	500	15	210	HT08	48	2321470	60	
		177179	Fine milling drum	500	6	50	HT5	82	74745	82	
		178362	Micro-fine milling drum	500	3	30	HT04	166	72258	166	
		2334390	Milling drum	400	15	210	HT08	42	2321470	54	
		2334386	Milling drum	300	15	210	HT08	35	2321470	47	
		183119	Milling drum	80		210	HT02	24	5244	24	
		179301	Milling drum	80		300	HT02	30	5244	30	
W 600 DC	0705	2311471	Milling drum	600	15	300	HT22	54	2198001	75	
		2317307	Milling drum	500	15	300	HT22	46	2198001	67	
		2317256	Milling drum	400	15	300	HT22	40	2198001	61	
		2338513	Milling drum	300	15	250	HT22	31	2198001	55	
		111335	Milling drum	80		250	HT02	30	5244	30	
W 60 R W 60 Ri	1405, 1505	2389396	Milling drum	600	20	210	HT08	50	2321470	61	
		2334395	Milling drum	600	15	210	HT08	58	2321470	70	
		2389394	Milling drum	600	6	50	HT5	100	74745	100	
		2389537	Milling drum	80		210	HT02	24	5244	24	
W 60, W 60i	0910, 1210	2311471	Milling drum	600	15	300	HT22	54	2198001	75	
		2317307	Milling drum	500	15	300	HT22	46	2198001	67	
		2317256	Milling drum	400	15	300	HT22	40	2198001	61	



# ORIGINAL WIRTGEN MILLING DRUMS

Machine type	Model	Milling drum					Toolholder			Picks
		Part No.	Type	FB (mm)	LA (mm)	Max. FT (mm)	System	Quantity	Part No.	Quantity
W 1000 L	0705	2338515	Milling drum	1000	15	250	HT22	76	2198001	100
		2338518	Fine milling drum	1000	8	100	HT22	130	2198001	130
W 1000	1105	2338515	Milling drum	1000	15	250	HT22	76	2198001	100
		2338518	Fine milling drum	1000	8	100	HT22	130	2198001	130
W 1000 F	0710	2341969	Milling drum	1000	15	315	HT22	84	2198001	102
		2345885	Fine milling drum	1000	8	100	HT22	131	2198001	149
		161484	Fine milling drum	1000	6x2	30	HT5	340	74745	340
		2338521	FCS milling drum	1000	15	315	HT22	84	2198001	102
		2338529	FCS fine milling drum	1000	8	100	HT22	131	2198001	149
		2345886	FCS fine milling drum	1000	6	50	HT22	168	2198001	168
		150396	FCS fine milling drum	1000	6x2	30	HT5	340	74745	340
		2338522	FCS milling drum	900	15	290	HT22	84	2198001	102
		2338533	FCS milling drum	750	15	290	HT22	66	2198001	84
		2338525	FCS milling drum	600	12	290	HT22	62	2198001	80
		2338527	FCS milling drum	500	15	290	HT22	48	2198001	72
W 100, W 100i	0910, 1210	2311427	Milling drum	1000	15	300	HT22	76	2198001	100
		2311434	FCS milling drum	1000	15	300	HT22	76	2198001	100
		2311438	FCS fine milling drum	1000	8	100	HT22	130	2198001	130
		2062033	FCS fine milling drum	1000	6x2	30	HT5	340	74745	340



Close to  
our customers

Machine type	Model	Milling drum					Toolholder			Picks
		Part No.	Type	FB (mm)	LA (mm)	Max. FT (mm)	System	Quantity	Part No.	Quantity
W 100 F, W 100 Fi	0810, 1310	2308577	Milling drum	1000	15	320	HT22	81	2198001	99
		2308540	FCS milling drum	1000	25	320	HT22	63	2198001	87
		2308571	FCS milling drum	1000	18	320	HT22	72	2198001	90
		2308077	FCS milling drum	1000	15	320	HT22	81	2198001	99
		2308204	FCS fine milling drum	1000	8	100	HT22	131	2198001	149
		2062046	FCS fine milling drum	1000	6x2	30	HT5	340	74745	340
		2308151	FCS milling drum	600	12	290	HT22	62	2198001	80
		2308183	FCS milling drum	500	15	290	HT22	48	2198001	72
		2308192	FCS milling drum	300	12	290	HT22	31	2198001	55
W 1200 F	0710	2345887	Milling drum	1200	15	315	HT22	97	2198001	115
		2345888	Fine milling drum	1200	8	100	HT22	156	2198001	174
		2338520	FCS milling drum	1200	15	315	HT22	97	2198001	115
		2345889	FCS fine milling drum	1200	8	100	HT22	156	2198001	174
		179345	FCS fine milling drum	1200	6x2	30	HT5	410	74745	410
		2338521	FCS milling drum	1000	15	290	HT22	84	2198001	102
		2338522	FCS milling drum	900	15	290	HT22	84	2198001	102
		2338523	FCS milling drum	750	15	290	HT22	66	2198001	84
		2338525	FCS milling drum	600	12	290	HT22	62	2198001	80
		2338527	FCS milling drum	500	15	290	HT22	48	2198001	72
2338528	FCS milling drum	300	12	290	HT22	31	2198001	55		

# ORIGINAL WIRTGEN MILLING DRUMS

Machine type	Model	Milling drum					Toolholder			Picks
		Part No.	Type	FB (mm)	LA (mm)	Max. FT (mm)	System	Quantity	Part No.	Quantity
W 120 F, W 120 Fi	0810, 1310	2308580	Milling drum	1200	15	320	HT22	97	2198001	115
		2308291	FCS milling drum	1200	25	320	HT22	71	2198001	95
		2308569	FCS milling drum	1200	18	320	HT22	82	2198001	100
		2308146	FCS milling drum	1200	15	320	HT22	97	2198001	115
		2308217	FCS fine milling drum	1200	8	100	HT22	156	2198001	174
		2062051	FCS fine milling drum	1200	6x2	30	HT5	410	74745	410
		2308214	FCS milling drum	900	15	290	HT22	84	2198001	102
		2308151	FCS milling drum	600	12	290	HT22	62	2198001	80
		2308183	FCS milling drum	500	15	290	HT22	48	2198001	72
		2308192	FCS milling drum	300	12	290	HT22	31	2198001	55
W 1300 F	0710	2345890	Milling drum	1320	15	315	HT22	105	2198001	123
		2345891	FCS milling drum	1320	15	315	HT22	105	2198001	123
		2345892	FCS fine milling drum	1320	8	100	HT22	169	2198001	187
		2338520	FCS milling drum	1200	15	290	HT22	97	2198001	115
		2338521	FCS milling drum	1000	15	290	HT22	84	2198001	102
		2338522	FCS milling drum	900	15	290	HT22	84	2198001	102
		2338523	FCS milling drum	750	15	290	HT22	66	2198001	84
		2338525	FCS milling drum	600	12	290	HT22	62	2198001	80
		2338527	FCS milling drum	500	15	290	HT22	48	2198001	72
		2338528	FCS milling drum	300	12	290	HT22	31	2198001	55



Close to  
our customers

Machine type	Model	Milling drum					Toolholder			Picks	
		Part No.	Type	FB (mm)	LA (mm)	Max. FT (mm)	System	Quantity	Part No.	Quantity	
W 130 F, W 130 Fi	0810, 1310	2308584	Milling drum	1300	15	320	HT22	103	2198001	121	
		2308220	FCS milling drum	1300	15	320	HT22	103	2198001	121	
		2308610	FCS milling drum	1300	25	320	HT22	68	2198001	86	
		2308457	FCS milling drum	1300	18	320	HT22	89	2198001	107	
		2308268	FCS fine milling drum	1300	8	100	HT22	167	2198001	185	
		2062070	FCS fine milling drum	1300	6x2	30	HT5	444	74745	444	
		2308214	FCS milling drum	900	15	290	HT22	84	2198001	102	
		2308151	FCS milling drum	600	12	290	HT22	62	2198001	80	
		2308183	FCS milling drum	500	15	290	HT22	48	2198001	72	
		2308192	FCS milling drum	300	12	290	HT22	31	2198001	55	
W 100 H, W 130 H	1410, 1910	2314400	Milling drum	1000	18	180	HT22	68	2198001	80	
		2314405	Milling drum	1300	18	180	HT22	85	2198001	97	
W 1500	0820, 0920	2338533	Milling drum	1500	15	300	HT22	117	2198001	135	
		2338532	Milling drum	1320	15	300	HT22	105	2198001	123	
		2338530	Fine milling drum	1320	8	100	HT22	169	2198001	187	

# ORIGINAL WIRTGEN MILLING DRUMS

Machine type	Model	Milling drum					Toolholder			Picks
		Part No.	Type	FB (mm)	LA (mm)	Max. FT (mm)	System	Quantity	Part No.	Quantity
W 150, W 150i	0513, 0613	2309338	Milling drum	1500	15	320	HT22	118	2198001	136
		2314996	FCS milling drum	1500	25	320	HT22	82	2198001	106
		2315000	FCS milling drum	1500	18	320	HT22	104	2198001	122
		2309322	FCS milling drum	1500	15	320	HT22	118	2198001	136
		2314989	FCS fine milling drum	1500	8	100	HT22	192	2198001	210
		2090831	FCS fine milling drum	1500	6x2	30	HT5	512	74745	512
		2309334	Milling drum	1200	15	320	HT22	97	2198001	115
		2308291	FCS milling drum	1200	25	320	HT22	63	2198001	87
		2308569	FCS milling drum	1200	18	320	HT22	82	2198001	100
		2308146	FCS milling drum	1200	15	320	HT22	97	2198001	115
		2308217	FCS fine milling drum	1200	8	100	HT22	156	2198001	174
		2062051	FCS fine milling drum	1200	6x2	30	HT5	410	74745	410
		2308214	FCS milling drum	900	15	280	HT22	84	2198001	102
		2308151	FCS milling drum	600	12	280	HT22	62	2198001	80
W 1900	0820, 0920, 1020	2314564	Milling drum	2000	15	320	HT22	144	2198001	162
		2338534	Fine milling drum	2000	8	100	HT22	256	2198001	274
		123977	Fine milling drum	2000	6x2	30	HT5	672	74745	672
		2314585	FCS milling drum	2000	15	320	HT22	144	2198001	162
		2314592	FCS fine milling drum	2000	8	100	HT22	256	2198001	274
		144986	FCS fine milling drum	2000	6x2	30	HT5	672	74745	672



Machine type	Model	Milling drum					Toolholder			Picks	
		Part No.	Type	FB (mm)	LA (mm)	Max. FT (mm)	System	Quantity	Part No.	Quantity	
W 2000	0620, 1120	2314577	Milling drum	2200	15	320	HT22	156	2198001	174	
		2338535	Fine milling drum	2200	8	100	HT22	280	2198001	298	
		2338536	Milling drum	2000	25	320	HT22	100	2198001	124	
		2314564	Milling drum	2000	15	320	HT22	144	2198001	162	
		2338534	Fine milling drum	2000	8	100	HT22	256	2198001	274	
		123977	Fine milling drum	2000	6x2	30	HT5	672	74745	672	
		2338538	FCS milling drum	2000	25	320	HT22	100	2198001	124	
		2314585	FCS milling drum	2000	15	320	HT22	144	2198001	162	
		2314592	FCS fine milling drum	2000	8	100	HT22	256	2198001	274	
		144986	FCS fine milling drum	2000	6x2	30	HT5	672	74745	672	
W 200, W 200i, W 210, W 210i	1220, 1420, 1320, 1520	2307330	Milling drum	2200	15	330	HT22	156	2198001	174	
		2307332	FCS milling drum	2200	25	330	HT22	110	2198001	134	
		2307333	FCS milling drum	2200	18	330	HT22	141	2198001	159	
		2307334	FCS milling drum	2200	15	330	HT22	156	2198001	174	
		2307335	FCS fine milling drum	2200	8	100	HT22	280	2198001	298	
		2119190	FCS fine milling drum	2200	6x2	30	HT5	748	194362	748	
		2307322	Milling drum	2000	15	330	HT22	144	2198001	162	
		2307324	FCS milling drum	2000	25	330	HT22	100	2198001	124	
		2307325	FCS milling drum	2000	18	330	HT22	130	2198001	148	
		2307326	FCS milling drum	2000	15	330	HT22	144	2198001	162	
		2307327	FCS fine milling drum	2000	8	100	HT22	256	2198001	274	
		2112481	FCS fine milling drum	2000	6x2	30	HT5	672	194362	672	
		2307338	Milling drum	1500	15	330	HT22	118	2198001	136	
W 200 H, W 200 Hi	1620, 1720	2314414	Milling drum	2100	15	300	HT22	154	2198001	190	
		2314417	Milling drum	2100	18	300	HT22	133	2198001	169	

# ORIGINAL WIRTGEN MILLING DRUMS

Machine type	Model	Milling drum					Toolholder			Picks
		Part No.	Type	FB (mm)	LA (mm)	Max. FT (mm)	System	Quantity	Part No.	Quantity
W 2100	0921	2315691	Milling drum	2200	15	320	HT22	168	2198001	186
		2338539	Milling drum	2100	15	320	HT22	150	2198001	168
		2338541	Fine milling drum	2100	8	100	HT22	270	2198001	288
		2338542	Milling drum	2000	15	320	HT22	150	2198001	168
		2338543	Fine milling drum	2000	8	100	HT22	258	2198001	276
W 2200	0821	2300231	Milling drum	2200	15	350	HT22	170	2198001	188
		2317666	FCS milling drum	4400	15	350	HT22	326	2198001	353
		2317665	FCS milling drum	3800	15	350	HT22	287	2198001	314
		2317664	FCS milling drum	3500	15	350	HT22	268	2198001	295
		2317663	FCS milling drum	3100	15	350	HT22	234	2198001	261
		2317661	FCS milling drum	2500	15	350	HT22	193	2198001	211
		2317660	FCS milling drum	2200	15	350	HT22	170	2198001	188
W 220	0522	2300231	Milling drum	2200	15	350	HT22	170	2198001	188
		2317660	FCS milling drum	2200	15	350	HT22	170	2198001	188
		2317661	FCS milling drum	2500	15	350	HT22	193	2198001	211
		2309341	FCS-L milling drum	2200	25	350	HT22	110	2198001	134
		2309362	FCS-L milling drum	2200	18	350	HT22	146	2198001	164
		2309353	FCS-L milling drum	2200	15	350	HT22	170	2198001	188
		2309358	FCS-L milling drum	2200	8	100	HT22	280	2198001	298
		2120236	FCS-L fine milling drum	2200	6x2	350	HT5	748	194362	748
W 250	0422	2300231	Milling drum	2200	15	350	HT22	170	2198001	188
		2309341	FCS-L milling drum	2200	25	350	HT22	110	2198001	134
		2309362	FCS-L milling drum	2200	18	350	HT22	146	2198001	164
		2309353	FCS-L milling drum	2200	15	350	HT22	170	2198001	188
		2309358	FCS-L milling drum	2200	8	100	HT22	280	2198001	298
		2120236	FCS-L fine milling drum	2200	6x2	350	HT5	748	194362	748
		2317666	FCS milling drum	4400	15	350	HT22	326	2198001	353
		2317665	FCS milling drum	3800	15	350	HT22	287	2198001	314
		2317664	FCS milling drum	3500	15	350	HT22	268	2198001	295
		2317663	FCS milling drum	3100	15	350	HT22	234	2198001	261
		2317661	FCS milling drum	2500	15	350	HT22	193	2198001	211
		2317660	FCS milling drum	2200	15	350	HT22	170	2198001	188

Machine type	Model	Milling drum					Toolholder			Picks	
		Part No.	Type	FB (mm)	LA (mm)	Max. FT (mm)	System	Quantity	Part No.	Quantity	
RACO 350	H424	185289	Milling drum	2350	16	450	HT11 D22	176	199001	200	
WS 2200	01AS	187932	Milling drum	2150	40	500	HT11 D22	74	199001	90	
WS 220	02AS	2099082	Milling drum	2150	40	500	HT11 D22	78	199001	96	
WS 2500	01AS	187931	Milling drum	2500	40	500	HT11 D22	82	199001	98	
WS 250	02AS	2099080	Milling drum	2500	40	500	HT11 D22	86	199001	104	
WR 2000	03WR	2120460	Milling drum	1960	20	500	HT11 D22	142	199001	166	
WR 200	06WR	2298428	Milling drum	2000	20	510	HT11 D22	126	199001	150	
WR 200i	09WR	2298430	Milling drum	2000	20	510	HT11 D25	118	199002	142	
WR 2400	05WR	2092109	Milling drum	2360	20	500	HT11 D22	162	199001	186	
WR 240, WR 240i	07WR, 10WR	2190955	Milling drum	2400	20	510	HT11 D22	146	199001	170	
		2281887	Milling drum	2400	20	510	HT11 D25	146	199002	162	
WR 2500 S	04WR	187094	Milling drum	3048	37x2	500	HT11 D22	192	199001	216	
		185305	Milling drum	2438	30x2	500	HT11 D22	192	199001	216	
WR 250	08WR	2229118	Milling drum	2400	30x2	560	HT11 D22	184	199001	208	
		2279533	Milling drum	2400	30x2	560	HT11 D25	184	199002	200	
2100 SM	0921	118216	Milling drum	2000	50	250	HT6	60	95781	60	
		95819	Milling drum	2000	35	300	HT6	76	95781	76	
2200 SM	0821	2045386	Milling drum	3800	50	300	HT6	92	95781	92	
		2143830	Milling drum	2200	38	300	HT14	78	2068087	78	
		2143829	Milling drum	2200	76	300	HT14	46	2068087	46	
		127333	Milling drum	2200	38	300	HT6	78	95781	78	
		141663	Milling drum	2200	76	300	HT6	46	95781	46	

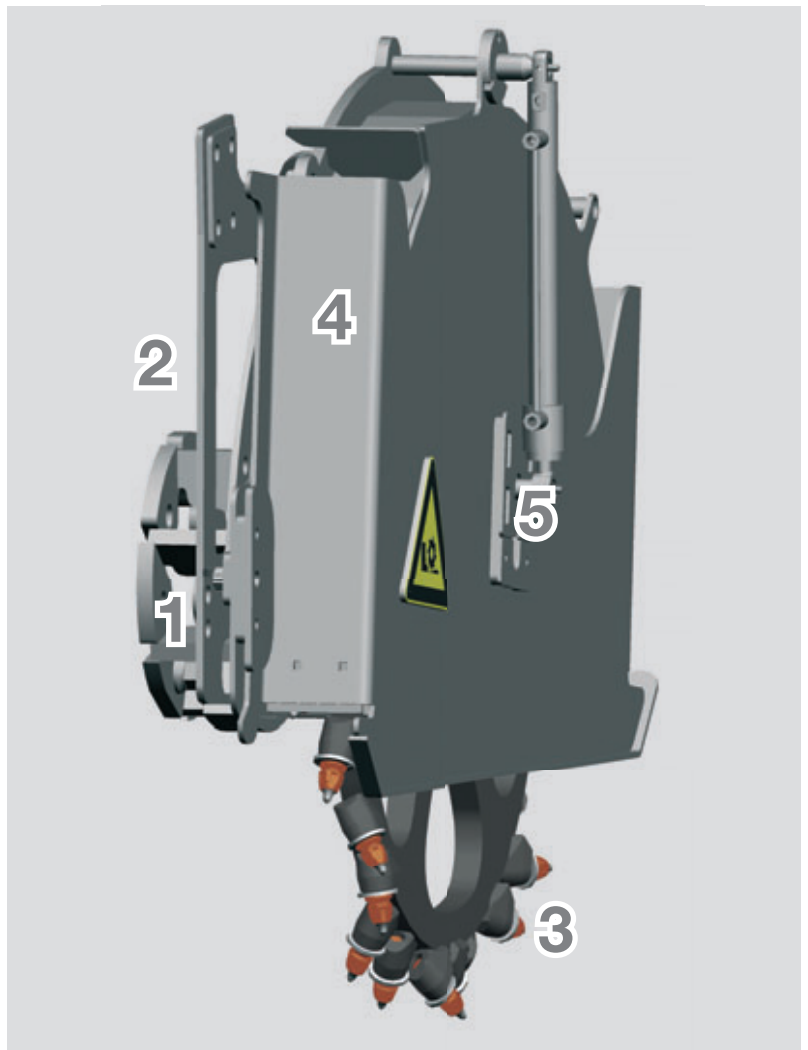
# ORIGINAL WIRTGEN SIDE CUTTING WHEELS AND SAW BLADES

There are many applications in road construction in which asphalt pavements have to be cut, be it for building channels, expansion cuts, when laying cables, for tie-in milling, cutting round tram lines, and many more. These jobs can also be handled quickly and cost-efficiently with the versatile Wirtgen milling machines.

The range with which Wirtgen once again demonstrates the flexibility and versatility of its machines extends from the installation of narrow milling drums through the use of cutting wheels to complete kits for mounting cutting wheels at the side.



- 1 Precise shape of the console** ensures the quick and easy installation of the side cutting wheel on many small milling machines.
- 2 Optimised adapter** from the milling drum gearbox to the milling drum ensures the power transmission.
- 3 The ideally designed cutting wheel** with original Wirtgen picks ensures the forceful cutting of asphalt layers and best possible work results.
- 4 Complete construction kits** simplify the expansion of the functionality.
- 5 Adapted covering hoods** ensure safe and clean milling and cutting work.



### Saw blade (milling width 14 to 25 mm) to be mounted into the milling drum housing

Machine type	Model	Adapter for saw blade	Type	Milling width (mm)	Milling depth max. (mm)	Cutting circle (mm)	Part No.
W 350	0203	79103	Saw blade	14	100	460	78569
			Saw blade	19	100	460	86750
			Saw blade	25	100	460	123976
W 35 DC	0403	2048619	Saw blade	14	100	460	78569
			Saw blade	19	100	460	86750
W 500	0605	154281	Saw blade	14	120	614	79855
			Saw blade	19	120	614	113292
			Saw blade	25	120	610	129146
W 50	1005	180976	Saw blade	14	160	590	180543

Delivery range: saw blade only

### Milling drums (milling width 80 to 100 mm) to be mounted into the milling drum housing

Machine type	Model	Type	Milling width (mm)	Milling depth max. (mm)	Toolholder	Part No.
W 350	0203	Milling drum	100	110	HT02	151642
W 35	0503	Milling drum	80	60	HT02	188357
W 35 DC	0403	Milling drum	80	110	HT02	188358
W 50 DC	0905	Milling drum	80	210	HT02	183119
W 600 DC	0705	Milling drum	80	250	HT02	111335
W 1000 F - FCS	0710	Milling drum	80	280	HT02	180832

Delivery range: milling drum only

### Assembly kit for outer cutting wheels

Machine type	Model	Type	Milling width (mm)	Milling depth max. (mm)	Toolholder	Part No.
W 350	0203	Assembly cutting wheel complete	80	160	HT02	107126
W 35 DC	0403	Assembly cutting wheel complete	80	180	HT02	195212
W 500	0605	Assembly cutting wheel complete	80	220	HT02	78544
W 50	1005	Assembly cutting wheel complete	80	250	HT02	175772
W 50 DC	0905	Assembly cutting wheel complete	80	300	HT02	179296
W 600 DC	0705	Assembly cutting wheel complete	80	300	HT02	103988

Delivery range: cutting wheel, adapter milling drum gearbox for milling drum, necessary cover hoods, picks and necessary small material



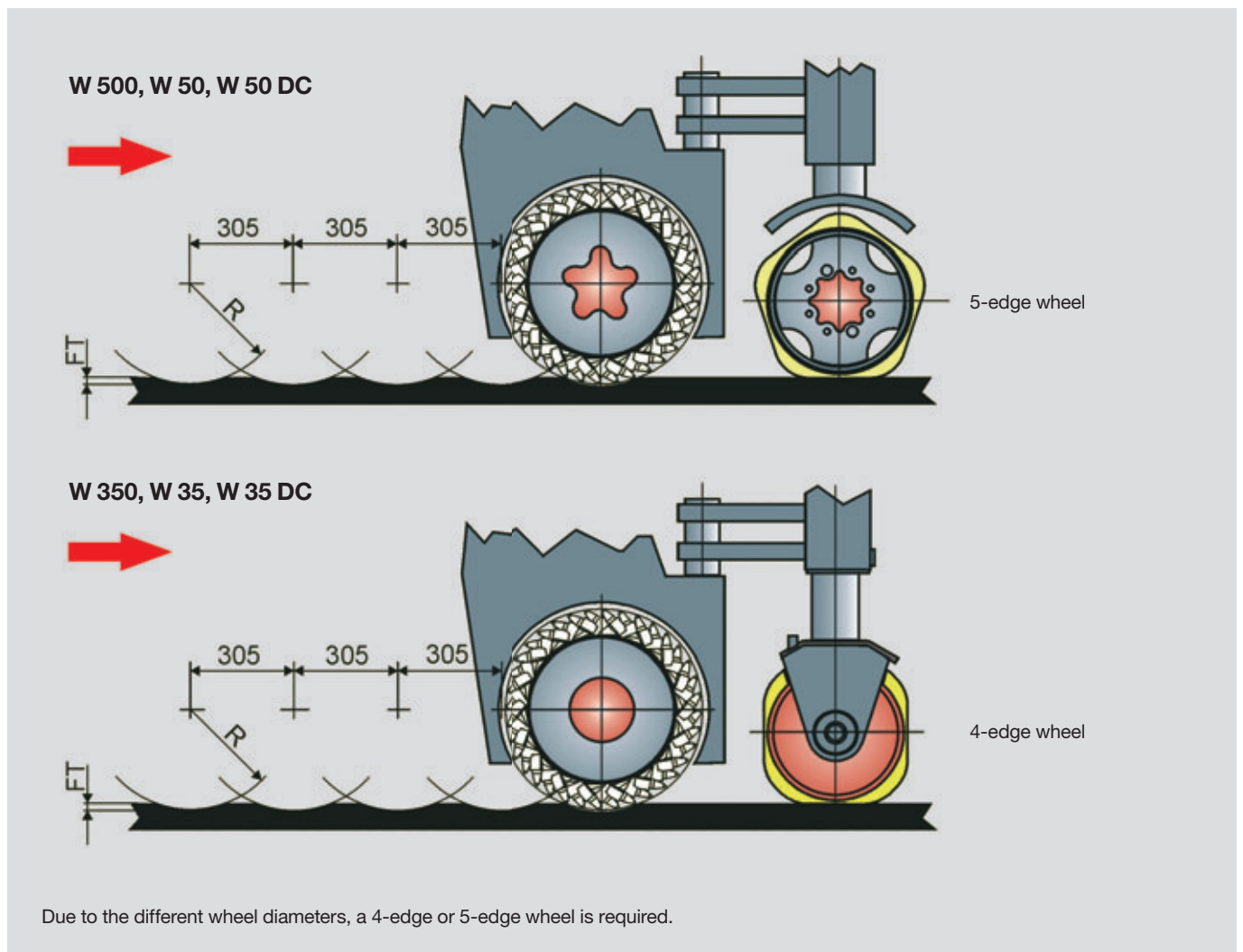


# ORIGINAL WIRTGEN RUMBLE STRIPS

For increased road safety, speed bumps are attached to the side of the road to warn the driver if he strays from the road.

A simple conversion is all that is needed to cut rumble strips in the pavement with a small milling machine from Wirtgen. For the Wirtgen small milling machines this expansion provides additional usage possibilities that improve the economic efficiency even more.

The milling depth (FT) is set via the machine height adjustment.



Machine type	Model	Series range	Wheel for rumble strips	Wheel variant		Milling drum				
				4-edge	5-edge	Milling width (mm)	Cutting circle (mm)	Toolholder	Line spacing (mm)	Part No.
W 350	0203	0001 - 9999	174463	x		350	460	HT4	LA6 x 2	72257
W 35	0503	0001 - 0038	174463	x		350	460	HT4	LA6 x 2	187367
		0039 - 9999	194144	x						
W 35 DC	0403	0001 - 9999	194144	x		350	460	HT4	LA6 x 2	187261
W 500	0605	0001 - 9999	181984		x	350	530	HT4	LA6 x 2	155708
W 50	0805	0001 - 0067	181620		x	350	590	HT4	LA6 x 2	181952
		0068 - 9999	186680		x					
W 50	1005	0001 - 9999	186680		x	350	590	HT4	LA6 x 2	181952
W 50 DC	0905	0001 - 0050	181620		x	Milling drums required				
		0051 - 9999	186680		x					



# ORIGINAL WIRTGEN FCS MILLING UNITS

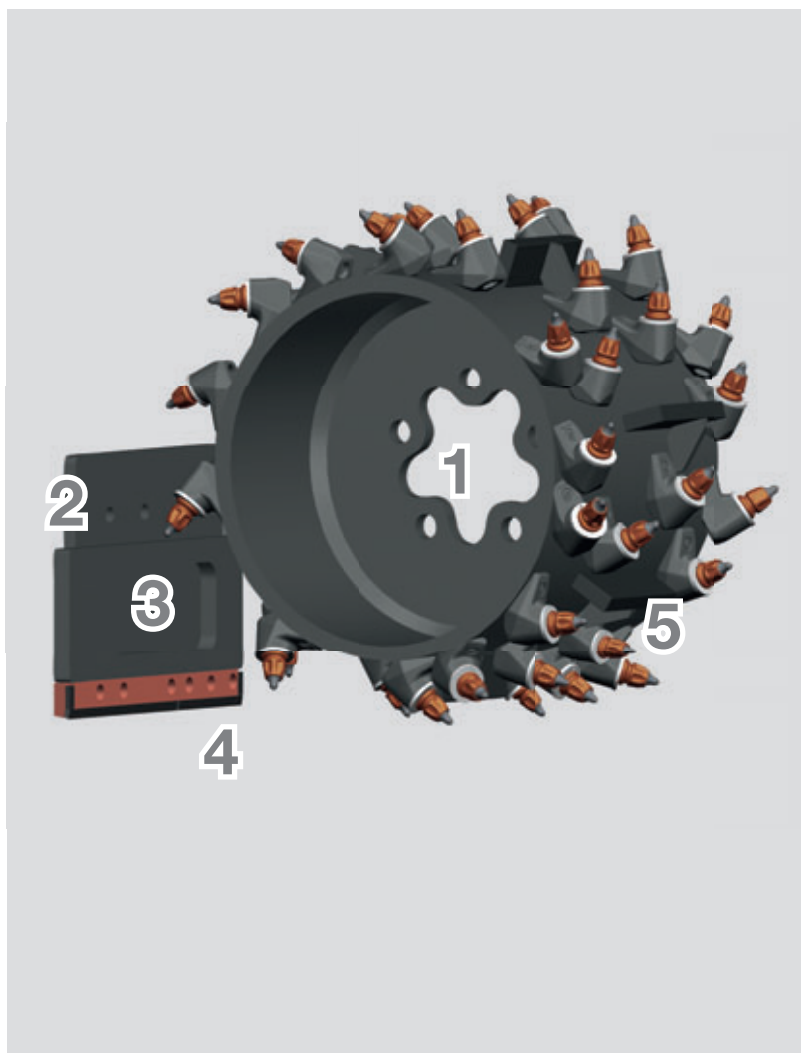
If machines can be used for a range of applications on different construction sites, their profitability and flexibility will increase significantly.

With the Flexible Cutter System (FCS), Wirtgen has developed a patented system in which many different milling drums with different widths can be used on one machine.

The changeover between widths is a simple matter and easily performed directly on site. The Flexible Cutter System is designed so that it can also be retrofitted on older machines.



- 1 Original Wirtgen FCS milling drum** in the desired width provides the highest efficiency and flexibility due to the easy and quick exchange.
- 2 The scraper bottom part adjusted to the FCS milling drum width** seals the milling chamber optimally.
- 3 The scraper bottom part** minimises standstill time due to the quick mounting on the tandem scraper.
- 4 The carbide-coated scraper blade** increases the life and ensures clean cutting surfaces.
- 5 Different drum designs** provide a broad range of use.



Machine type	Model	Assembly trolley for milling drums	Tandem scraper FCS		Milling unit		
			Width (mm)	Part No.	Milling width (mm)	Toolholder	Part No.
W 50	1005	177240	500	172594	400	HT01	172145
					300	HT01	172146
W 50 DC	0905	177240	500	174425	400	HT01	176432
					300	HT01	176433
W 50 R, W 50 Ri	1405, 1505	177240			300	HT08	2288389
					400	HT08	2288388
W 600 DC	0705	105240			500	HT22	2360368
					400	HT22	2360367
					300 middle	HT22	2360366
W 60, W 60i	0910, 1210	105240			400	HT22	2317254
					500	HT22	2317306
W 1000 F	0710	105240	1000	160152	300	HT22	2391569
					500	HT22	2391570
					600	HT22	2391571
					750	HT22	2391572
					900	HT22	2391573
W 100 F, W 100 Fi	0810, 1310	105240	1000	191423	300	HT22	2308611
					500	HT22	2308614
					600	HT22	2308615
W 1200 F	0710	105240	1200	161390	300	HT22	2391569
					500	HT22	2391570
					600	HT22	2391571
					750	HT22	2391572
					900	HT22	2391575
W 120 F, W 120 Fi	0810, 1310	105240	1200	191424	300	HT22	2308611
					500	HT22	2308614
					600	HT22	2308615
					900	HT22	2308616
W 1300 F	0710	105240	1320	161392	300	HT22	2391569
					500	HT22	2391570
					600	HT22	2391571
					750	HT22	2391572
					900	HT22	2391576
W 130 F, W 130 Fi	0810, 1310	105240	1300	191425	300	HT22	2308611
					500	HT22	2308614
					600	HT22	2308615
					900	HT22	2308621
W 150*, W 150i*	0513, 0613	105240	included in delivery of machine option FCS		600	HT22	2309490
					900	HT22	2309491

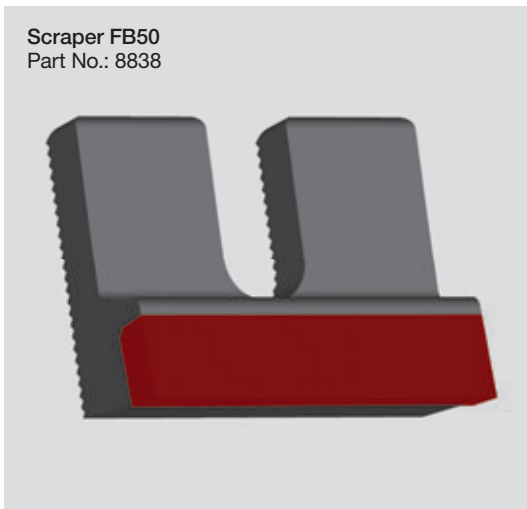
\* Only machines with option 2086129 "FCS drum housing FB 1200"

# ORIGINAL WIRTGEN SCRAPERS

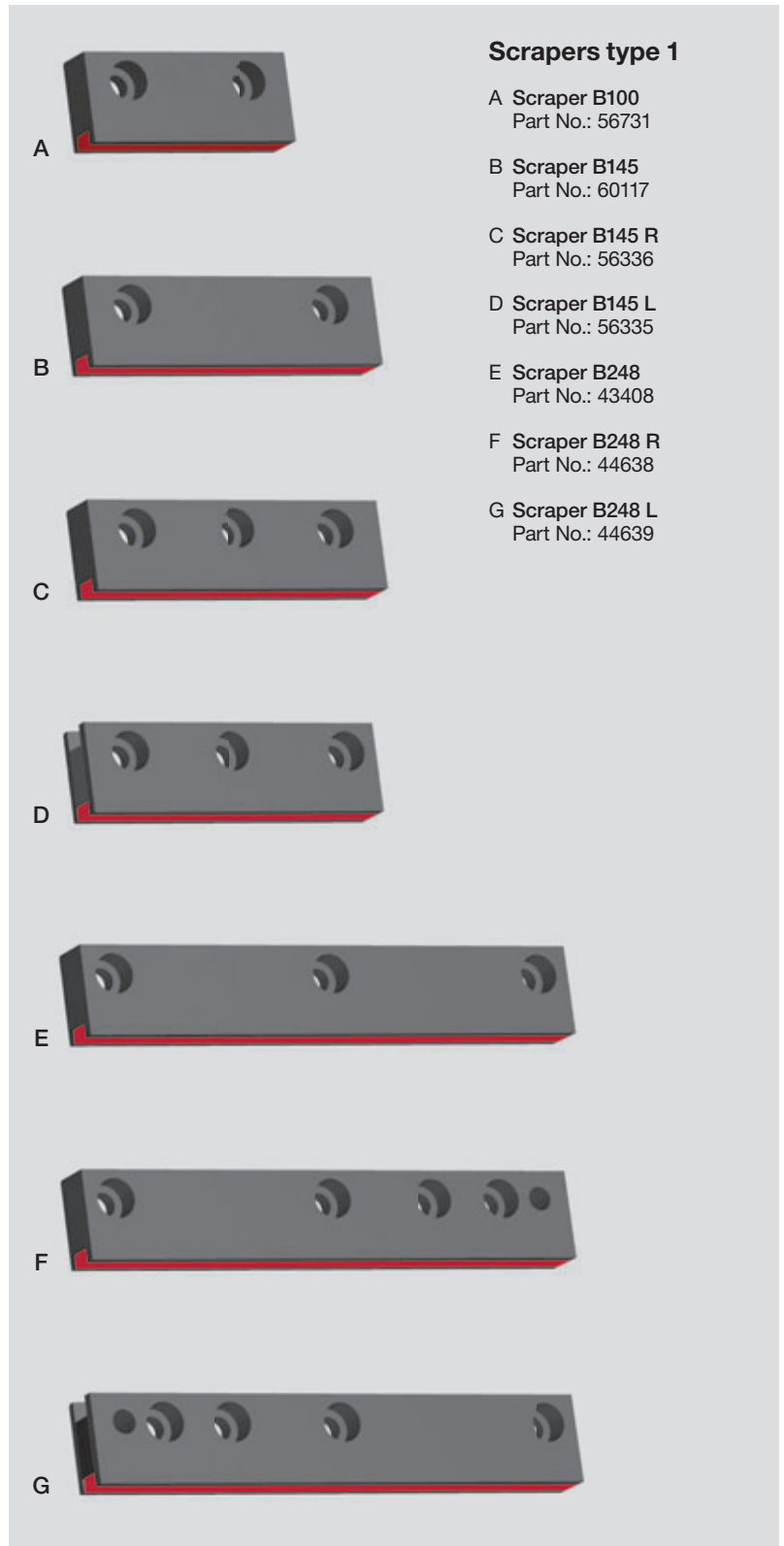
## Long-life scrapers

The scraper on the rear panel of the milling machine seals the drum chamber so that the reclaimed asphalt pavement can be taken up cleanly. In addition, it smoothes the milled surface by shearing off the higher asphalt ridges. Carbide-tipped scrapers are used for this purpose.

Suitable mounting components for both scraper types is available on request.



- Scraper FB 50: Carbide elements with a scraper width of 50 mm can be replaced individually.
- Type 1 scrapers: One-part carbide-tipped scrapers in different widths can be screwed onto the scraper plate side-by-side in accordance with the working width of the milling machine. Carbide elements on the right or left ensure that these scrapers can also be fitted at the edges.





### Scrapers type 2



A Scraper B100  
type 2  
Part No.: 146459



B Scraper B145  
type 2  
Part No.: 146515



C Scraper B145 R  
type 2  
Part No.: 146460



D Scraper B145 L  
type 2  
Part No.: 146461



E Scraper B248  
type 2  
Part No.: 146456



F Scraper B248 L  
type 2  
Part No.: 146457



G Scraper B248 R  
type 2  
Part No.: 146458

The milled material intake at the rear of the machine has been improved again with type 2 scrapers. These differ from the previous scrapers in the external contour and the shape of the carbide. Performance has been improved in particular by the optimised position of the carbide.

- Type 2 scrapers: One-part carbide-tipped scrapers in different widths are screwed onto the scraper plate side-by-side in accordance with the working width of the milling machine. Carbide elements on the right or left ensure that these scrapers can also be fitted at the edges.



# ORIGINAL WIRTGEN WEAR-PROTECTION SEGMENTS SIDE PLATES

A milling drum housing that closes completely on one side prevents leakage of the material. The provided edge protector lays completely on the milling surface and is therefore subject to natural wear.

Special wear elements are used to minimise this wear and facilitate the replacement of worn parts.

The wear elements are made of particularly wear-resistant material – partly tungsten carbide – and are easy to replace.



## Wear protection segments

A 2K-Protector skid 50 x 625  
Part No.: 155630

B 2K-Protector skid 50 x 490  
Part No.: 157828

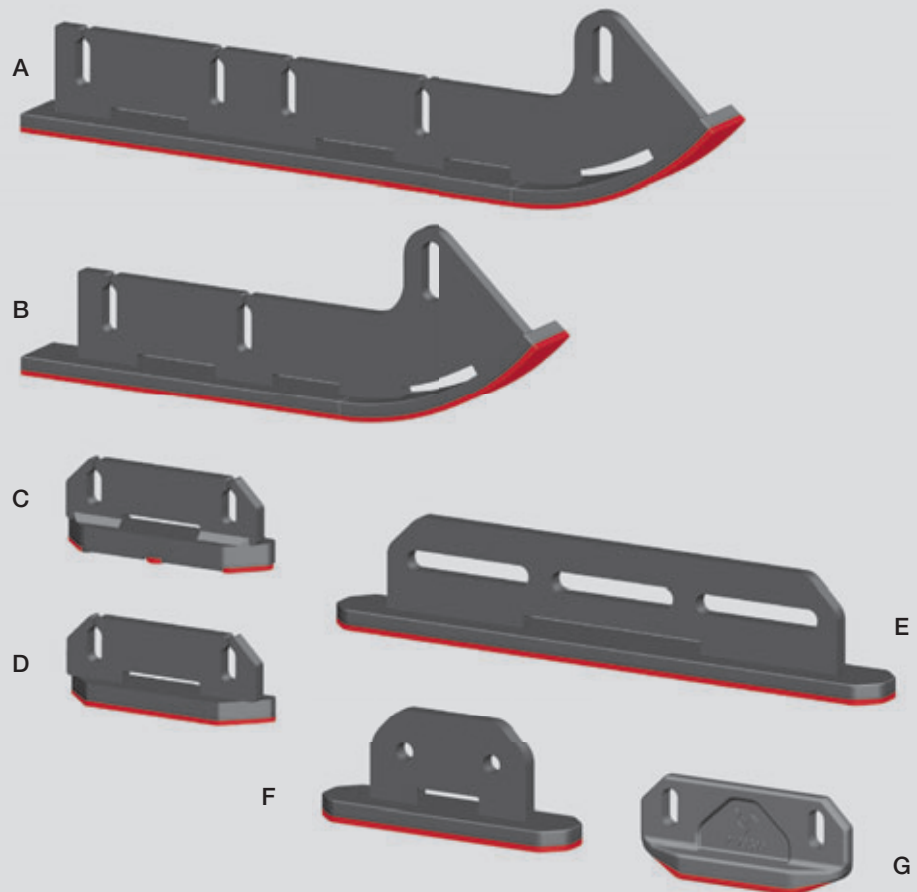
C Protector skid 40 x 180  
Part No.: 113001

D 2K-Protector skid 40 x 180  
Part No.: 2069177

E 2K-Protector skid 50 x 450  
Part No.: 2106074

F 2K-Protector skid 50 x 200  
Part No.: 2111404

G 2K-Protector skid 40 x 170  
Part No.: 2129390



2K = 2-component material with bonded plating

Machine type	Side plate segments front			Side plate segments rear			Scraper wear segments		
	Designation	Qty.	Part No.	Designation	Qty.	Part No.	Designation	Qty.	Part No.
W 1500	2K-Protector skid 50 x 490 (left)	1	157828	2K-Protector skid 40 x 180	1	2069177			
	2K-Protector skid 50 x 625 (right)	1	155630	2K-Protector skid 40 x 180	1	2069177			
W 150, W 150i	2K-Protector skid 50 x 625 (left)	1	155630	2K-Protector skid 40 x 180	1	2069177			
	2K-Protector skid 50 x 625 (right)	1	155630	2K-Protector skid 40 x 180	1	2069177			
W 1900	2K-Protector skid 50 x 625	2	155630	2K-Protector skid 40 x 180	2	2069177			
W 2000	2K-Protector skid 50 x 625	2	155630	2K-Protector skid 40 x 180	2	2069177	2K-Protector skid 40 x 170	8	2129390
W 200, W 210, W 200i, W 210i (FB 1500)	2K-Protector skid 50 x 625 (left)	1	155630	2K-Protector skid 50 x 450	1	2106074	2K-Protector skid 40 x 170	6	2129390
				2K-Protector skid 50 x 200	2	56731			
	2K-Protector skid 50 x 625 (right)	1	155630	2K-Protector skid 50 x 450	2	2106074			
W 200, W 210, W 200i, W 210i (FB 2000 and FB 2200)	2K-Protector skid 50 x 625 (left)	1	155630	2K-Protector skid 50 x 450	1	2106074	2K-Protector skid 40 x 170	6	2129390
				2K-Protector skid 50 x 200	1	2111404			
	2K-Protector skid 50 x 625 (right)	1	155630	2K-Protector skid 50 x 450	2	2106074			
W 200 H, W 200 Hi,	2K-Protector skid 50 x 625 (left)	1	155630	2K-Protector skid 50 x 450	2	2106074	2K-Protector skid 40 x 170	4	2129390
				2K-Protector skid 50 x 200	1	2111404			
	2K-Protector skid 50 x 625 (right)	1	155630	2K-Protector skid 50 x 450	2	2106074			
				2K-Protector skid 50 x 200	1	2111404			
W 2100, W 2200	2K-Protector skid 50 x 625	2	155630	2K-Protector skid 40 x 180	2	2069177	2K-Protector skid 40 x 170	8	2129390
	Protector skid long* 50 x 1700	2	196501	Dismantling the standard protector skids					
	Protector skid long* 100 x 1700	2	155628	Dismantling the standard protector skids					
W 220, W 250, W 250i	2K-Protector skid 50 x 625 (left)	1	155630	2K-Protector skid 50 x 450	1	2106074	2K-Protector skid 40 x 170	6	2129390
				2K-Protector skid 50 x 200	1	2111404			
	2K-Protector skid 50 x 625 (right)	1	155630	2K-Protector skid 50 x 450	2	2106074			

The number of the scraper wear segments is valid for the standard milling width of the corresponding milling machine.

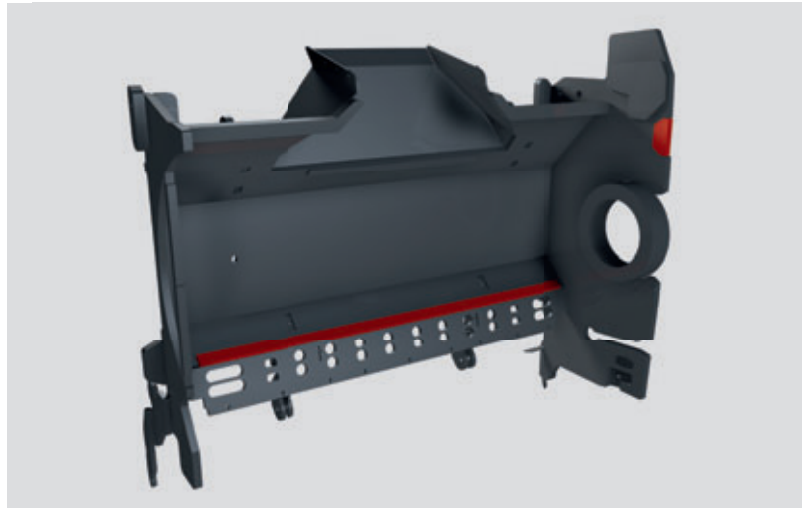
\* Protector skid long = continuous protector skid, e.g. for use on soft soil

# ORIGINAL WIRTGEN WEAR-PROTECTION SEGMENTS INTERIOR OF THE MILLING DRUM HOUSING

Besides the typical wear protection segments, there are some areas on the milling drum housing that are exposed to heavy wear and tear due to normal wear and abrasive material.

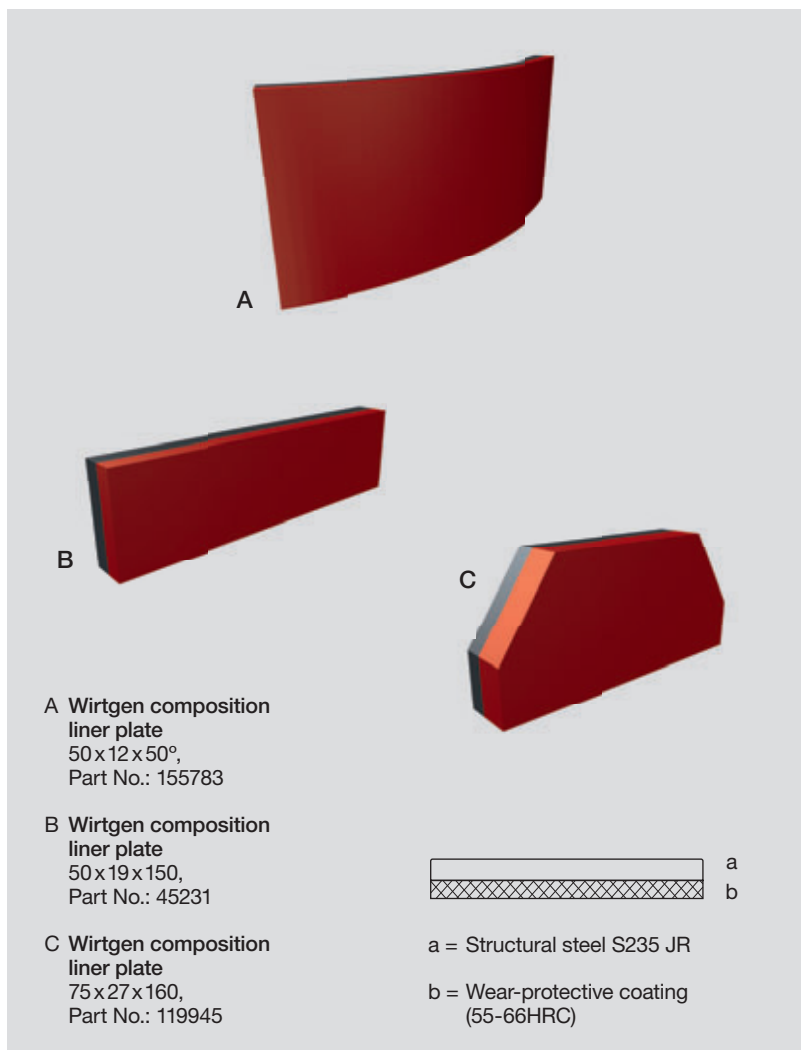
Below you will find Wirtgen composition liner plates that can be replaced individually and across machines. They can be easily welded and are suitable for all drum housings or milling drums.

The Wirtgen composition liner plates consist of two components. These include the structural steel and the wear-protective coating.



Composition liner plate

Part No.	Dimensions (in mm)	Thickness of the structural steel + thickness of the wear protective coating	Type
198392	75 x 8 x 200	3 + 5	B
2112881	50 x 12 x 200	6 + 6	B
157830	50 x 12 x 285	6 + 6	B
155784	50 x 12 x 446	6 + 6	B
155801	100 x 12 x 1524	6 + 6	B
42921	50 x 19 x 1000	10 + 9	B
138899	50 x 19 x 540	10 + 9	B
45229	50 x 19 x 250	10 + 9	B
45230	50 x 19 x 150	10 + 9	B
119945	75 x 27 x 160	10 + 17	C
2166089	75 x 27 x 525	10 + 17	B
155818	100 x 12 x 50°	Bent	A
155783	50 x 12 x 50°	Bent	A







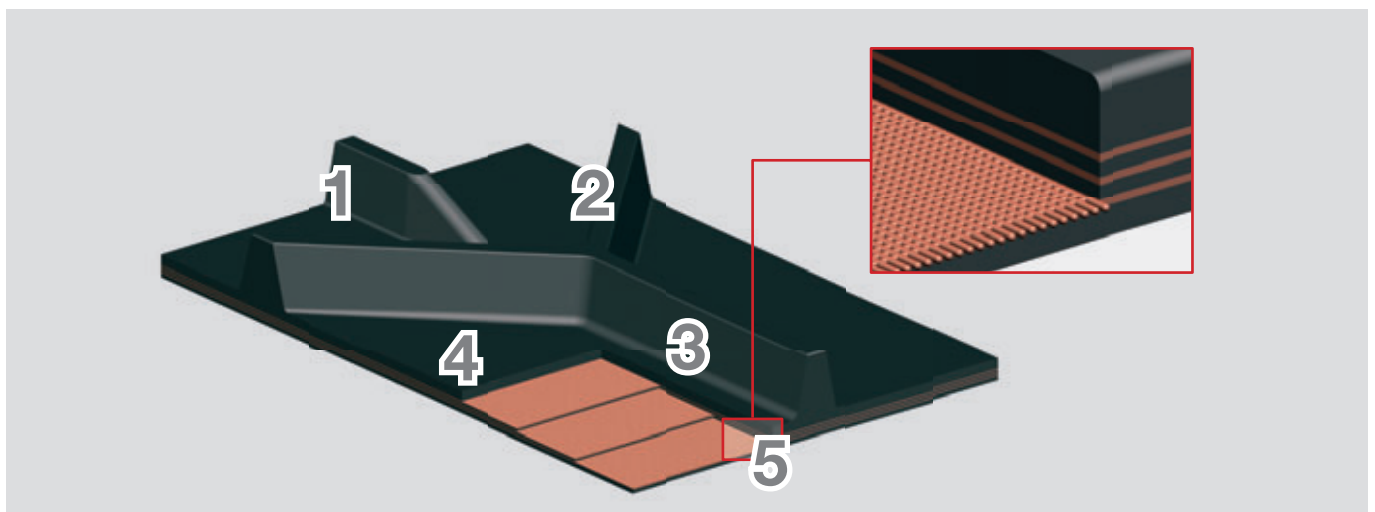


# ORIGINAL WIRTGEN HOT-VULCANISED CONVEYOR BELTS

The performance of a Wirtgen road milling machine depends decisively on the performance of the conveyor system.

Original Wirtgen conveyor belts are characterised by extremely smooth running and delivery rates of up to 1000 tonnes per hour.

Wirtgen conveyor belts are developed on the basis of hot vulcanisation. Original Wirtgen conveyor belts are produced in one step as a continuous band and therefore achieve maximum service life.



- 1** The special profile of the heavy-duty rubber compound ensures smooth running.
- 2** Optimised transverse profile with an integrated seal, and particularly high conveyor gallery increase the desired conveyor output to the highest possible.
- 3** Conveyor cleats and upper layer are produced in a single processing step and are therefore permanently connected.
- 4** The constant elasticity of the conveyor belt ensures high abrasion resistance.
- 5** Up to 800 N per cm belt width ensures highest levels of durability. The belt is made up of an asphalt-resistant upper layer, an elastic intermediate layer, tear-resistant polyester-polyamide layers of fabric and a base layer with an optimised coefficient of friction.

Machine type	Model	Conveyor type	Designation	Part No.
W 35 DC	0403	Discharge conveyor (short)	Conveyor belt B250	182130
		Discharge conveyor (long)	Conveyor belt B250	193070
W 500	0605	Discharge conveyor	Conveyor belt B400	50002
W 50	1005	Discharge conveyor	Conveyor belt B400	50002
W 50 DC	0905	Discharge conveyor	Conveyor belt B400	50002
W 50 Ri	1505	Discharge conveyor	Conveyor belt B350	2279330
		Discharge conveyor (short)	Conveyor belt B350	2323424
W 600 DC, W 1000 L	0705	Discharge conveyor	Conveyor belt B400	97243
W 60, W 100, W 60i, W 100i	0910, 1210	Discharge conveyor	Conveyor belt B500	71776
W 1000 F, W 1200 F, W 1300 F	0710	Loading conveyor	Conveyor belt B600	125134
		Discharge conveyor	Conveyor belt B600	51873
W 100 F, W 120 F, W 130 F	0810	Loading conveyor	Conveyor belt B650	191410
		Discharge conveyor	Conveyor belt B600	51873
		Discharge conveyor (short)	Conveyor belt B600	2068042
W 100 Fi, W 120 Fi, W 130 Fi	1310	Loading conveyor	Conveyor belt B650	2173916
		Discharge conveyor	Conveyor belt B600	51873
		Discharge conveyor (short)	Conveyor belt B600	2068042
W 100 H, W 130 H	1410	Discharge conveyor	Conveyor belt B400	50002
		Folding conveyor	Conveyor belt B400	2327881
W 1500, W 1900	0820, 0920, 1020	Loading conveyor	Conveyor belt B800	52890
		Discharge conveyor	Conveyor belt B800	57482
W 150, W 150i	0513, 0613	Loading conveyor	Conveyor belt B650	2075932
		Discharge conveyor	Conveyor belt B600	51873
		Discharge conveyor (short)	Conveyor belt B600	2068042
W 2000	0620, 1120	Loading conveyor	Conveyor belt B800	112781
		Discharge conveyor	Conveyor belt B800	57482
W 200, W 210, W 200i, W 210i	1220, 1320, 1420, 1520	Loading conveyor	Conveyor belt B850	2106093
		Discharge conveyor	Conveyor belt B850	2106086
W 200 Hi	1720	Loading conveyor	Conveyor belt B800	2212374
		Discharge conveyor	Conveyor belt B800	2219593
		Discharge conveyor	Conveyor belt B850	2106086
W 2100	0921	Loading conveyor	Conveyor belt B1000	53870
		Discharge conveyor	Conveyor belt B1000	138316
W 2200	0821	Loading conveyor	Conveyor belt B1100	116577
		Discharge conveyor	Conveyor belt B1100	116578
W 220	0522	Loading conveyor	Conveyor belt B1100	2161723
		Discharge conveyor	Conveyor belt B1000	2178711
W 250, W 250i	0422, 0622	Loading conveyor	Conveyor belt B1100	116577
		Discharge conveyor	Conveyor belt B1100	2147320



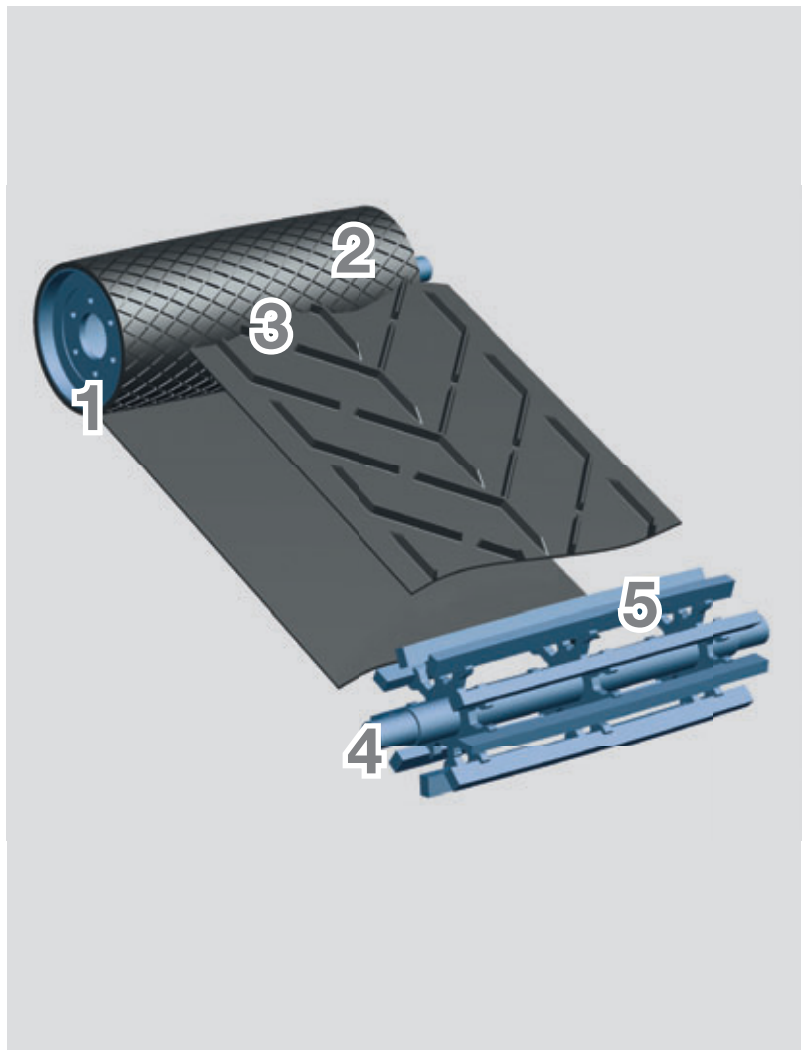
# ORIGINAL WIRTGEN DRIVE AND RETURN ROLLERS

The high milling performance of Wirtgen road milling machines requires reliable transportation of the milled material. In addition to the conveyor belt, the drive and return rollers play a major role.

With their special design and fabrication processes, original Wirtgen drive and return rollers have been specially developed for this task. A reliable power transmission, combined with a high running smoothness, guarantees the high economical efficiency of Wirtgen road milling machines. Here, Wirtgen uses only the best materials. The special rubber compound has an optimised coefficient of friction.



- 1 Thick-walled special rubber compound** with safe power transmission ensures a long service life. The diamond design prevents adhesion of asphalt.
- 2 The permanent bond** between the rubber and metal ensures a long service life.
- 3 Optimised shape and curved outer contour** ensures the accurate belt centring.
- 4 The steel construction with smallest manufacturing tolerances and at least nine support bars** made of high-quality alloy steel ensures safe running and long service life.
- 5 Solid and open design principle** supports the long-term dimensional stability even under extreme conditions and prevents adhesion of asphalt.



Machine type	Model	Conveyor type	Designation	Part No.
W 35 DC	0403	Discharge conveyor	Drive roller B250	182505
			Return roller B250	182519
W 500	0605	Discharge conveyor	Drive roller B400	43231
			Return roller B400	7654
W 50	1005	Discharge conveyor	Drive roller B400	43231
			Return roller B400	7654
W 50 DC	0905	Discharge conveyor	Drive roller B400	43231
			Return roller B400	7654
W 50 Ri	1505	Discharge conveyor	Drive roller B350	2279067
			Return roller B650	2279219
W 600 DC, W 1000 L	0705	Discharge conveyor	Drive roller B400	43231
			Return roller B400	7654
W 60, W 100, W 60i, W 100i	0910, 1220	Discharge conveyor	Drive roller B500	72052
			Return roller B500	72060
W 1000 F, W 1200 F, W 1300 F	0710	Loading and discharge conveyor	Drive roller B600	90117
			Return roller B600	90059
W 100 F, W 120 F, W 130 F, W 100 Fi, W 120 Fi, W 130 Fi	0810, 1310	Loading conveyor	Drive roller B650	190358
			Return roller B650	190357
		Discharge conveyor	Drive roller B600	90117
			Return roller B600	90059
W 100 H, W 130 H	1410	Discharge conveyor	Drive roller B400	43231
			Return roller B400	7654
W 1500, W 1900	0820, 0920, 1020	Loading conveyor	Drive roller B800	52667
			Return roller B800	52666
		Discharge conveyor	Drive roller B800	95865
			Return roller B800	110871
W 150, W 150i	0513, 0613	Loading conveyor	Drive roller B650	190358
			Return roller B650	190357
		Discharge conveyor	Drive roller B600	90117
			Return roller B600	90059
W 2000	0620, 1120	Loading and discharge conveyor	Drive roller B800	95865
			Return roller B800	110871
W 200, W 210, W 200i, W 210i	1220, 1320, 1420, 1520	Loading and discharge conveyor	Drive roller B850	2107985
			Return roller B850	2105093
W 200Hi	1720	Loading and discharge conveyor	Drive roller B800	95865
			Return roller B800	2203028
		Discharge conveyor	Drive roller B850	2107985
			Return roller B850	2105093
W 2100	0921	Loading and discharge conveyor	Drive roller B1000	138926
			Return roller B1000	128671
W 2200	0821	Loading and discharge conveyor	Drive roller B1100	127761
			Return roller B1100	111225
W 220	0522	Loading conveyor	Drive roller B1100	127761
			Return roller B1100	2141645
		Discharge conveyor	Drive roller B1000	138926
			Return roller B1000	2178746
W 250, W 250i	0422, 0622	Loading and discharge conveyor	Drive roller B1100	127761
			Return roller B1100	2141645





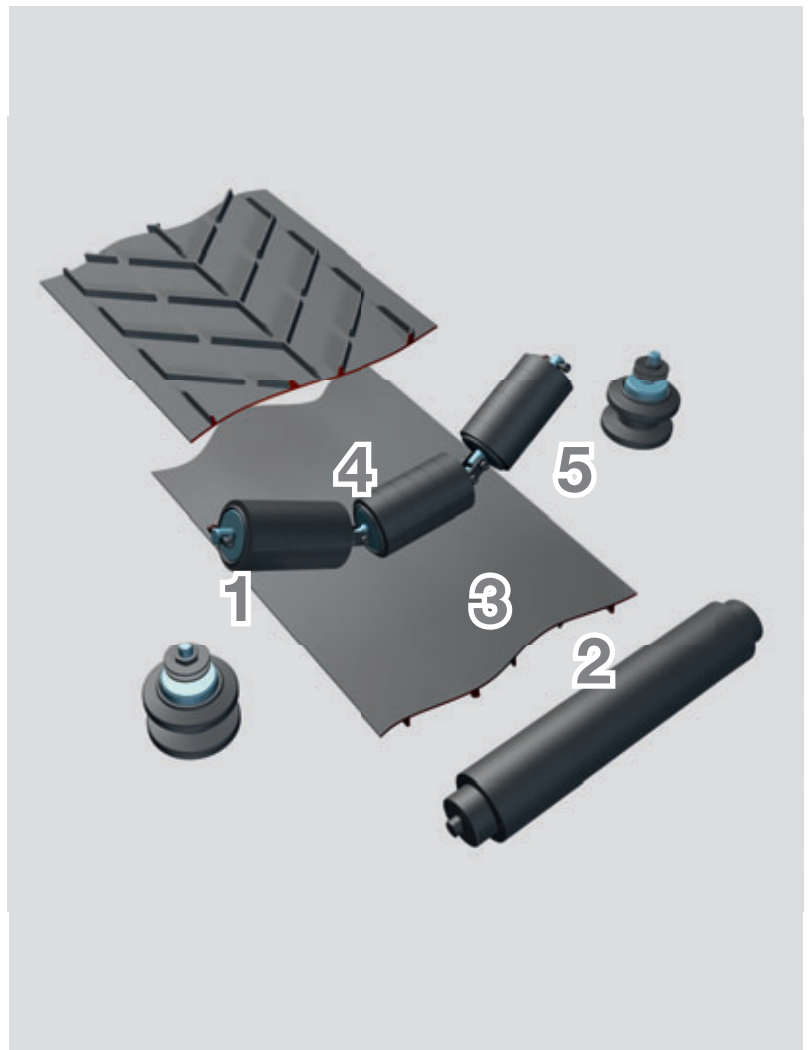
# ORIGINAL WIRTGEN GUIDE ROLLERS AND SUPPORT ROLLERS

Wirtgen conveyor belt systems combine a high conveyor capacity with a low power consumption.

Original Wirtgen guide rollers ensure low-friction circulation of the conveyor belts. High-quality bearings of the rollers and wear-resistant running surfaces are the essential features. Easily detachable connections make changing guide rollers a simple task.



- 1 High-quality heat-treated connecting elements** for maximum load capacity of garland rollers move freely and avoid adhesion of asphalt.
- 2 Generously dimensioned buffer rings** reduce the conveyor belt loads and rubberised belt rollers ensure ease of guidance and cleaning of the conveyor belt.
- 3 Materials used with minimal friction coefficients** reduce wear on the support roller.
- 4 Automatic, trough-shaped conveyor belt adjustment** in the garland roller area increases capacity.
- 5 High-quality roller bearings** with labyrinth seals enhance the low friction and safe guide, lateral conveyor belt guide ensures directional stability.







Close to our customers

Machine type	Model	Roller type	No. of components used			Part No.	Replacement bearing kit
			Discharge conveyor				Part No. (per individual roller)
			Standard	short	long		
W 35 DC	0403	Support roller B250		4	6	182129	2145406
W 500	0605	Guide roller	2			54954	2145406
		Support roller B400	10			8363	
		Belt roller B400		3	5	71844	
W 50, W 50 DC	0905, 1005, 1205	Guide roller	2	2		54954	2145406
		Roller B400	7	0		171832	
		Belt roller B400	3	3		71844	
W 50 Ri	1405, 1505	Guide roller	2			54954	
		Roller B350	9	4		2279085	
		Belt roller B350	3	1		2279214	
W 600 DC, W 1000 L	0705	Guide roller	4			54954	2145406
		Roller B400	4			99285	
		Roller B400	6			99286	
		Belt roller B400	5			71844	
W 60, W 100, W 60i, W 100i	0910, 1210	Guide roller	4			54954	2145406
		Roller B500	4			72068	
		Roller B500	7			71777	
		Belt roller B500	6			72067	



# ORIGINAL WIRTGEN GUIDE ROLLERS AND SUPPORT ROLLERS

Machine type	Model	Roller type	No. of components used				Part No.	Replacement bearing kit
			Loading conveyor	Discharge conveyor				Part No. (per individual roller)
				Standard	Folding conveyor	Folding conveyor short		
W 1000 F, W 1200 F, W 1300 F	0710	Guide roller	2	4			54954	
		Roller B600	6	4			90120	2145406
		Roller B600		7			90122	
		Belt roller B600	3	6			90121	
W 100 F, W 120 F, W 130 F, W 100 Fi, W 120 Fi, W 130 Fi	0810, 1310	Guide roller	2	4			54954	
		Roller B650	6				190448	2137880
		Belt roller B650	3				191392	2145406
		Roller B600		4			90120	
		Roller B600		7		6	90122	
		Belt roller B600		6	5	4	90121	
W 100 H, W 130 H	1410	Guide roller		2	4		54954	
		Roller B400		8	11		171832	2145406
		Belt roller B400		3	4		71844	
W 1500, W 1900	0820, 0920, 1020	Guide roller	2	4			54954	
		Roller B800		10	11		111363	2137880
		Roller B800	4				65967	
		Belt roller B800	2				52889	
		Belt roller B800		5			111348	
W 150, W 150i	0513, 0613	Guide roller	2	4			54954	
		Roller B650	4				190448	2137880
		Belt roller B650	2				191392	2145406
		Roller B600		4			90120	
		Roller B600		7		6	90122	
		Belt roller B600		6	5	4	90121	

Machine type	Model	Roller type	No. of components used			Part No.	Replacement bearing kit
			Loading conveyor	Discharge conveyor			Part No. (per individual roller)
				Standard	Folding conveyor		
W 2000	0620, 1120	Guide roller	4	4		54954	
		Roller B800	5	10	11	111363	2137880
		Belt roller B800	2	5		111348	2145406
W 200, W 210, W 200i, W 210i	1220, 1320, 1420, 1520	Guide roller	2	4		54954	
		Roller B850	5	10		2091189	2137880
		Belt roller B850	2	5		2091190	2145410
W 200 Hi	1620, 1720	Guide roller	2	4		54954	
		Roller B800	5		7	111363	2137880
		Belt roller B800	2		3	2104500	2145406
		Roller B850			10	2091189	2137880
		Belt roller B850			5	2091190	2145410
W 2100	0921	Guide roller	4	4		54954	
		Roller B1000	5	10	11	138312	2145408
		Belt roller B1000	2			146073	2137880
		Belt roller B1000		5		53907	2145406
W 2200	0821	Guide roller		4		54954	
		Roller B1100	6	10	11	116524	2145408
		Belt roller B1100	2			146072	2137880
		Belt roller B1100		5		116747	2145406
W 220	0522	Guide roller	2	4		54954	
		Roller B1100	6			116524	2145408
		Belt roller B1100	2			2147184	2145410
		Roller B1000		10	9	138312	2145408
		Belt roller B1000		5		2219716	2145410
W 250, W 250i	0422, 0622	Guide roller	2	4		54954	
		Roller B1100	6	10	9	116524	2145408
		Belt roller B1100	2	5		2147184	2145410



# ORIGINAL WIRTGEN CRAWLER UNIT CHAINS

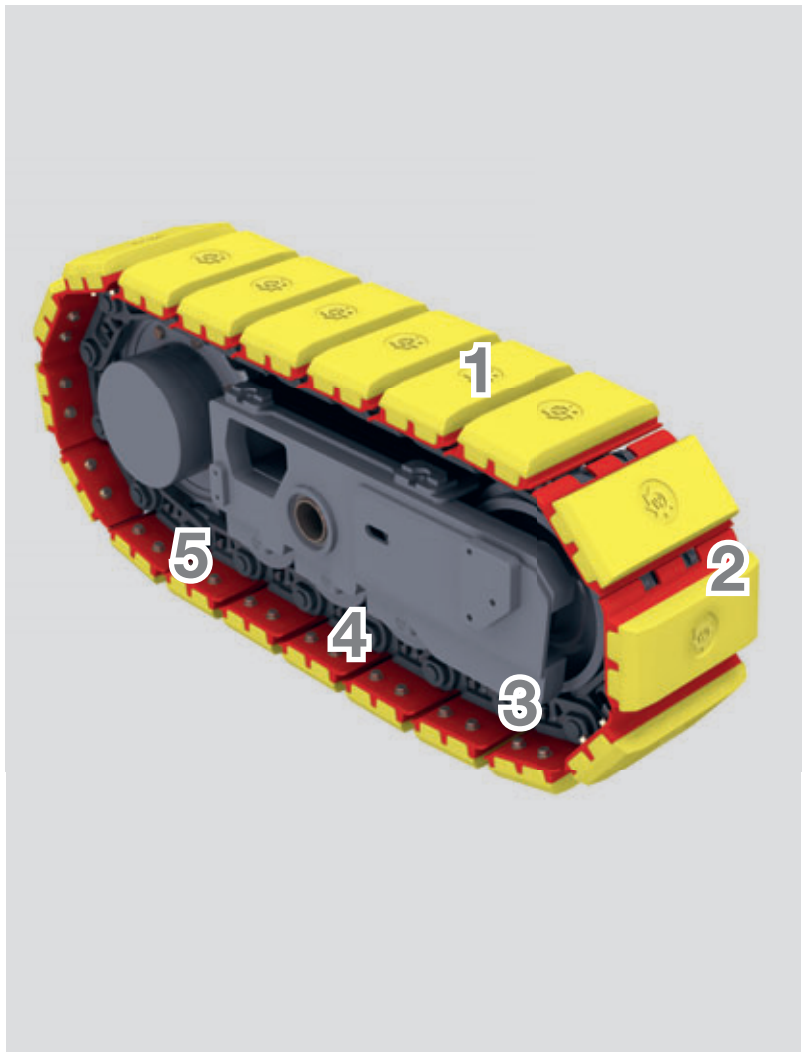
With Wirtgen's modern machines, reliable tractive power transmission goes without saying, even under the toughest conditions on site.

Original Wirtgen crawler unit chains with their bolted-on conventional or EPS track pads can fulfil all of your needs, such as highest levels of strength and long service lives even under extreme load.

Wirtgen crawler unit chains are matched in size and material to the drive wheels, track pads and track rollers.



- 1 In conventional or EPS track pads**, a type of modular system reduces the number of wearing parts.
- 2 Hinges** withhold extreme soiling and screw connections provide, through optimised elongation length, high dynamic load capacity.
- 3 Heat-treated chain pins and bushings**, lubricated in part, are wear-resistant and serve in the highest capacity to withstand stresses.
- 4 Induction-hardened, curved treads** perfect the wear behaviour.
- 5 Special design** and high intrinsic strength of the chain links guarantee the permanent edge stability.



Machine type	Model	Series range	Track chain without track pads		Track chain with conventional track pads			Track chain with EPS pads		
			Designation	Part No.	Designation	No. of track pads	Part No.	Designation	No. of track pads	Part No.
W 1000 F, W 1200 F, W 1300 F, W 100 F, W 120 F, W 130 F, W 100 Fi, W120 Fi, W 130 Fi	0710, 0810, 1310	0001 - 9999	Track chain W1/20	131296	Crawler unit chain W1/20-260	20	131303	Crawler unit chain W1/20-260 EPS	20	2121472
W 1500, W 1900	0820, 0920, 1020	0001 - 9999	Track chain W1/24	108750	Crawler unit chain W1/24-260	24	108756	Crawler unit chain W1/24-260 EPS	24	2136667
W 150, W 150i	0513, 1613	0001 - 9999	Track chain W1/20	131296	Crawler unit chain W1/20-260	20	131303	Crawler unit chain W1/20-260 EPS	20	2121472
W 2000	0620, 1120	0001 - 9999	Track chain W3/23	121236	Crawler unit chain W3/23-300	23	121235	Crawler unit chain W3/23-300 EPS	23	2136665
W 200, W 200i, W 200 H, W 200 Hi	1220, 1420, 1620, 1720	0001 - 9999	Track chain W1/24	108750	Crawler unit chain W1/24-260	24	108756	Crawler unit chain W1/24-260 EPS	24	2136667
W 2100	0921	0001 - 0147	Track chain W4/24	41344	Crawler unit chain W4/24-350	24	41345			
		0148 - 9999	Track chain W4/24	191688	Crawler unit chain W4/24-350	24	193228	Crawler unit chain W4/24-350 EPS	24	2213105
W 210, W 210i	1320, 1520	0001 - 9999	Track chain W3/23	121236	Crawler unit chain W3/23-300	23	121235	Crawler unit chain W3/23-300 EPS	23	2136665
W 2200	0821	0001 - 9999	Track chain W5/26	176322	Crawler unit chain W5/26-360	26	176321			
W 220	0522	0001 - 9999	Track chain W4/24	191688	Crawler unit chain W4/24-350	24	193228	Crawler unit chain W4/24-350 EPS	24	2213105
W 250, W 250i	0422, 0622	0001 - 9999	Track chain W5/26	176322	Crawler unit chain W5/26-360	26	176321			
SP 150, SP 15, SP 15i	09SP, 12SP, 14SP	0001 - 9999	Track chain W1/20	131296	Crawler unit chain W1/20-260	20	131303	Crawler unit chain W1/20-260 EPS	20	2121472
SP 250, SP 500, SP 25, SP 25i	02SP, 04SP, 08SP, 10SP, 13SP, 15SP	0001 - 9999	Track chain W0/27	120561	Crawler unit chain W0/27-300	27	120610			





# ORIGINAL WIRTGEN TRACK PADS POLY GRIP EASY PAD SYSTEM (EPS)

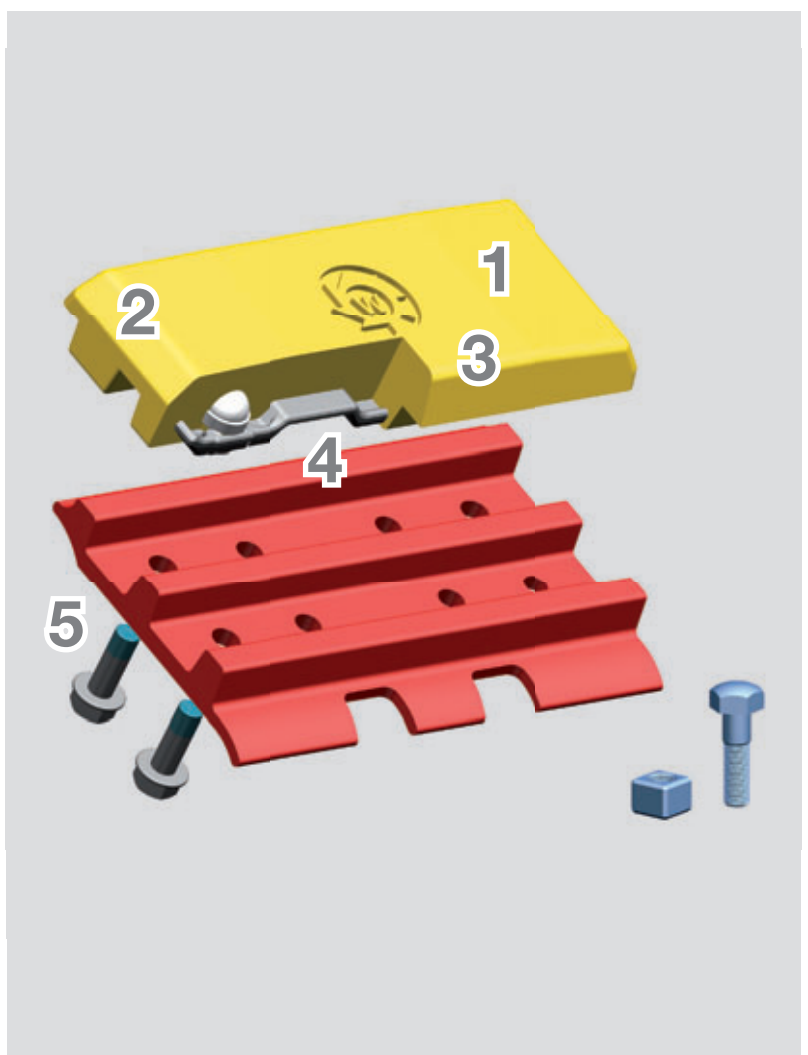
The Easy Pad system is an innovation in the original Wirtgen POLY GRIP series track pads, identifiable by their red and yellow colour combination. It allows the pads to be replaced simply by unscrewing them from the baseplate when the useful polyurethane layer is worn through. The compact spare part simplifies transport and assembly.

The EPS track pad has no holes which can accumulate and cake milled material. Subsequently the track pads conserve the finished ground.

All components are available individually or as a service package per crawler unit.



- 1 The closed surface** ensures a cleaner site and offers safe transport and an increased wear volume with more than 13 % compared to the conventional system.
- 2 Angled tread** for optimised running characteristics combined with rounded edges and small slopes with projection to the baseplate to prevent damage to curbs.
- 3 Special polyurethane** compound with high volume coefficient ensures extremely high tensile strength and longer service life.
- 4 Threaded steel inserts** ensure the connection to the steel plate by metallic contact, whereby the high-quality heat-treated, on all sides blasted and coated baseplate with special boron steel has a good hinge capability.
- 5 Fine thread screws** and screw retention provide a reliable connection and facilitate mounting thanks to good accessibility of the screw.



Machine type	Model	Series range	Base plate		Pad		Set of screws	
			Designation	Part No.	Designation	Part No.	Quantity	Part No.
W 1000 F, W 1200 F, W 1300 F, W 100 F, W 120 F, W 130 F, W 100 Fi, W 120 Fi, W 130 Fi	0710, 0810, 1310	0001 - 9999	POLY GRIP EPS W1/260 BASIS	2063489	POLY GRIP EPS W1/260 PAD	2102696	100 pieces	2103002
W 1500, W 1900	0920, 1020	0001 - 9999	POLY GRIP EPS W1/260 BASIS	2063489	POLY GRIP EPS W1/260 PAD	2102696	100 pieces	2103002
W 150, W 150i	0513, 0613	0001 - 9999	POLY GRIP EPS W1/260 BASIS	2063489	POLY GRIP EPS W1/260 PAD	2102696	100 pieces	2103002
W 200, W 200i, W 200 H, W 200 Hi	1220, 1420, 1620, 1720	0001 - 9999	POLY GRIP EPS W1/260 BASIS	2063489	POLY GRIP EPS W1/260 PAD	2102696	100 pieces	2103002
W 2000	0620, 1120	0001 - 9999	POLY GRIP EPS W3/300 BASIS	2063490	POLY GRIP EPS W3/300 PAD	2102697	100 pieces	2103002
W 2100	0921	0001 - 9999	POLY GRIP EPS W4/350 BASIS	2063491	POLY GRIP EPS W4/350 PAD	2102698	50 pieces	2103003
W 210, W 210i	1320, 1520	0001 - 9999	POLY GRIP EPS W3/300 BASIS	2063490	POLY GRIP EPS W3/300 PAD	2102697	100 pieces	2103002
W 2200	0821	0001 - 9999	POLY GRIP EPS W5/360 BASIS	2063492	POLY GRIP EPS W5/360 PAD	2102699	50 pieces	2103003
W 220	0522	0001 - 9999	POLY GRIP EPS W4/350 BASIS	2063491	POLY GRIP EPS W4/350 PAD	2102698	50 pieces	2103003
W 250, W 250i	0422, 0622	0001 - 9999	POLY GRIP EPS W5/360 BASIS	2063492	POLY GRIP EPS W5/360 PAD	2102699	50 pieces	2103003

EPS screw (separate) for pad size W1 and W3: 2167049

EPS screw (separate) for pad size W4 and W5: 2167050

# ORIGINAL WIRTGEN SERVICE PACKAGES FOR TRACK PADS POLY GRIP EASY PAD SYSTEM (EPS)

Maschine type	Model	Series range	Pads per crawler unit	Service package I (for converting a crawler unit to EPS, without crawler unit chain)	Service package II (EPS pads with nuts for one crawler track, without crawler unit chain)
				Part No.	Part No.
W 1000 F, W 1200 F, W 1300 F, W 100 F, W 120 F, W 130 F, W 100 Fi, W 120 Fi, W 130 Fi	0710, 0810, 1310	0001 - 9999	20	2063498	2063504
W 1500, W 1900	0820, 0920, 1020	0001 - 9999	24	2063499	2063505
W 150, W 150i	0513, 0613	0001 - 9999	20	2063498	2063504
W 2000	0620, 1120	0001 - 9999	23	2063500	2063506
W 200, W 200i	1220, 1420	0001 - 9999	24		2063505
W 200 H, W 200 Hi	1620, 1720	0001 - 9999	24		2063505
W 2100	0921	0001 - 9999	24	2063502	2063649
W 210, W 210i	1320, 1520	0001 - 9999	23		2063506
W 2200	0821	0001 - 9999	26	2063503	2063650
W 220	0522	0001 - 9999	24		2063649
W 250, W 250i	0422, 0622	0001 - 9999	26		2063650

Maschine type	Model	Series range	EPS pallet service package – large-scale order (contains all the EPS track pads not including the steel base plate, including an adequate number of all the necessary bolts)	
			Track pads per pallet	Part No.
W 1000 F, W 1200 F, W 1300 F, W 100 F, W 120 F, W 130 F, W 100 Fi, W 120 Fi, W 130 Fi	0710, 0810, 1310	0001 - 9999	200	2275797
W 1500, W 1900	0820, 0920, 1020	0001 - 9999	200	2275797
W 150, W 150i	0513, 0613	0001 - 9999	200	2275797
W 2000	0620, 1120	0001 - 9999	200	2275798
W 200, W 200i	1220, 1420	0001 - 9999	200	2275797
W 200 H, W 200 Hi	1620, 1720	0001 - 9999	200	2275797
W 2100	0921	0001 - 9999	100	2275799
W 210, W 210i	1320, 1520	0001 - 9999	200	2275798
W 2200	0821	0001 - 9999	104	2275800
W 220	0522	0001 - 9999	100	2275799
W 250, W 250i	0422, 0622	0001 - 9999	104	2275800

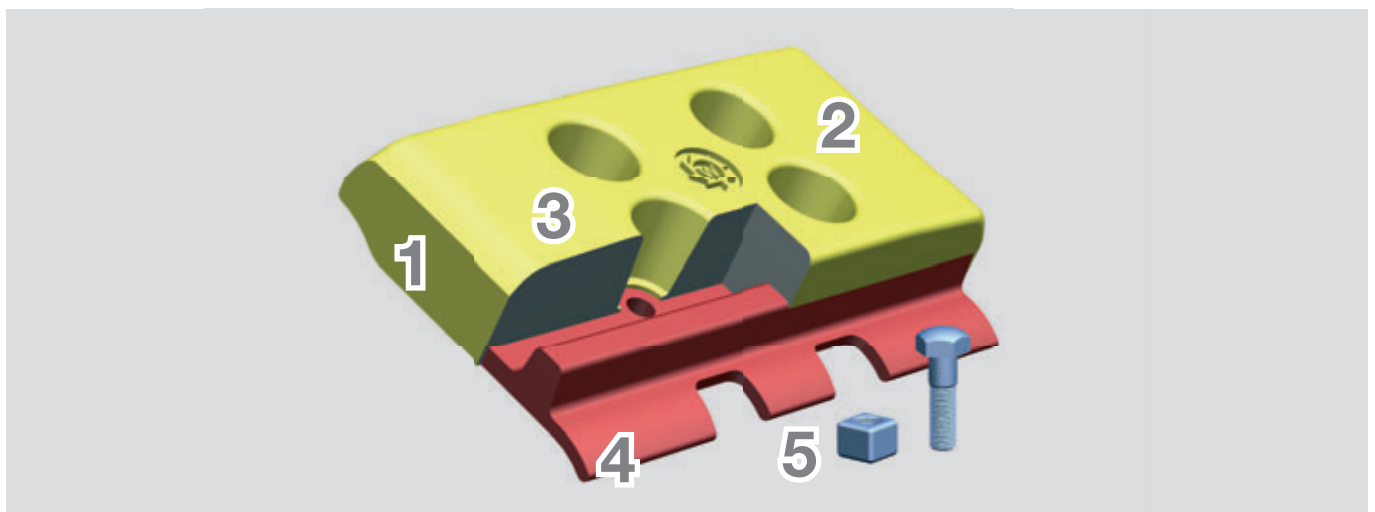


# ORIGINAL WIRTGEN TRACK PADS POLY GRIP CONVENTIONAL SYSTEM

In the tough everyday conditions on job sites, plastic pads prevent the asphalt pavement being damaged by road milling machines.

The red and yellow colour combination identifies the original Wirtgen POLY GRIP series track pads, which consist of a steel base plate made of high-quality heat-treated boron steel and a coated pad made of a polyurethane mixture. The latter was chosen so that on a variety of terrains reliable traction is always guaranteed. Here, the terrain can be loose and unattached, as well as smooth and hard.

POLY GRIP track pads are fitted directly on the chain links with nuts and bolts.



- 1** The special polyurethane mixture ensures a stable and service-life enhancing joint structure, even under high-localised stresses.
- 2** The high polyurethane volume ensures an extremely long life.
- 3** The wear and tear resistance as well as the angled tread of the track pads are particularly impressive when driving over sharp (milling) edges or curbs, for example.
- 4** The high-quality heat-treated, all sides blasted and coated steel plates made of special boron steel provide an optimised bonding to the polyurethane composition material.
- 5** High-strength track pad bolting with rounded head and fine thread provides a durable and reliable screw connection.



Maschine type	Model	Series range	Track pad	Part No.	Bolt	Nut
W 1000 F, W 1200 F, W 1300 F, W 100 F, W 120 F, W 130 F, W 100 Fi, W 120 Fi, W 130 Fi	0710, 0810, 1310	0001 - 9999	POLY GRIP W1/260	150740	18501	18502
W 150, W 150i	0513, 0613	0001 - 9999	POLY GRIP W1/260	150740	18501	18502
W 1500, W 1900	0820, 0920, 1020	0001 - 9999	POLY GRIP W1/260	150740	18501	18502
W 2000	0620, 1120	0001 - 9999	POLY GRIP W3/300	150821	1861	1860
W 2100	0921	0001 - 9999	POLY GRIP W4/350	144728	37824	37825
W 2200	0821	0001 - 9999	POLY GRIP W5/360	144727	43500	43499
SP 150, SP 15, SP 15i	09SP, 12SP, 14SP	0001 - 9999	POLY GRIP W1/260	150740	18501	18502
SP 250, SP 500, SP 25, SP 25i	02SP, 04SP, 08SP, 10SP, 13SP, 15SP	0001 - 9999	POLY GRIP W0/300	151757	120552	120553
SP 850, SP 850 Vario, SP 1500L	05SP, 07SP, 06SP	0001 - 9999	POLY GRIP W3/300	150821	1861	1860
SP 1600	03SP	0001 - 9999	POLY GRIP W5/500	151765	43500	43499

Maschine type	Model	Series range	Service package I (all components necessary for one crawler unit)		Service package II (all components necessary to fit the stated number of track pads)	
			Track pads per crawler track	Part No.	Track pads per pallet	Part No.
W 1000 F, W 1200 F, W 1300 F, W 100 F, W 120 F, W 130 F, W 100 Fi, W 120 Fi, W 130 Fi	0710, 0810, 1310	0001 - 9999	20	162455	200	2063664
W 1500, W 1900	0820, 0920, 1020	0001 - 9999	24	85186	200	2063664
W 150, W 150i	0513, 0613	0001 - 9999	20	162455	200	2063664
W 2000	0620, 1120	0001 - 9999	23	162456	200	2063665
W 2100	0921	0001 - 9999	24	165045	100	2063666
W 2200	0821	0001 - 9999	26	130346	104	2063667
SP 150, SP 15, SP 15i	09SP, 12SP, 14SP	0001 - 9999	20	162455	200	2063664



# ORIGINAL WIRTGEN TRACK ROLLERS

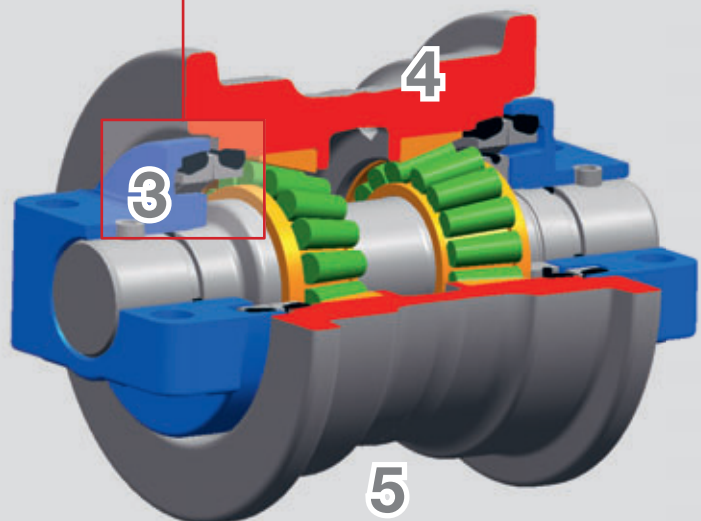
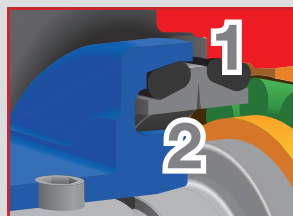
Wirtgen road milling machines are famous for their high advance speeds even with large milling depths. The crawler units and particularly the track rollers on road milling machines are exposed to very high-load conditions. They have to absorb high-machine loads and still provide outstanding in-line tracking.

Wirtgen uses high-quality track rollers mounted in antifriction or friction bearings which have been exclusively developed for the respective machine types concerned. Particular emphasis was placed on optimal performance without maintenance.



- 1** The **O-ring** ensures maximum temperature stability.
- 2** Distortion-free cast iron ring with microporosity stands for reliable lubrication.
- 3** Maintenance-free seals mean no awkward seal replacement.
- 4** Antifriction bearing setting for long service life. The antifriction bearings are lubricated for life.
- 5** Hardness of the profile-exact manufactured tread fits the Wirtgen crawler unit chains exactly and increases durability.

Friction ring seal



Maschine type	Model	Series range	Track roller antifriction bearing	Track roller friction bearing	Part No.
W 1000 F, W 1200 F, W 1300 F	0710	0001 - 9999	Track roller W1 R HE		193999
W 100 F, W 120 F, W 130 F, W 100 Fi, W 120 Fi, W 130 Fi	0810, 1310	0001 - 9999	Track roller W1 HE		191936
W 1500, W 1900	0820, 0920 1020	0001 - 9999	Track roller W1 R HE		193999
W 150, W 150i	0513	0001 - 9999	Track roller W1 HE		191936
W 2000	0620, 1120	0001 - 9999	Track roller W3 HE		2066123
W 200, W 200i, W 200 H, W 200 Hi	1220, 1420, 1620, 1720	0001 - 9999	Track roller W1 R HE		191936
W 2100	0921	0001 - 9999	Track roller W4 HE		2070670
W 210, W 210i	1320, 1520	0001 - 9999	Track roller W3 HE		2111494
W 2200	0821	0001 - 0311		Track roller W5 F	118719
		0312 - 9999		Track roller W5 F	2053169
W 220	0522	0001 - 9999	Track roller W4 HE		2070670
W 250, W 250i	0422, 0622	0001 - 9999	Track roller W5 HE		2165046
SP 150, SP 15, SP 15i	09SP, 12SP, 14SP	0001 - 9999	Track roller W1 HE		191936



# ORIGINAL WIRTGEN CRAWLER UNIT PARTS

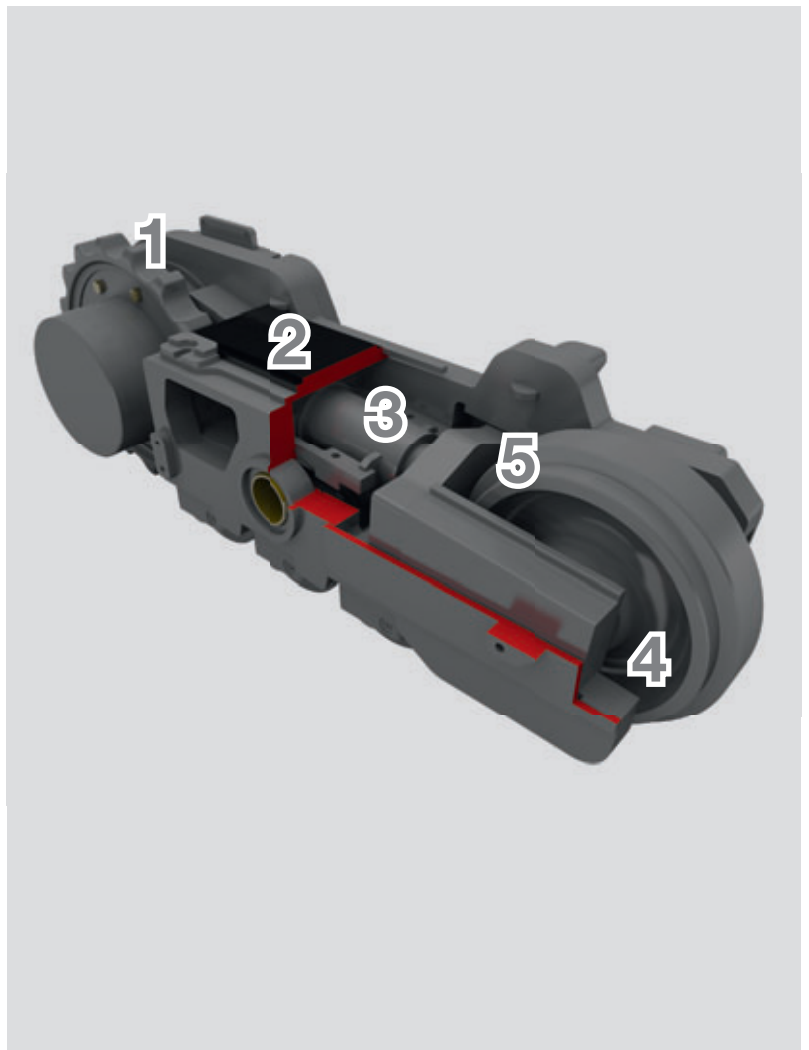
The Wirtgen crawler units are designed to translate motive power into powerful feed during the milling process even in tough everyday site conditions.

All parts are precisely shaped and dimensioned to match the chain and ensure both effective power transmission and precise maintenance of the set course. The materials used guarantee a long service life and high functional reliability.

Preassembled idler units and tensioner systems permit rapid replacement, thus boosting the machine's availability.



- 1 Drive wheel of hardened, highly wear-resistant cast steel** ensures long life, its perfect fit ensures the optimal power transmission.
- 2 Sound-insulating chain slide bar** made of self-lubricating polyamide is supported by precision pivot bearings with optimum sliding properties and high-load capacity.
- 3 Shock-insensitive and maintenance-free hydraulic tensioner** ensures that the tensioning is always correct.
- 4 Hardened guide system** provides continuous tracking capability.
- 5 Oil-lubricated idler unit** made of wear-resistant material ensures precise tracking.



Maschine type	Model	Series range	Tensioner unit Spring / grease-system				Tensioner unit Hydraulic cylinder system	
			Tensioner unit complete		Grease nipple	Sealing kit tensioner	Tensioner unit complete	Sealing kit tensioner
			front	rear				
W 1000 F	0710	0008 - 9999					129987	129989
W 100 F, W 120 F, W 130 F, W 100 Fi, W 120 Fi, W 130 Fi	0810, 1310	0001 - 9999					2056849	2056852
W 1500, W 1900	0820, 1020	0001 - 9999	106035	106036	38480	101814		
W 150, W 150i	0513, 0613	0001 - 9999					2056849	2056852
W 2000	0620, 1120	0001 - 9999	121233	121233	38480	149063		
W 200, W 200i, W 200 H, W 200 Hi	1220, 1420, 1620, 1720	0001 - 9999					2056849	2056852
W 2100	0921	0001 - 9999					133015	133016
W 210, W 210i	1320, 1520	0001 - 9999					2056849	2056852
W 2200	0821	0001 - 9999					133015	133016
W 220	0422	0001 - 9999					133015	133016
W 250, W 250i	0422, 0622	0003 - 9999					133015	133016
SP 150, SP 15, SP 15i	09SP, 12SP, 14SP	0001 - 9999					2056849	2056852

Maschine type	Model	Series range	Drive wheel	Idler unit incl. idler guiding	Idler unit compl. incl. tensioner unit		Chain slide bar	Pivot bearing	
					front	rear		Bushing	Pivot bearing
W 1000 F, W 1200 F, W 1300 F	0710	0008 - 9999	55602	87705					2 x 18503
W 100 F, W 120 F, W 130 F, W 100 Fi, W 120 Fi, W 130 Fi	0810, 1310	0001 - 9999	55602	87705			2056527		2 x 18503
W 150, W 150i	0513, 0613	0001 - 9999	55602	87705			2056527		2 x 18503
W 1900	0820	0001 - 0107	55602	87705	106030	106031		2 x 55660	
		0108 - 9999	55602	87705	106030	106031			2 x 18503
W 2000	0620	0001 - 0293	121234	121232	121231	121231	138451	2 x 121258	
		0294 - 9999	121234	121232	121231	121231	138451		2 x 153718
W 200, W 200i, W 200 H, W 200 Hi	1220, 1420, 1620, 1720	0001 - 9999	55602	2139776			2139779		2 x 153718
W 2100	0921	0001 - 0147	41346	73749			138451		2 x 20345
		0148 - 9999	41346	191689			138451		2 x 20345
W 210, W 210i	1320, 1520	0001 - 9999	121234	2139776			2139779		2 x 153718
W 2200	0821	0001 - 0115	133013	133014			133018	2 x 133017	
		0116 - 9999	133013	133014			133018		2 x 21063
W 220	0522	0001 - 9999	41346	191689			2212009		2 x 21063
W 250, W 250i	0422, 0622	0003 - 9999	133013	133014			133018		2 x 21063
SP 150, SP 15, SP 15i	09SP, 12SP, 14SP	0001 - 9999	55602	87705			2056527	2127559	2 x 18503





# ORIGINAL WIRTGEN WHEELS, RUBBER TYRES, PNEUMATIC AND SOLID RUBBER TYRES

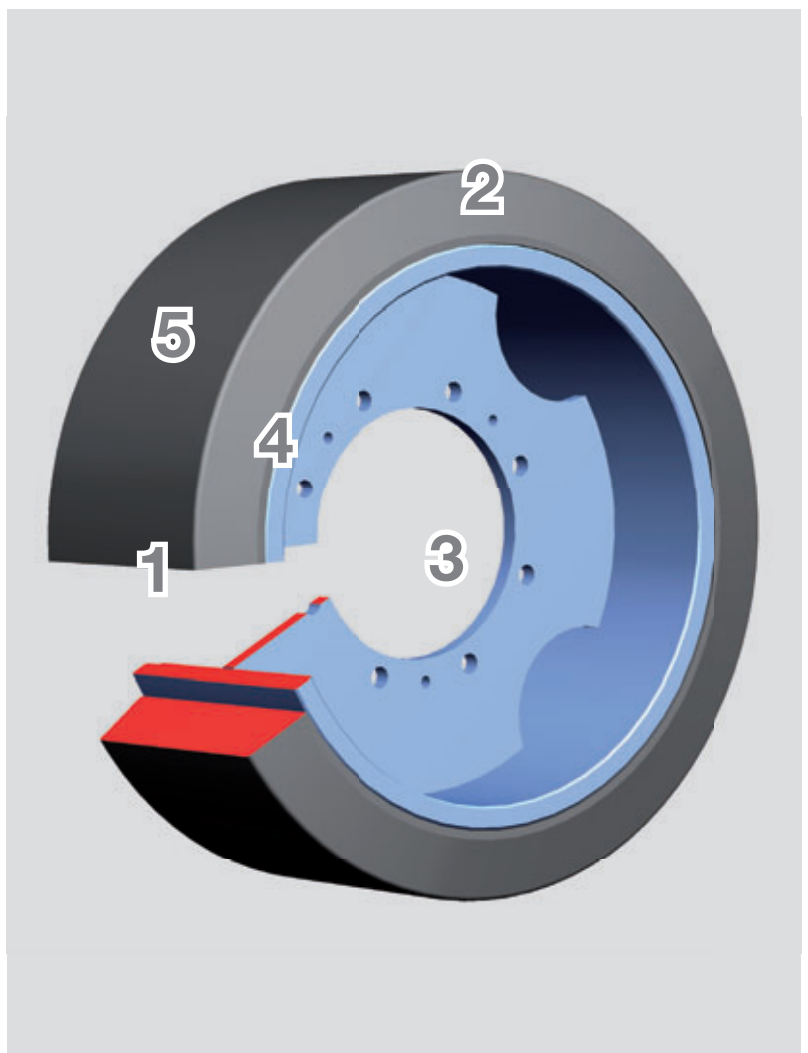


Machine traction is an important basic prerequisite for optimum milling performance. Milling machine and wheels must be matched precisely.

Original Wirtgen wheels have been specially developed on the basis of many years of practical experience to ensure optimum working results by Wirtgen's small milling machines and cold and hot recyclers, as well as to minimise wear costs. Wheels of cut-resistant elastomer rubber should be used for small milling machines. High-quality pneumatic and solid rubber tyres are recommended for cold recyclers.



- 1 Tyre widths** are specially adjusted to the respective milling machine.
- 2 High damping properties** influence the very quiet driving behaviour.
- 3 Precise wheel centring and wheel body** serve the highest stress.
- 4 Durable and reliable rubber-steel connection** guarantees a long service life.
- 5 Cut-resistant elastomer rubber compound** optimises the characteristics of the Wirtgen small milling machines.



# ORIGINAL WIRTGEN WHEELS AND TYRES



Machine type	Model	Series range	Position	Wheel complete	Solid rubber tyre
W 350, W 350 E	0203, 0303	0001 - 9999	front	56529	57151
			rear	109638	
W 35	0503	0001 - 9999	front	2138565	2138566
		0001 - 0039	rear	109638	
		0040 - 9999	rear	181793	
W 35 DC	0403	0001 - 9999	front	2138565	2138566
			rear	181793	
W 500	0605	0001 - 9999	3 wheel front + rear	53348	57151
			4 wheel front	62602	74626
			4 wheel rear	53348	57151
W 50	0805	0001 - 9999	3 wheel front	2136673	2136675
			4 wheel front	2136641	2136645
		0001 - 0067	3 wheel, 4 wheel rear	172139	171108
		0068 - 9999	3 wheel, 4 wheel rear	2136678	2136675
W 50	1005	0001 - 0191	3 wheel front	2136673	2136675
		0001 - 0194	4 wheel front	2136641	2136645
		0192 - 9999	3 wheel front	2136673	2136675
		0195 - 9999	4 wheel front	2136641	2136645
		0001 - 9999	3 wheel, 4 wheel rear	2136678	2136675
W 50 DC	0905	0001 - 0099	3 wheel front	2136673	2136675
		0100 - 9999	3 wheel front	2136683	2136675
		0001 - 0099	4 wheel front	2136641	2136645
		0100 - 9999	4 wheel front	2136670	2136645
		0001 - 0050	3 wheel, 4 wheel rear	173684	57151
		0051 - 9999	3 wheel, 4 wheel rear	2136678	2136675



# ORIGINAL WIRTGEN WHEELS AND TYRES



Close to  
our customers

Machine type	Model	Series range	Position	Wheel complete	Solid rubber tyre
W 50 R, W 60 R, W 50 Ri, W 60 Ri	1405, 1505	0001 - 9999	3 wheel front	2347467	2286953
			4 wheel front	2286975	2286953
			3 wheel, 4 wheel rear	2286962	2136675
W 600 DC, W 1000 L	0705	0001 - 0034	3 wheel front	97720	57151
		0035 - 9999	3 wheel front	111868	56052
		0001 - 0106	4 wheel front	102476	74626
		0107 - 9999	4 wheel front	117051	117053
		0001 - 9999	3 wheel, 4 wheel rear	97720	57151
W 60, W 60i, W 100, W 100i	0910, 1210	0001 - 9999	3 wheel front	2136698	2136699
			4 wheel front	2136687	2136688
			3 wheel, 4 wheel rear	2136695	2136696
W 1000 F, W 1200 F, W 1300 F	0710	0001 - 9999	front + rear	125782	123417
W 100 F, W 120 F, W 130 F	0810	0001 - 9999	front + rear	125782	123417
W 100 Fi, W 120 Fi, W 130 Fi	1310	0001 - 9999	front + rear	125782	123417
W 100 H, W 130 H	1410, 1910	0088 - 9999	front	2149233	2149237
			rear	2149234	2149239

# ORIGINAL WIRTGEN PNEUMATIC AND SOLID RUBBER TYRES



Close to  
our customers

Machine type	Model	Series range	Position	Wheel complete	Tyre	Tube
WR 2000	03WR	0001 - 9999	left front + rear	173541	174912	
			right front + rear	173542		
WR 2400	05WR	0001 - 9999	left front + rear	131456	131453	140981
			right front + rear	131455		
WR 240, WR 240i	07WR, 10WR	0001 - 9999	left front + rear	131456	131453	140981
			right front + rear	131455		
WR 2500, WR 2500 S	04WR	0001 - 9999	left front + rear	131456	131453	140981
			right front + rear	131455		
WR 250	08WR	0001 - 9999	left front + rear	131456	131453	140981
			right front + rear	131455		
Raco 350	H424	0001 - 9999	left front	142753	80017	
			right front	142752		
			left rear	142755	137211	
			right rear	142754		
HM 4500	02HM	0001 - 9999	left front + rear	15680	15374	15375
			right front + rear			
RX 4500	05RX	0001 - 9999	front + rear	32627	32023	
TCM 950, TCM 1800	03BA	0001 - 9999	left front + rear	97433	106455	
			right front + rear			



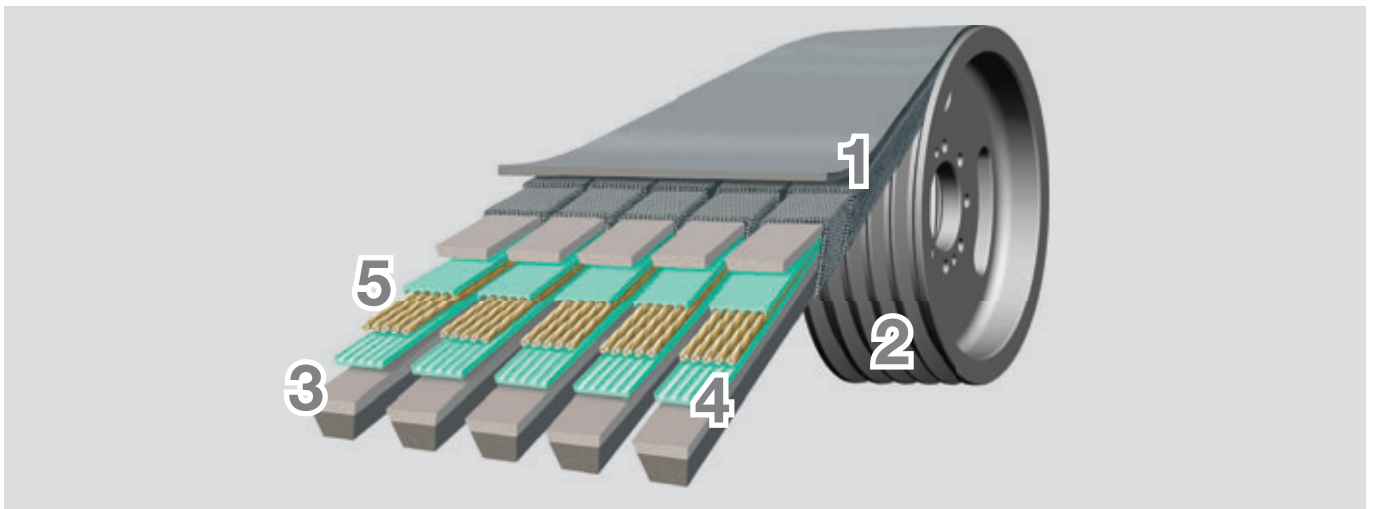
# ORIGINAL WIRTGEN POWER BELTS AND BELT PULLEYS FOR MILLING DRUM DRIVES



The power belts and belt pulleys make up a system that reliably transmits power from the engine to the milling drum and dampens disturbing vibrations.

The durable power belts and belt pulleys are precisely coordinated and optimised with regard to their coefficients of friction, so as to enable reliable transmission of the high tractive forces.

The belt pulleys are made of high-precision casting materials and are dynamically balanced.



- 1 Optimised coefficients of friction** for excellent coupling properties are supported by a multi-layer and abrasion-resistant fabric cover, which consists below the cover of extremely tear-resistant and cross-stable material mixture.
- 2 Wear-reduced belt pulleys** are dynamically balanced for smooth operation and ensure the dissipation of the heat with its optimised form.
- 3 Fibre-reinforced core plate** provides high stability in the transverse direction.
- 4 Compact design** emphasises the excellent flexibility.
- 5 Low-stretch high modulus traction rope** supports the ideal power transmission.



# ORIGINAL WIRTGEN POWER BELTS AND BELT PULLEYS FOR ROAD MILLING MACHINES



Machine type	Model	Series range	Assembly position of belt pulleys when shipped						V-belt compound unit
			Engine/clutch		Milling gearbox		Tensioner roller		
			Belt pulley 1		Belt pulley 2		Belt pulley 3		
			Ø (mm)	Part No.	Ø (mm)	Part No.	Ø (mm)	Part No.	
W 350	0203	0001 - 0594	150	77052	187	77051	96	77054	77050
		0595 - 9999	165	175664	200	175665	105	175666	176066
W 350 E	0303	0001 - 9999	187	77051	150	77052	96	77054	77050
W 35	0503	0001 - 9999	150	66891	187	66892	105	175666	176066
W 35 DC	0403	0001 - 9999	165	175664	200	175665	105	175666	176066
W 50	1005	0001 - 9999	215	170161	230	170170	155	173410	171089
W 50 DC, W 50 DCi	0905, 1205	0001 - 9999	215	170161	230	170170	155	173410	171088
W 50 R, W 60 R, W 50 Ri, W 60 Ri	1405, 1505	0001 - 9999	215	2286039	230	2286049	135	2264517	2365560
W 600 DC	0705	0001 - 9999	250	97146	300	97148	265	97207**	97153
W 1000 L	0705	0001 - 9999	250	97146	280	109646	265	97207**	97153
W 60, W 100, W 60i, W 100i	0910, 1210	0001 - 9999	250	97146	280	97147	190	2046453	2044867
W 1000 F, W 1200 F, W 1300 F	0710	0001 - 9999	250	52203	325	90042	265	97207**	92815
W 100 F, W 120 F, W 130 F, W 100 Fi, W 120 Fi, W 130 Fi	0810, 1310	0001 - 9999	265	191432	315	170796	265	191432	194597
W 1500, W 1900	0820	0001 - 0253	330	142158	280	67150	250	67151	143377
		0254 - 9999			280	148639	250	186903	
	0920	0001 - 0219			280	67150	250	67151	
		0220 - 9999			280	148639	250	186903	
1020	0088 - 9999	280	148639	250	186903				
	0513	0001 - 0103	315	170796	280	67150	250	186903	66894
0104 - 9999		280			148639				
W 150i	0613	0001 - 9999	315	170796	280	148639	250	186903	66894
W 2000*	0620, 1120	0001 - 9999	315	72438	280	114274	250	114275	113850
W 200, W 200i	1220, 1420	0001 - 9999	355	2096843	280	2102336	365	2079000	2117172
W 2100	0921	0001 - 9999	400	80028	355	72437	315	72438	138901
W 210	1320	0006 - 0329	355	2 x 2096843	280	2102336	365	2079000	2099851
		0330 - 9999							2202448
W 210i	1520	0001 - 9999	355	2 x 2096843	280	2102336	365	2079000	2202448
W 2200	0821	0001 - 9999	400	118543	355	118547	315	118545	120650
W 2200 (FB 3500-4300)	0821	0001 - 9999	400	118543	355	118547	315	118545	2 x 134734
W 220	0522	0001 - 0003	420	2096848	355	2101923	365	2163034	2173436
		0004 - 9999							2205179
W 250, W 250i	0422, 0622	0001 - 9999	420	2 x 2096848	355	2101923	365	2099112	2165101

\* FCS upon request · \*\* Tensioner roller incl. bearing

# ORIGINAL WIRTGEN POWER BELTS AND BELT PULLEYS FOR STABILIZERS UND COLD RECYCLERS

## Wirtgen stabilizers and recyclers with 3 belt pulleys

Machine type	Model	Series range	Assembly position of belt pulleys when shipped						V-belt compound unit
			Engine/clutch		Milling gearbox		Tensioner roller		
			Belt pulley 1		Belt pulley 2		Belt pulley 3		
			Ø (mm)	Part No.	Ø (mm)	Part No.	Ø (mm)	Part No.	
WR 2000	03WR	0001 - 9999	400	170798	355	170797	315	170796	173713
WR 200, WR 200i	06WR, 09WR	0001 - 9999	400	170798	355	170797	315	170796	2301089
WR 2400	05WR	0001 - 9999	400	80028	355	72437	315	72438	189294
WR 2500, WR 2500 S	04WR	0001 - 9999	400	80028	355	72437	355	72437	33142
WS 2200, WS 2500	01AS	0001 - 9999	330	182730	330	182730	190	182732	2 x 184981
WS 220, WS 250	02AS	0001 - 9999	330	182730	330	182730	190	182732	2 x 2106383

## Wirtgen stabilizers and recyclers with 4 belt pulleys

Machine type	Model	Series range	Assembly position of belt pulleys when shipped								V-belt compound unit
			Engine/clutch		Milling gearbox		Return roller		Tensioner roller (smooth)		
			Belt pulley 1		Belt pulley 2		Belt pulley 3				
			Ø (mm)	Part no.	Ø (mm)	Part no.	Ø (mm)	Part no.	Ø (mm)	Part no.	
WR 240, WR 240i	07WR, 10WR	0001 - 9999	400	80028	355	72437	315	72438	365	2248223	2194459
WR 250	08WR	0001 - 9999	355	2219396	400	2219400	355	2219396	365	2248223	2240153

1/min rpm				
	112	126	160	181

WR 2000

1/min rpm			
	108	137	154
	117	149	168
	127	161	181

WR 200 and WR 200i

1/min rpm			
	108	137	154
	120	153	172
	133	169	190

WR 240 and WR 240i

1/min rpm			1/min rpm			
	100	127			87	111
	150	190			97	124
					108	137
	150	190			129	164
					145	184
					160	203

WR 2500

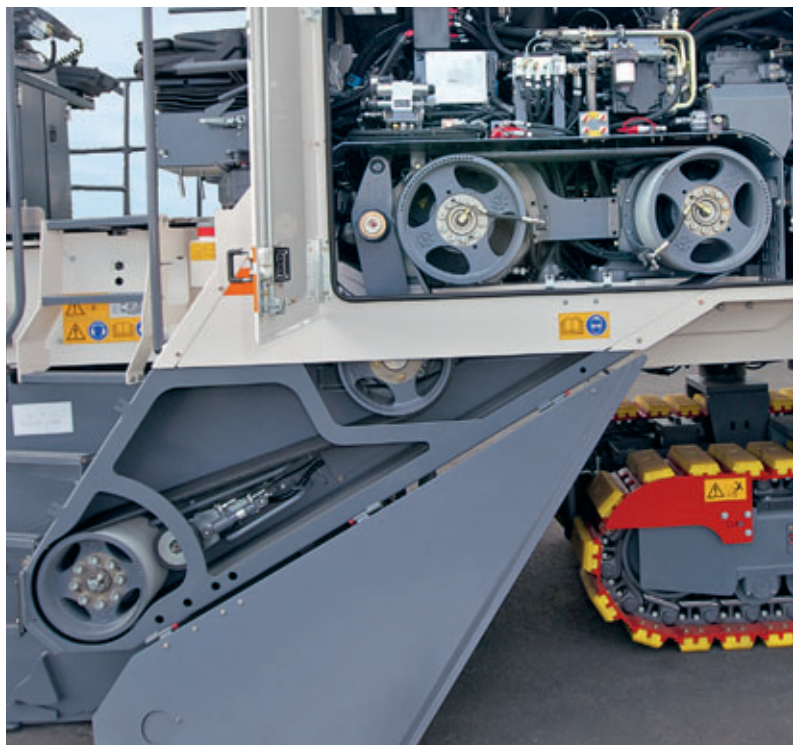
WR 250

# ORIGINAL WIRTGEN BELT TENSIONING SYSTEMS FOR MILLING DRUM DRIVES

The belt tensioning system ensures that belts are tensioned to the extent necessary for reliable transmission of the power and simultaneously serves as a damping element during load cycles.

Due to the system's intelligent conceptual design, the belt tension is automatically adjusted throughout the service life of the power belts and makes it easier to replace them during maintenance work.

The bearing shaft is made of high-strength steel which is additionally galvanised to protect it against corrosion. The bearing seats are hardened and ground. They guarantee the precise fit of the bearings and ensure a long service life.



Small milling machines			Tensioner roller			
Machine type	Model	Series range	Bearing shaft	Bearing 1 (inside)	Bearing 2 (outside)	Tensioner/ Tensioner arm
W 350	0203	0001 - 0594	77055	10981	10981	68181
		0595 - 9999	175832			
W 350 E	0303	0001 - 9999	77055	10981	10981	68181
W 35	0503	0001 - 9999	175832	2463	10981	68181
W 35 DC	0403	0001 - 9999	175832	2463	10981	68181
W 50, W 50 DC, W 50 DCi	1005, 0905, 1205	0001 - 9999	173409	86498	12071	176568
W 50 R, W 60 R, W 50 Ri, W 60 Ri	1405, 1505	0001 - 9999	2264514	86498	86498	2264499
W 600 DC, W 1000 L	0705	0001 - 9999		2473	2473	53031
W 60, W 60i	0910, 1210	0001 - 9999		2473	2473	2046451
W 1000	0410, 0510	0001 - 9999		2473	2473	53031
W 100, W 100i	0910, 1210	0001 - 9999		2473	2473	2064106
W 1000 F, W 1200 F, W 1300 F	0710	0001 - 9999		2473	2473	93991, 97207
W 100 F, W 120 F, W 130 F, W 100 Fi, W 120 Fi, W 130 Fi	0810, 1310	0001 - 9999	172728	89593	11465	

Large milling machines/recyclers			Tensioner roller			
Machine type	Model	Series range	Bearing shaft	Bearing 1 (inside)	Bearing 2 (outside)	Sealing rings
W 1500, W 1900	0820, 0920	0001 - 0253	143169	89593	11465	
		0254 - 9999	187006			
	1020	0001 - 9999				
W 150, W 150i	0513, 0613	0001 - 9999	187006	89593	11465	
W 2000	0620	0001 - 0624	80299	89593	11465	
		0625 - 9999	187006			
	1120	0001 - 9999				
W 200, W 200i	1220, 1420	0001 - 9999	2096852	89593	11465	
W 2100	0921	0001 - 0134	80299	89593	11465	
		0135 - 9999	187006			
W 210, W 210i	1320, 1520	0001 - 9999	2096852	89593	11465	
W 2200	0821	0001 - 9999	122268	50654	1585	Felt seal: 10948 Inner ring: 120158
W 220	0522	0001 - 9999	2096852	89593	11465	
W 250, W 250i	0422, 0622	0001 - 9999	2096852	89593	11465	
WR 2000	03WR	0001 - 9999	172730	89593	11465	
WR 200, WR 200i	06WR, 09WR	0001 - 9999	172730	89593	11465	
WR 2400	05WR	0001 - 9999	189408	89593	178530	10948
WR 240, WR 240i	07WR, 10WR	0001 - 9999	2187320	11177	178530	2274334
WR 2500 S	04WR	0001 - 0123	80299	89593	11465	
		0124 - 9999	187006			
WR 250	08WR	0001 - 9999	2187320	11177	178530	2274334
WS 2200, WS 2500	01AS	0001 - 9999	184927	185233	185233	
WS 220, WS 250	02AS	0001 - 9999	184927	185233	185233	

Recyclers			Return roller			
Machine type	Model	Series range	Bearing shaft	Bearing 1 (inside)	Bearing 2 (outside)	Sealing rings
WR 240, WR 240i	07WR, 10WR	0001 - 9999	2184397	11177	178530	2274334
WR 250	08WR	0001 - 9999	2184397	11177	178530	2274334

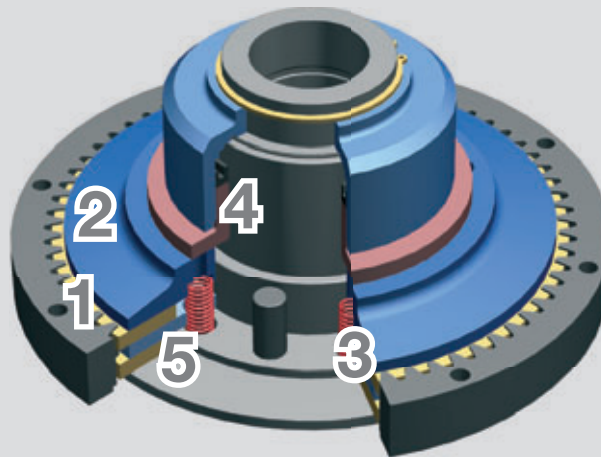


# ORIGINAL WIRTGEN CLUTCHES

The clutches in milling machines must be capable of transmitting their high power output and reliably connecting and disconnecting the power in the milling power train.

Wirtgen clutches are specially designed for use in the respective power train. They are optimised to handle the stresses generated by the dynamic action of the cutting process.

Disks and gear rim should always be replaced together. The pressure springs require changing within the set.



- 1** Precisely fitting manufacturing of the disk teeth that permits easy movement in their guides and thereby allows for low-loss operation.
- 2** The sturdy thrust washer for pretensioning is supported by the gear rim made of precision-cast aluminium for a custom-fit power transmission.
- 3** The compression spring is designed for a high number of load cycles and is free of fatigue while providing a safe power transmission to the bolts and clutch hub.
- 4** The grooved ring is made of heat-resistant material. Pairing of cylinders and pistons also ensures backlash-free mobility.
- 5** Outer disks with optimised coating for powerful friction, inner disks for reliable torque transmission.

Machine type	Model	Series range	Designation	Quantity	Part No.
W 350	0203	0001 - 0449	Clutch complete	1	66626
		0450 - 9999		1	148656
		0001 - 0449	Clutch element	1	74339
		0450 - 9999		1	185025
		0001 - 9999	Toothed ring	1	1556
			Outer disk	1	5568
			Pressure spring	6	22137
			Rotary duct	1	68180
		0001 - 0449	Sealing kit	1	74338
		0450 - 9999		1	185019
W 35, W 35 DC	0503, 0403	0001 - 9999	Clutch complete	1	182230
			Friction disk	1	2061213
			Pressure spring	12	2061223
			Pressure spring	12	2061225
			Rotary duct	1	68180
		0001 - 0449	Sealing kit	1	195516
W 50	0805, 1005	0001 - 0214	Clutch complete	1	184685
		0215 - 9999	Clutch complete	1	2156812
		0001 - 0214	Toothed ring	1	2061230
			Outer disk	2	2061232
			Inner disk	1	2061231
			Pressure spring	8	2061229
		0215 - 9999	Diaphragm with friction lining	1	2216791
			Elastic element	1	2164552
			Connection ring	1	2214499
			Pressure spring	12	2061223
			Pressure spring	12	2061225
		0001 - 9999	Rotary duct	1	68180
		0001 - 0214	Sealing kit	1	195515
		0215 - 9999	Sealing kit	1	2216700
W 50 DC	0905	0001 - 0494	Clutch complete	1	180703
		0495 - 9999	Clutch complete	1	2172643
		0001 - 0494	Toothed ring	1	2061230
			Outer disk	3	2061232
			Inner disk	2	2061231
			Pressure spring	8	2061334
		0495 - 9999	Elastic element	1	2164552
			Connection ring	1	2214499
		0001 - 9999	Rotary duct	1	68180
			Sealing kit	1	195515

# ORIGINAL WIRTGEN CLUTCHES

Machine type	Model	Series range	Designation	Quantity	Part No.
W 50 R, W 60 R, W 50 Ri, W 60 Ri	1405, 1505	0001 - 9999	Clutch complete	1	2287416
			Rotary duct	1	68180
			Elastic element	1	2287410
W 600 DC, W 1000 L, W 1000	0705	0001 - 9999	Clutch complete	1	70196
			Clutch element	1	76650
			Toothed ring	1	1568
			Outer disk	2	13882
			Pressure spring	6	16589
			Rotary duct	1	68180
			Sealing kit	1	76651
W 60, W 60i, W 100, W 100i	0910, 1210	0001 - 9999	Clutch complete	1	2063641
			Toothed ring	1	2061284
			Outer disk	2	13882
			Pressure spring	6	16589
			Rotary duct	1	68180
			Sealing kit	1	185020
W 1000 F, W 1200 F, W 1300 F	0710	0001 - 0149	Clutch complete	1	70196
		0150 - 9999		1	138200
		0001 - 9999	Toothed ring	1	1568
			Outer disk	2	13882
			Pressure spring	6	16589
			Rotary duct	1	68180
		0001 - 0149	Sealing kit	1	76651
		0150 - 9999		1	185020
		W 100 F, W 120 F, W 130 F, W 100 Fi, W 120 Fi, W 130 Fi	0810, 1310	0001 - 9999	Clutch complete
Clutch element	1				2061289
Toothed ring	1				2061284
Outer disk	2				13882
Pressure spring	6				16589
Rotary duct	1				66852
Sealing kit	1				2061297
W 1500	0820				0113 - 9999
		Toothed ring	1	133789	
		Outer disk	2	82243	
		Pressure spring	9	16589	
		0001 - 9999	Rotary duct	1	66852
		0113 - 9999	Sealing kit	1	185024

Machine type	Model	Series range	Designation	Quantity	Part No.
W 150, W 150i	0513, 0613	0001 - 9999	Clutch complete	1	190202
			Clutch element	1	2061289
			Toothed ring	1	2061284
			Outer disk	2	13882
			Pressure spring	6	16589
			Rotary duct	1	66852
			Sealing kit	1	2061297
W 1900	0820, 0920, 1020	0129 - 9999	Clutch complete	1	159245
		0001 - 9999	Clutch element	1	135110
			Toothed ring	1	135109
			Outer disk	3	2068961
			Pressure spring	6	135107
			Rotary duct	1	66852
		0129 - 9999	Sealing kit	1	134277
W 200, W 200i	1220, 1420	0001 - 9999	Clutch complete	1	2096348
			Clutch element	1	2139393
			Toothed ring	1	133789
			Outer disk	2	82243
			Pressure spring	6	16589
			Rotary duct	1	2131394
			Sealing kit	1	2139503
W 200 H, W 200 Hi	1620, 1720	0001 - 9999	Clutch complete	1	156082
			Clutch element	1	2247698
W 2000, W 2100	0620, 1120, 0921	0001 - 9999	Clutch complete	1	113902
			Clutch element	1	156163
			Toothed ring	1	133789
			Outer disk	2	82243
			Pressure spring	9	16589
			Rotary duct	1	66852
			Sealing kit	1	155377
W 210, W 210i (two identical clutches)	1320, 1520	0001 - 9999	Clutch complete	1	2096349
			Clutch element	1	2139394
			Toothed ring	1	1568
			Outer disk	2	13882
			Pressure spring	6	16589
			Rotary duct	1	2131394
			Sealing kit	1	2139501

# ORIGINAL WIRTGEN CLUTCHES

Machine type	Model	Series range	Designation	Quantity	Part No.
W 2200 DC / CR	0821	0001 - 9999	Clutch complete	1	116937
			Clutch element	1	156164
			Toothed ring	1	155368
			Outer disk	2	155369
			Pressure spring	1 set	155370
			Rotary duct	1	66852
			Sealing kit	1	155378
W 2200 SM	0821	0233 - 9999	Clutch complete	1	192509
			Clutch element	1	156328
			Toothed ring	1	156370
			Outer disk	3	156371
			Pressure spring	1 set	156372
		0001 - 9999	Rotary duct	1	66852
			Sealing kit	1	155378
W 220	0522	0001 - 9999	Clutch complete	1	2174377
			Clutch element	1	2216807
			Diaphragms with friction lining	1	2216816
			Pressure spring	40	2216818
			Pressure spring	36	2216819
			Rotary duct	1	2131394
			Sealing kit	1	2216821
W 250, W 250i (two clutches)	0422, 0622	0001 - 9999	Clutch one complete	1	2096348
			Clutch element	1	2139393
			Toothed ring	1	133789
			Outer disk	2	82243
			Pressure spring	6	16589
			Sealing kit	1	2139503
			Clutch two complete	1	2096349
			Clutch element	1	2139394
			Toothed ring	1	1568
			Outer disk	2	13882
			Pressure spring	6	16589
			Sealing kit	1	2139501
			Rotary duct	2	2131394



Machine type	Model	Series range	Designation	Quantity	Part No.
WR 2000, WR 200, WR 200i	03WR, 06WR, 09WR	0001 - 9999	Clutch complete	1	159871
			Clutch element	1	185021
			Toothed ring	1	59946
			Outer disk	3	13882
			Pressure spring	6	53147
			Rotary duct	1	66852
			Sealing kit	1	185022
WR 2400	05WR	0001 - 0043	Clutch complete	1	113902
		0044 - 0176		1	2068894
		0177 - 9999		1	2133716
		0001 - 9999	Clutch element	1	156163
			Toothed ring	1	133789
			Outer disk	2	82243
			Pressure spring	9	16589
			Rotary duct	1	66852
			Sealing kit	1	155377
		WR 240, WR 240i	07WR, 10WR	0001 - 9999	Clutch complete
Clutch element	1				156163
Toothed ring	1				133789
Outer disk	2				82243
Pressure spring	9				16589
Rotary duct	1				66852
Sealing kit	1				155377
WR 2500 S	04WR	0001 - 9999	Clutch complete	1	155280
			Clutch element	1	185026
			Toothed ring	1	182696
			Outer disk	3	82243
			Pressure spring	1 set	65602
			Rotary duct	1	66852
			Sealing kit	1	185023
WR 250	08WR	0001 - 9999	Clutch complete	1	2177239
			Outer disk	3	82243
			Pressure spring	1 set	65602
			Rotary duct	1	66852
			Sealing kit	1	185023

# ORIGINAL WIRTGEN LEVELLING TECHNOLOGY



## The job of levelling

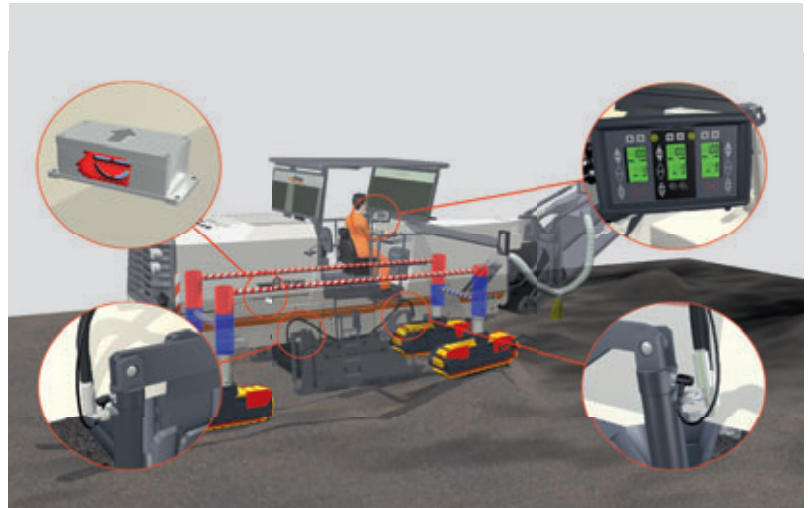
The levelling has the task to precisely regulate the cutting depth or milling slope from a reference automatically and as precisely as possible in order to ensure the removal of a surface covering the exact height. On the one hand, the aim is to level out or copy an existing surface and, on the other hand, to selectively remove individual layers and to create defined surface profiles like transverse slopes, for example.

## Manual grade control via a mechanical milling depth indicator

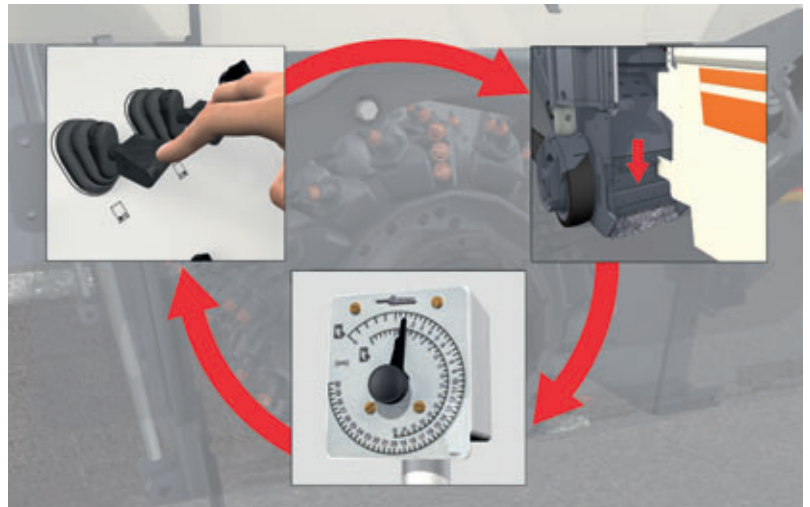
With small milling machines, you set the height manually by lowering the lifting columns of the rear crawler unit. If the milling depth is different from the target value, then the height is adjusted manually by the operator via the rear lifting columns.

## Automated levelling in the control loop

In the process of automated control, the milling depth or is automatically and precisely regulated dependent on a reference. In this connection, the control loop in question is a closed one that makes it possible to use a wide range of different sensors. The sensors detect deviations in the target milling depth, the levelling system calculates it and automatically initiates an appropriate correction of the machine.



1



2



3

1 To provide optimum machine stability, the hydraulically coupled crawler units compensate the differences in height that occur.

2 If the displayed milling depths deviate from the target value, you manually correct the height of the rear crawler units.

3 Displacement sensors in the hydraulic cylinders record the current milling depth, the levelling system then analyses the data to correct the height accordingly.

# ORIGINAL WIRTGEN LEVELLING CONTROLS



DLS1 (until 2007)	LEVEL PRO (from 2007)	LEVEL PRO 2 (from 2010)	LEVEL PRO PLUS (from 2014)
<ul style="list-style-type: none"> <li>The milling depth regulator is a control panel and a control unit in one.</li> <li>1 component that is used directly on the operator's stand and, in addition, as an external handset on each side of the machine to regulate the milling depth on the right and on the left. One regulator is needed per control loop (machine side).</li> <li>Interface for analog or CAN measuring data for the side plate and slope sensors.</li> </ul>	<ul style="list-style-type: none"> <li>Specially developed for Wirtgen milling machines</li> <li>Modular system</li> <li>Simultaneous, automatic milling depth control possible from the operator's stand on both sides of the machine</li> <li>User-friendly control panels for use on the operator's stand or on the sides of the machine</li> <li>User-friendly graphic displays and function keys</li> <li>A permanently installed digital controller for central control of milling depth regulation and sensor evaluation</li> <li>Possible to load analog and CAN sensors at the same time</li> </ul>	<ul style="list-style-type: none"> <li>Further development of LEVEL PRO</li> <li>Specially developed for Wirtgen large milling machines</li> <li>Functions completely integrated into the control system of the machine</li> <li>Integration of four-fold full-floating</li> <li>Integration of the PTS system</li> <li>Introduction of analog cylinder sensors</li> <li>Multiplex preparation in the controller as standard</li> </ul>	<ul style="list-style-type: none"> <li>User-friendly control panel with coloured high resolution display comprising self-explanatory symbols and unambiguous function keys.</li> <li>Compact design for easy handling and improved machine overview</li> <li>Close interaction with the machine's control system enables a high level of automation</li> </ul>

Designation	Part No.	Designation	Part No.
Control Panel LEVEL PRO	2367668	Slope sensor fluid (PWM/CAN)	157449
Control Panel LEVEL PRO PLUS	2380577	Slope sensor digital (CAN)	2207880
Milling depth indicator	178947	Ultrasonic sensor (PWM)	58614
Milling depth regulator DLS1	2075279	Ultrasonic sensor (CAN)	2315361
Milling depth regulator LEVEL PRO	2196463	Sonic-Ski sensor (PWM)	101244
Milling depth regulator LEVEL PRO 2	2245137	Sonic-Ski sensor (CAN)	2195896
Milling depth regulator LEVEL PRO PLUS	2383190	Laser sensor LS3000 (PWM/CAN)	2147807
Transducing sensor digital (PWM)	76309	Laser sensor LS6000 (PWM/CAN)	2174727
Wire-rope exchange set II	112024	Cylinder sensor left: W 200*, W 210*, W 220, W 250*	2103475
Wire-rope exchange set III	165399	Cylinder sensor right: W 200*, W 210*, W 220, W 250*	2105212
Wire-rope exchange set IV	2200901	Cylinder sensor left: W 50R, W 60R	2297811
Wire-rope sensor IV (PWM)	2137341	Cylinder sensor right: W 50R, W 60R	2297811
Wire-rope sensor (analogue 0 - 10 volts)	181915	External Multiplex box 3-way	2102694
Wire-rope sensor (analogue 4 - 20 mA)	2221927	Connection box (3D alarm box LEVEL PRO)	2172896

\* also for the "i" series listed

# ORIGINAL WIRTGEN SENSORS AND SCANNING COMPONENTS

## Hydraulic cylinder sensor

With the latest large milling machines, the cable and ultrasonic sensors that have been used up to now are omitted, since both lifting cylinders on the edge protector contain displacement sensors.

These sensors work on a non-contact basis and are protected mechanically by the hydraulic cylinder housing. This robust measuring process reliably copies the surface.

## Ultrasonic sensor

The ultrasonic sensor that works on a non-contact basis can sample both the height of the edge protector and the reference surface next to and in front of the milling drum.

It transmits sound waves at high frequency that the reference surface reflects and the sensor collects again. The time between transmitting and receiving the signal is the measure of the distance to the surface.

With this measuring procedure, you must take into account the dependence of the sound speed on the ambient temperature.

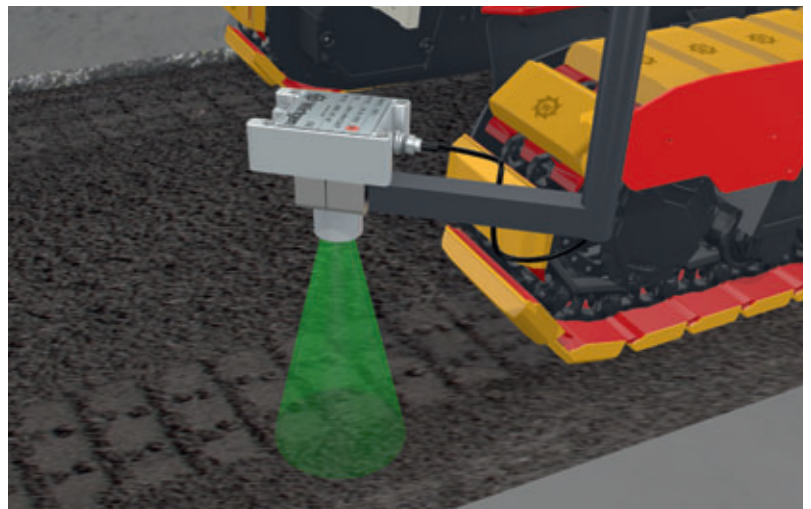
## Slope sensor

The slope sensor that is fixed to the machine is used to generate surfaces for which you cannot use relative references.

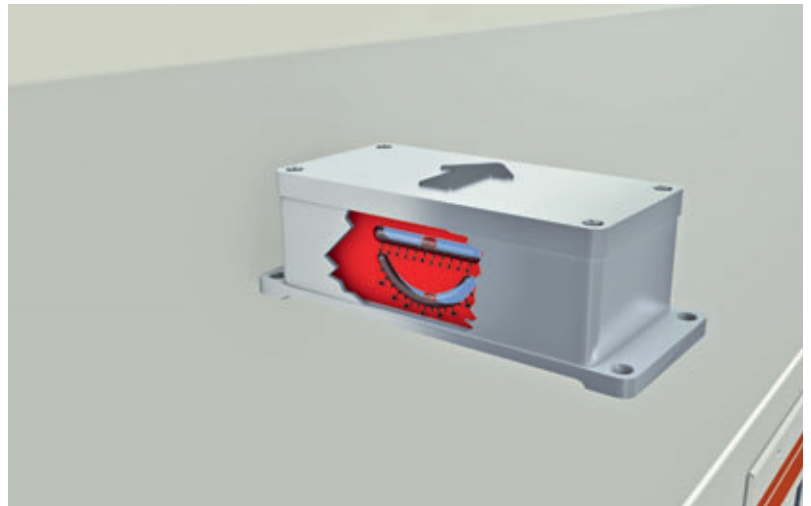
The slope sensor works with an absolute wear-free measuring procedure. This makes it possible to generate surfaces in all the predefined transverse slopes.



1



2



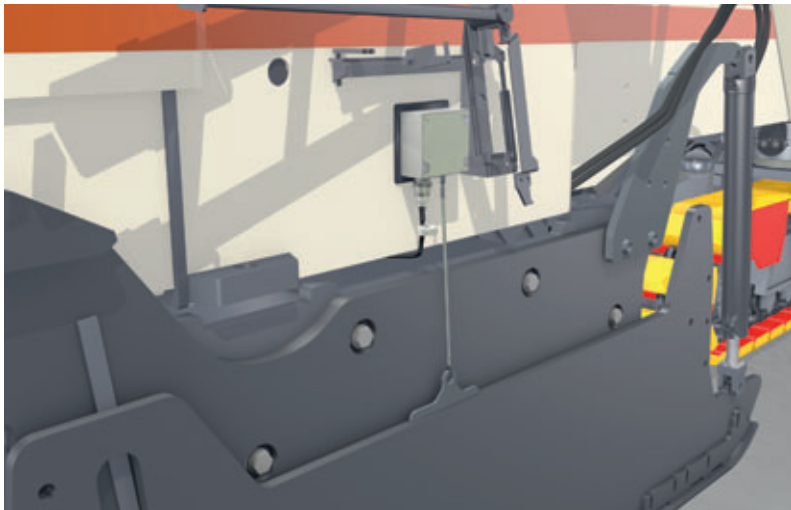
3

1 Two hydraulic cylinders with displacement sensors measure the milling depth on both edge protector shields on a non-contact basis.

2 Ultrasonic sensors that work on a non-contact basis can sample either the height of the edge protector or a reference surface.

3 Using the electronic slope sensor allows you to easily mill specified inclinations.





### Wire-rope sensor

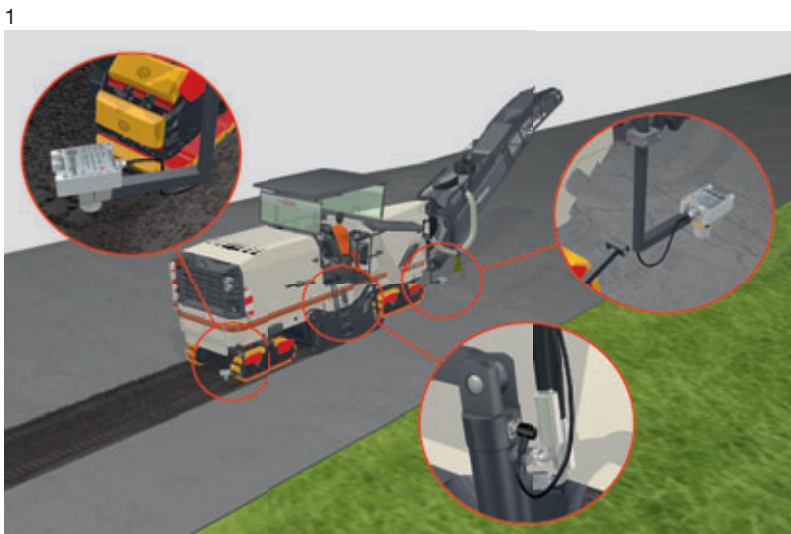
The wire-rope sensor is a height sensor that is hooked onto the edge protector. While the edge protector mechanically scans the reference surface, the sensor determines possible irregularities or differences in height. This direct measurement copies the surface. Wire-rope sensors are robust and guarantee reliable scanning even in difficult weather conditions.

### Multiplex systems

Multiplex systems are used to measure extended, elongated irregularities and combine several sensors on one of the two machine sides (e.g. wire-rope, ultrasonic, or cylinder sensors).

The system calculates the current milling depth very precisely from the average value of the connected sensors; this makes it possible to compensate longitudinal waves very well.

The system is particularly suitable for use in the case of fine milling work.



1 Robust wire-rope sensors that are attached to the edge protector are used for mechanical scanning of the surface.

2 With extended uneven road surfaces, it is possible to calculate the milling depth in a very precise way by averaging several connected sensors.

2





# ORIGINAL WIRTGEN SENSORS AND SCANNING COMPONENTS



Close to  
our customers

## Sonic Ski sensor

The Sonic Ski contains five ultrasonic sensors that you can use both to carry out non-contact scanning of a wire (sensor aligned at right angle to the stringline) and to scan a surface (sensor aligned in the direction of travel or parallel to the edge protector).

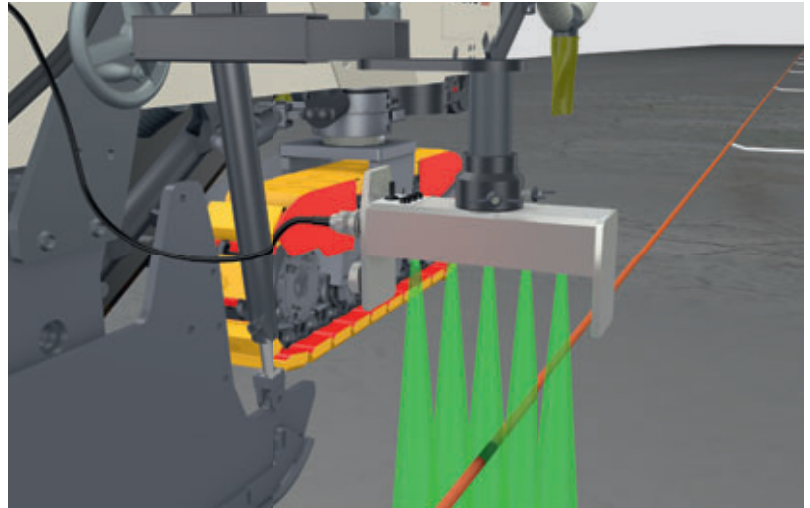
When scanning a surface, the system generates the measured value by averaging the individual ultrasonic measurements; irregularities in the surface to be milled can be quickly levelled.

## Laser sensor

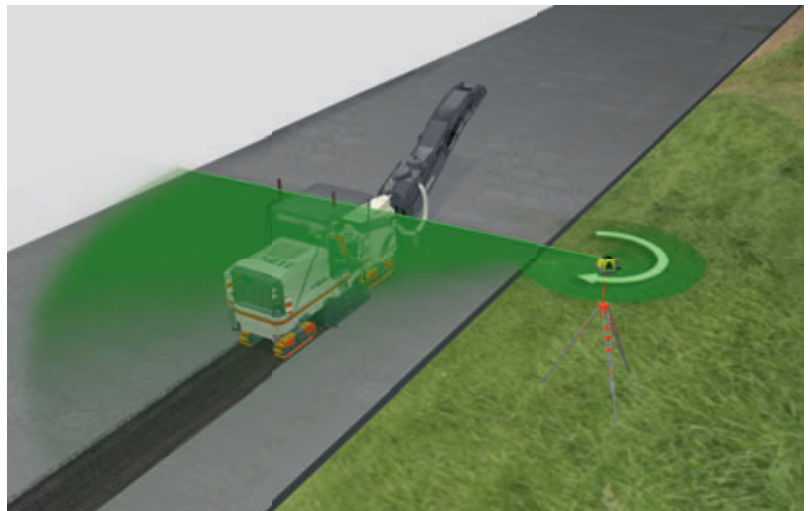
Laser sensors on the machine receive the signals of a rotating laser beam that spreads an even reference surface in the space by rotating. The wear-free, ultra-precise height measurement is suitable in particular for work on tunnels, airports, and sports and indoor facilities.

## 3D sensor

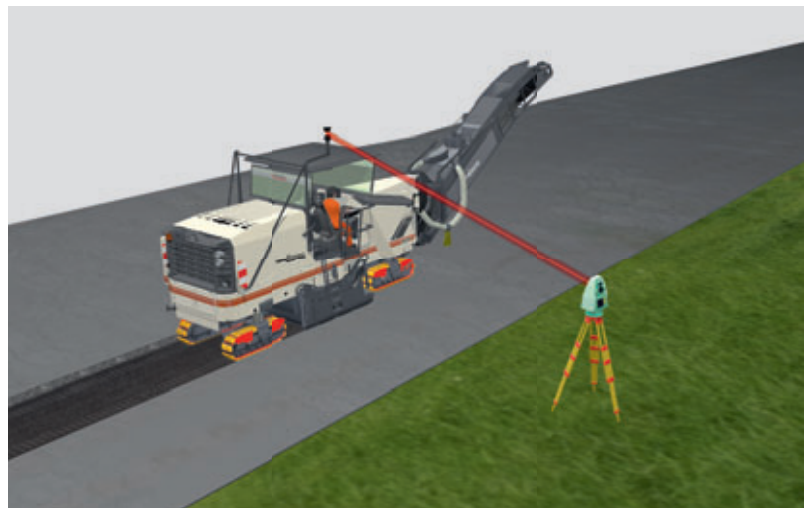
The current machine position is collected via a total station or GPS systems. This data is matched with a previously generated digital model of the terrain of the planned milling area. During the milling process, the system carries out continuous matching between the machine's target position and its actual one by means of the 3D computer. The LEVEL PRO system regulates the corresponding irregularities.



1



2



3

1 The Sonic Ski's measured value is generated by averaging five individual ultrasonic measurements.

2 Laser sensors work relative to the flat surface of the laser transmitter.

3 Focusing a cold milling machine using a total station and a prism mounted on the machine to accurately detect the actual machine position and depth of cut.

# ORIGINAL WIRTGEN RECOMMENDATIONS FOR APPLICATION



Possible applications	Edge protector sensors (wire-rope or hydraulic cylinder sensors)	Multiplex systems	Scanning in front of the milling drum	Slope sensor	Ultrasonic sensor	Sonic Ski sensor	Laser sensor	3D sensor
Removing a surface	● ● ●	●	● ●	●	●	●	○	○
Removing surface and binder courses	● ● ●	●	● ●	●	●	●	○	○
Complete removal of carriageways	● ● ●	●	● ●	●	●	●	○	○
Corrective milling work placing major demands on the evenness of the surface	● ●	● ● ●	●	●	●	●	○	○
Removing asphalt with a specified inclination	● ●	●	●	● ● ●	●	●	○	○
Concrete milling	● ● ●	●	● ●	●	●	●	○	○
Removing surfaces stipulated by stringline	●	●	●	● ●	●	● ● ●	○	○
Making exactly even surfaces (renovation of the floors of indoor facilities, tunnelling, etc.)	●	●	●	●	●	●	● ● ●	○
Establishing new surface contours according to digital models of the terrain	● ●	○	○	●	○	○	○	● ● ●

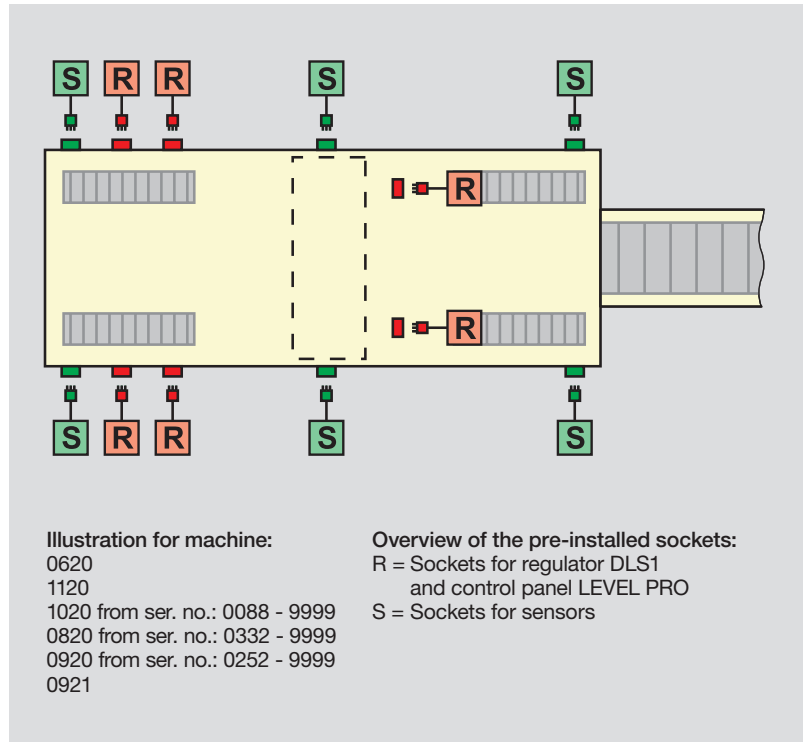
● ● ● Main sensor
● ● Recommended second sensor
● Alternative second sensor
○ Not suitable

For the applications listed above, at least the main sensor should always be used. Each of the main sensors shown can also be used on both height controllers or be combined with the recommended secondary sensors in each case. For examples of deployment, please refer to the Cold Milling Manual.

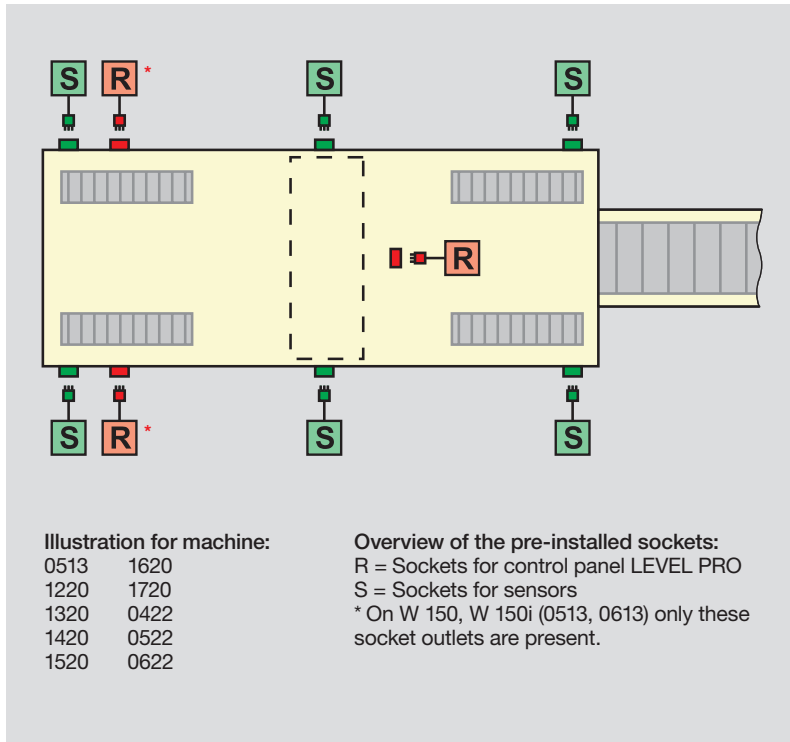
# ORIGINAL WIRTGEN CABLES FOR LEVELLING COMPONENTS

Power and sensor cables are available in various lengths so that the control panel, DLS1 regulators and sensors can be mounted on the machine in a variety of positions, thus significantly increasing flexibility in everyday work. Their spiral design makes them compact and yet sufficiently long – without causing interference.

The power cables connect the control panels and DLS1 regulators with the machine. They ensure a secure supply of power and reliably transmit control data for the CAN bus via the installed wiring.



Description	For socket outlet	Length spiral/stretched (mm)	Part No.
Power cable for control panel LEVEL PRO (10-/7-polar)	R	1000 / 3000	192539
Power cable, plug one-sided angular (10-polar, grey, with CAN)	R	500 / 1750	117833
Power cable (10-polar, yellow, without CAN)	R	- / 1500	102136
Sensor cable (7-polar)	S	- / 700	98676
Sensor cable (7-polar)	S	900 / 3100	74459
Sensor cable (7-polar)	S	- / 1500	102137
Sensor cable (7-polar)	S	1700 / 6000	58615
Adapter box for sensor cable (for extension)	S	-	2116372
Extension cable for sensors (7-polar)	S	- / 1600	2102128
Sensor cable, plug and bush single sided angular (7-polar)	S	900 / 3100	117835



The sensor cables connect the individual sensors to the milling depth regulators and transmit the measurement data. The cables and plugs are of highly durable design in order to ensure reliable function despite the rough conditions of constant use on a construction site.

Description	For socket outlet	Length spiral/stretched (mm)	Part No.
Power cable for control panel LEVEL PRO (7-polar)	R	1000 / 3000	2096045
Sensor cable (7-polar)	S	- / 700	98676
Sensor cable (7-polar)	S	900 / 3100	74459
Sensor cable (7-polar)	S	- / 1500	102137
Sensor cable (7-polar)	S	1700 / 6000	58615
Adapter box for sensor cable (for extension)	S	-	2116372
Extension cable for sensors (7-polar)	S	- / 1600	2102128
Sensor cable, plug and bush single sided angular (7-polar)	S	900 / 3100	117835
Sensor cable (CAN, 7-polar)	R	1700 / 7000	2350737



# ORIGINAL WIRTGEN RETROFIT KITS FOR HEIGHT REGULATION



Close to  
our customers

Machine type	Model	Ultrasonic sensor	Sonic Ski	Wire-rope sensor/cylinder sensor		
				Scanning on the side plate	Ground scanning in front of the drum	
					one side	both sides
W 350	0203					
W 35	0503			On req.		
W 35 DC	0403			On req.		
W 500	0605	On req.	On req.	80940		
W 50	1005	On req.	On req.	176424		
W 50 DC	0905	On req.	On req.	176424		
W 50 R, W 60 R, W 50 Ri, W 60 Ri	1405, 1505	On req.	On req.	2288352		
W 600 DC, W 1000 L	0705	On req.	On req.	102004		
W 60, W 100, W 60i, W 100i	0910, 1210	On req.	On req.	2053793		
W 1000 F, W 1200 F, W 1300 F	0710	On req.	On req.	90017		
W 100 F, W 120 F, W 130 F, W 100 Fi, W 120 Fi, W130 Fi	0810, 1310	On req.	On req.	190859		
W 150, W 150i	0513, 0613	On req.	On req.	2070573	2094139	
W 1500, W 1900	0820, 0920, 1020	143459	143462	143344	187202	
W 2000	0620, 1120	143459	143462	119692	150177	
W 200, W 200i	1220, 1420	On req.	2175939	Standard	2112702	2112703
W 2100	0921	143459	143462	119692	150177	
W 210, W 210i	1320, 1520	On req.	2175939	Standard	2112702	2112703
W 2200	0821	143459	143462	124722	150177	
W 220	0522	On req.	2175939	Standard	2125960	2125961
W 200 H, W 200 Hi	1620, 1720	On req.	On req.	Standard	2286567 (Ultrasonic sensor) 2303478 (Sonic ski)	2283608 (Ultrasonic sensor) 2301143 (Sonic ski)
W 250, W 250i	0422, 0622	On req.	2175939	Standard	2125960	2125961

Increasing precision →

Recommendable

Conditionally recommendable

On req. = On request



# ORIGINAL WIRTGEN RETROFIT KITS FOR HEIGHT AND SLOPE REGULATION



Machine type	Model	Series range	Multiplex 3-way		Slope sensor
			one side	both sides	
W 350	0203	0001 - 9999			
W 35	0503	0001 - 9999			On req.
W 35 DC	0403	0001 - 9999			On req.
W 500	0605	0001 - 9999			On req.
W 50	1005	0001 - 9999			176425
W 50 DC	0905	0001 - 9999			176425
W 50 R, W 60 R, W 50 Ri, W 60 Ri	1405, 1505	0001 - 9999			2288392
W 600 DC, W 1000 L	0705	0001 - 9999			102006
W 60, W 100, W 60i, W 100i	0910, 1210	0001 - 9999			2053826
W 1000 F, W 1200 F, W 1300 F	0710	0001 - 9999	On req.	On req.	98213
W 100 F, W 120 F, W 130 F, W 100 Fi, W 120 Fi, W 130 Fi	0810, 1310	0001 - 9999	On req.	On req.	190858
W 1500, W 1900	0820	0001 - 0244	119770	On req.	150841
		0245 - 9999	178494	195482	150841
W 150, W 150i	0513, 0613	0001 - 9999	2124541	2124543	2090856
W 1900	0920, 1020	0001 - 0209	119770	On req.	150841
		0210 - 9999	2095592	195482	150841
W 2000	0620, 1120	0001 - 0604	119770	On req.	On req.
		0605 - 9999	2095592	195482	
W 200, W 200i	1220, 1420	0001 - 9999	2130277	2130364	2105693
W 200 H, W 200 Hi	1620, 1720	0001 - 9999	2130277	2130364	2105693
W 2100	0921	0001 - 0129	119770	On req.	On req.
		0130 - 9999	2095592	195482	
W 210, W 210i	1320, 1520	0001 - 9999	2130277	2130364	2105693
W 2200	0821	0001 - 0199	119770	On req.	On req.
		0200 - 9999	2095592	195482	
W 220	0522	0001 - 9999	2130377	2130364	2105693
W 250, W 250i	0422, 0622	0001 - 9999	2130377	2130364	2105693
WR 2000	03WR				173133
WR 2400	05WR				173133
WR 2500 S	04WR				154765

Recommendable

Conditionally recommendable

On req. = On request

# ORIGINAL WIRTGEN LEVEL PRO RETROFIT KITS



To be able to retrofit older series with the innovative levelling system LEVEL PRO, Wirtgen offers retrofit kits with which the conversion to the new system can be made quickly and straightforwardly.

Wirtgen offers the following retrofit kits:

- Retrofit kit, internal
- Retrofit kit, external
- Retrofit kit, control panel

Please note the following information and the footnotes in the table of order data overleaf so that your retrofit kit can be installed without difficulty.

## **LEVEL PRO retrofit kit, internal**

The internal retrofit kit supplies the full scope of LEVEL PRO functions for selected machine models (see table of order data). With this kit, the controller is installed directly inside the existing control cabinet.

The internal retrofit kit comprises the following parts:

- 1 control panel (incl. holder and cover)
- 1 controller
- 1 connecting cable
- Installation instructions and material

## **LEVEL PRO retrofit kit, external**

The external retrofit kit contains the complete scope of LEVEL PRO functions, with few exceptions (see table of order data). The controller is installed externally under the storage box with a terminal box supplied with the kit (see photo above).\*

The external retrofit kit comprises the following parts:

- 1 control panel (incl. holder and cover)
- 1 controller
- 1 terminal box for the controller
- 1 connecting cable
- Installation instructions and material

## **Retrofit kit, control panel**

Only the LEVEL PRO functions which are not dependent on the controller can be used when retrofitting an additional control panel with continued use of the DLS controller. The full functional scope is available if the machine is already equipped with a LEVEL PRO controller.

The control panel retrofit kit comprises the following parts:

- 1 control panel (incl. holder and cover)
- 1 connecting cable

\* on W 2000, W 2100, W 2200

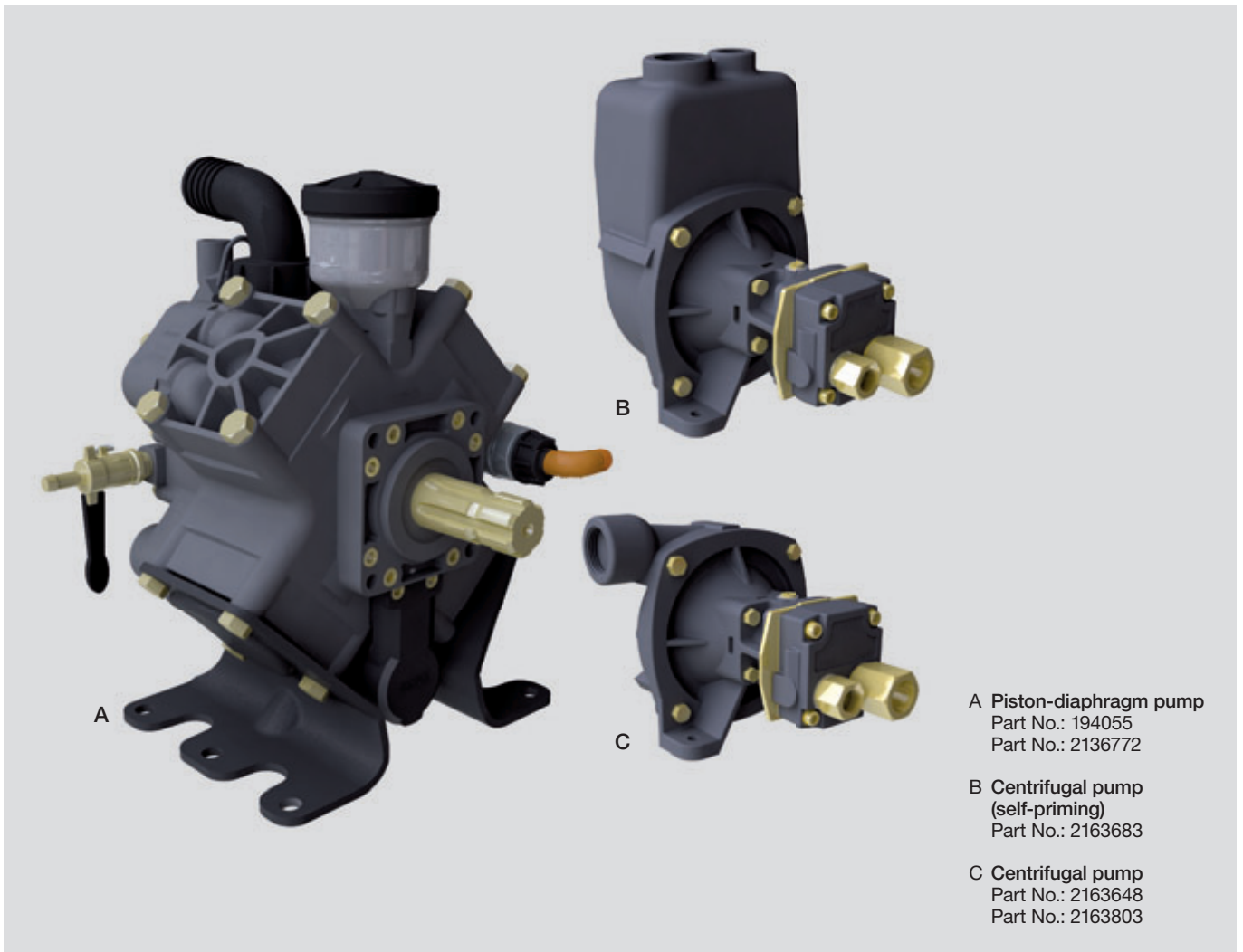
Machine type	Model	Series range	Retrofit kit control panel	Retrofit kit LEVEL PRO external/internal	Part No.
W 1000 F, W 1200 F, W 1300 F	0710	0001 - 0814		Retrofit kit external *,**	on request
		0815 - 9999		Retrofit kit external **	
W 1500, W 1900	0820	0001 - 0211	2093512	Retrofit kit external *,**	2093518
		0212 - 0331		Retrofit kit external **	2093518
		0332 - 0456		Retrofit kit external	2093518
		0457 - 0524		Retrofit kit internal	2093509
W 2000	0620	0001 - 0128	2093512	Retrofit kit external *	2106267
		0129 - 0519		Retrofit kit external *,**	2093514
		0520 - 0865		Retrofit kit external **	2093514
		0866 - 1072		Retrofit kit external	2093514
		1073 - 1134		Retrofit kit internal	2093509
W 2100	0921	0001 - 0106	2093512	Retrofit kit external *,**	2093514
		0107 - 0259		Retrofit kit external **	2093514
		0260 - 0274		Retrofit kit internal	2093509
W 2200	0821	0001 - 0159	2093512	Retrofit kit external *,**	2093514
		0160 - 0199		Retrofit kit external **	2093514
		0200 - 0362		Retrofit kit external	2093514
		0363 - 0399		Retrofit kit internal	2093509

\*Slope sensor, liquid 157449 may have to be retrofitted · \*\*Kit for CAN slope sensor 2094293 required additionally  
There may be functional limitations on the machine, in case of questions contact your local Wirtgen representative.

# ORIGINAL WIRTGEN WATER PUMPS

The water installation is a complete system which consists of pump, filter, supply lines and nozzles. Wirtgen adjusts the sprinkling to the requirements the best way.

On the conveyor belts, the water system effectively binds the dust. In the drum housing the sprayed-in water improves the rotation behaviour of the picks during the milling process. An optimal set water system therefore minimises the wear and improves productivity.



Machine type	Model	Series range	Water pump	Part No.	Sealing and repair kits	Part No.
W 350, W 35, W 35 DC	0203, 0503, 0403	0001 - 9999	with electric drive	2096380	Sealing kit for pump	48445
W 500	0605	0005 - 0281	with electric drive	43912	Sealing kit for pump	48445
		0282 - 9999	with electric drive	2096380		
W 50	0805, 1005	0001 - 9999	with electric drive	2096380	Sealing kit for pump	48445
W 50 DC, W 50 DCi	0905, 1205	0001 - 9999	with electric drive	2073216	Sealing kit for pump	15617
W 50 R, W 60 R, W 50 Ri, W 60 Ri	1405, 1505	0001 - 9999	with electric drive	2292394		
W 600 DC, W 1000 L	0705	0001 - 0034	with electric drive	2073216	Sealing kit for pump	15617
		0035 - 0515	with electric drive	112984		
		0516 - 9999	with electric drive	2073216		
W 60, W 100, W 60i, W 100i	0910, 1210	0001 - 9999	with electric drive	2073216	Sealing kit for pump	15617
W 1000 F, W 1200 F, W 1300 F	0710	0001 - 9999	with hydraulic drive	2163803	Sealing kit for pump	109757
					Repair kit for motor	2163687
W 100 F, W 120 F, W 130 F, W 100 Fi, W 120 Fi, W 130 Fi	0810, 1310	0001 - 9999	with hydraulic drive	2163683	Sealing kit for pump	109757
W 1500, W 1900	0820, 0920, 1020	0026 - 9999	with hydraulic drive	2163684	Sealing kit for pump	109757
					Repair kit for motor	2163687
W 150, W 150i	0513, 0613	0001 - 9999	with hydraulic drive	2163683	Sealing kit for pump	109757
W 2000	0620, 1120	0001 - 0210	with hydraulic drive	2163803	Repair kit for pump	2163687
		0211 - 0774	with hydraulic drive	142023	Repair kit for pump	153824
					Coupling pump / motor	178413
0775 - 9999	with hydraulic drive	194055				
W 2100	0921	0001 - 0219	with hydraulic drive	142023	Sealing kit for pump	153824
		0220 - 9999		194055	Coupling pump / motor	178413



# ORIGINAL WIRTGEN WATER PUMPS

Machine type	Model	Series range	Water pump	Part No.	Sealing and repair kits	Part No.
W 200, W 200i, W 210, W 210i	1220, 1320, 1420, 1520	0001 - 9999	with hydraulic drive	2136772	Diaphragm for water pump	2052244
					Valve for water pump	200089
					Safety valve for water pump	2095833
					Repair kit for motor	2048816
W 200 H, W 200 Hi	1620, 1720	0001 - 9999	with hydraulic drive	2136772	Diaphragm for water pump	2052244
					Valve for water pump	200089
					Safety valve for water pump	2095833
					Repair kit for motor	2048816
W 220	0522	0001 - 9999	with hydraulic drive	2136772	Diaphragm for water pump	2052244
					Valve for water pump	200089
					Safety valve for water pump	2095833
					Repair kit for motor	2048816
W 2200	0821	0001 - 0059	with hydraulic drive	2163684	Repair kit for motor	2163687
		0060 - 0277	with hydraulic drive	142023	Repair kit for pump	153824
					Coupling pump / motor	178413
		0278 - 9999	with hydraulic drive	194055		
W 250, W 250i	0422, 0622	0001 - 9999	with hydraulic drive	2136772	Sealing kit for pump	2052244
					Sealing kit for hydraulic motor	200089
					Sealing kit for pump	2095833
					Repair kit for motor	2163687



# ORIGINAL WIRTGEN SPRINKLER NOZZLES

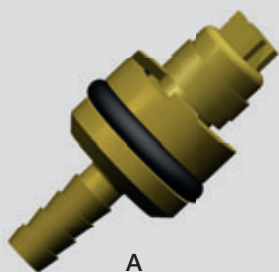
At different points of the road milling machine water spray systems ensure that dust and dirt are bound. This minimises the wear on moving parts.

One or two water spray bars in the milling drum housing ensure the effective cooling of the picks. The spray mist also cleans the cutting tools and improves the rotation behaviour.

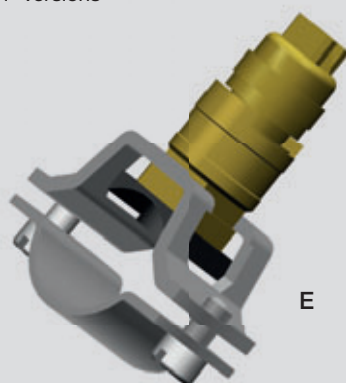


Nozzles made of brass for machines:  
W 50 R, W 60 R, W 200, W 210, W 220, W 250 and their "i" versions

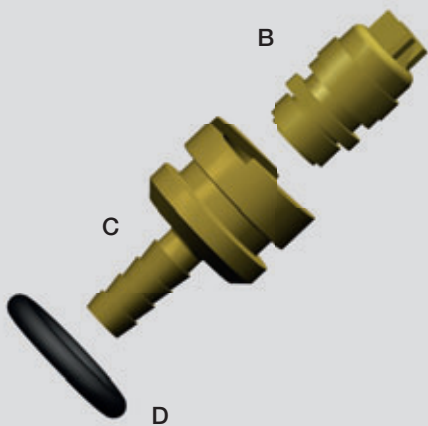
- A Sprinkler unit for the conveyor system  
Part No.: 2116481
- B Nozzle  
Part No.: 2153028
- C Nozzle holder  
Part No.: 2111193
- D O-ring for the fixation  
Part No.: 2141926
- E Sprinkler unit for spray bars  
Part No.: 2116482
- F Nozzle  
Part No.: 2153028
- G Nozzle holder  
Part No.: 2153032
- H Sealing  
Part No.: 2153033
- I Clamping piece (incl. fastening material)  
Part No.: 2153035



A



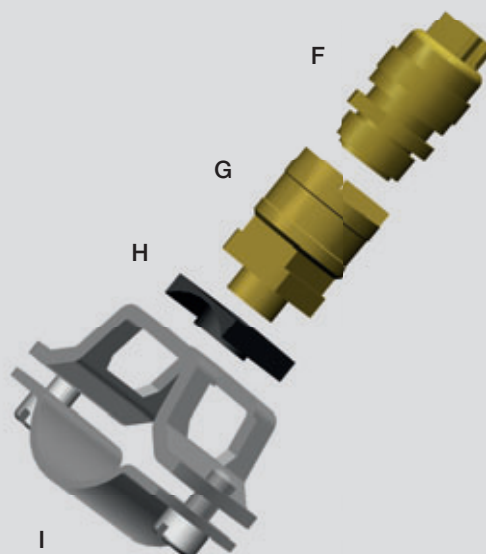
E



B

C

D



F

G

H

I

Machine type	Model	Series range	Sprinkler system drum housing		Sprinkler system conveyor	
			Nozzle unit		Nozzle unit	
			Quantity	Part No.	Quantity	Part No.
W 50 R, W 50 Ri	1405, 1505	0001 - 9999	4	2116482		
W 60 R, W 60 Ri	1405, 1505	0001 - 9999	4	2116482		
			1	2153028		
			1	2141926		
			1	2334153		
W 200, W 210, W 200i, W 210i (FB 1500)	1220, 1320, 1420, 1520	0001 - 9999	24	2116482	4	2116481
W 200, W 210, W 200i, W 210i (FB 2000)	1220, 1320, 1420, 1520	0001 - 9999	34	2116482	4	2116481
W 200, W 210, W 200i, W 210i (FB 2200)	1220, 1320, 1420, 1520	0001 - 9999	36	2116482	4	2116481
W 200 H, W 200 Hi	1620, 1720	0001 - 9999	36	2116482	4	2116481
W 220	0522	0001 - 9999	36	2116482	4	2116481
W 250 (FB 2200), W 250i (FB 2200)	0422	0001 - 9999	36	2116482	4	2116481

Machine type	Model	Series range	Sprinkler system drum housing						Sprinkler system conveyor	
			Nozzle unit		Single nozzles		Valve for nozzle unit		Nozzle unit	
			Qty.	Part No.	Qty.	Part No.	Qty.	Part No.	Qty.	Part No.
W 350	0203	0001 - 9999	2	72621	2	15827	2	74328		
W 35, W 35 DC	0503, 0403	0001 - 9999	3	71765	3	15827	3	74328		
W 500	0605	0005 - 9999	4	8667	4	15827				
W 50, W 50 DC	0805, 0905	0001 - 9999	4	71765	4	15827				
W 50, W 50 DCi	1005, 1205	0001 - 9999	4	71765	4	15827	4	74328		
W 600 DC	0705	0001 - 9999	6	71765	6	15827	6	74328		
W 60	0910	0001 - 9999	6	71765	6	15827	6	74328		
W 1000 L	0705	0001 - 0003	8	71765	8	15827	8	74328		
		0004 - 9999	8	112127						

# ORIGINAL WIRTGEN SPRINKLER NOZZLES

Machine type	Model	Series range	Sprinkler system drum housing						Sprinkler system conveyor	
			Nozzle unit		Single nozzles		Valve for nozzle unit		Nozzle unit	
			Qty.	Part No.	Qty.	Part No.	Qty.	Part No.	Qty.	Part No.
W 100	0910	0001 - 9999	9	71765	9	15827	9	74328		
W 1000 F, W 100 F, W 100 Fi	0710, 0810, 1310	0001 - 9999	10	71765	10	15827	10	74328		
W 1200 F, W 1300 F, W 120 F, W 130 F, W 120 Fi, W 130 Fi	0610, 0710, 0810, 1310	0001 - 9999	12	71765	12	15827	12	74328		
W 1500	0820	0001 - 9999	12	71765	12	15827	12	74328	8	7537
W 150, W 150i	0513, 0613	0001 - 9999	28	71765	28	15827	28	74328	2	15827
W 1900	0820, 0920, 1020	0001 - 9999	16	71765	16	15827	16	74328	8	7537
W 2000	0620, 1120	0001 - 0111	16	71765	16	15827	16	74328	8	7537
		0112 - 0210	16	71765	20	15827	20	74328		
		0211 - 9999	18	112127	22	111743	22	74328		
W 2100 (FB 2000)	0921	0001 - 9999	16	112127	16	111743	16	74328	8	111743
W 2100 (FB 2100)	0921	0001 - 9999	17	112127	17	111743	17	74328	8	111743
W 2200	0821	0001 - 0344	18	112127	18	111743	18	74328	8	111743
		0345 - 9999	18	2073669						



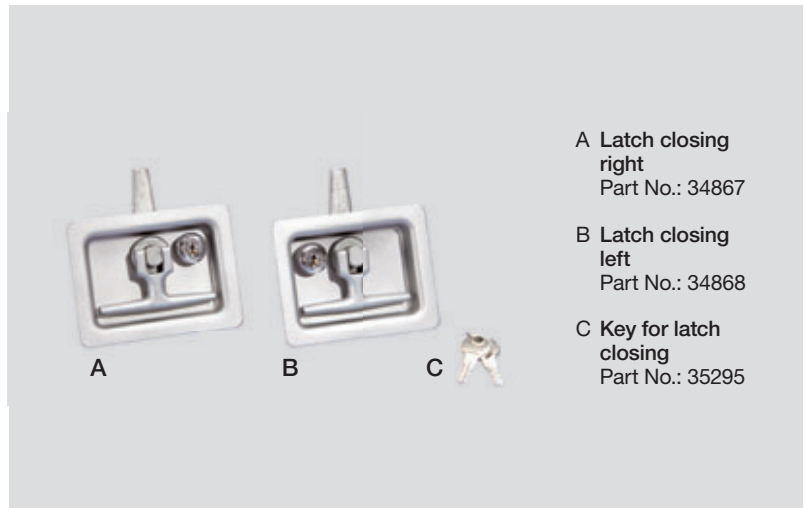


# ORIGINAL WIRTGEN CAB AND CHASSIS COMPONENTS

## Latch closings

Doors, flaps, lids: every machine has numerous covers which must remain durably and reliably closed even when exposed to vibrations.

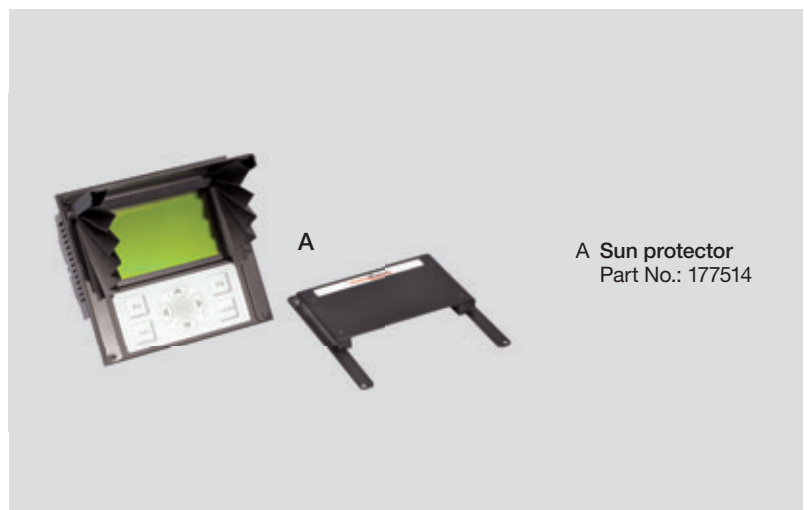
The latch closings used for this purpose in Wirtgen machines can be universally used in all locks and are available as right-hand and left-hand versions.



## Sun protector

The display on the operator's stand provides the machine operator with comprehensive information for assessing the milling process. This information is difficult to read in intense sunlight.

To improve legibility in such cases, a sun protector can easily be retrofitted or replaced without difficulty if damaged. It can be used on all machines with CGC display.







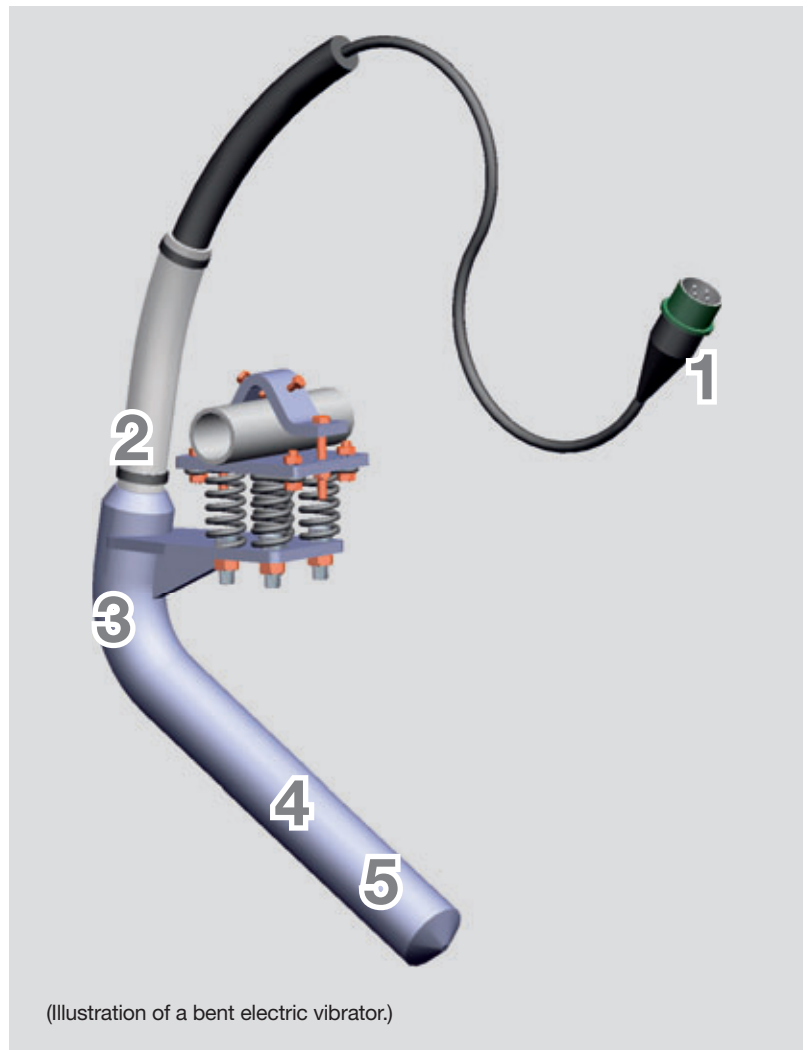
# ORIGINAL WIRTGEN VIBRATORS

Wirtgen Slipform Pavers cover a variety of applications for high-quality offset slipform and roadway paving, all of which centre on the compaction of concrete.

Wirtgen uses electric or hydraulic vibrators for compaction. They are adapted in their individual types and designs to the different applications and optimised with respect to form and function. The outstanding features are the highest compression performance with maximum reliability and robustness.



- 1** The **shock-resistant plug** remains unbreakable even at extremely low temperatures, thus ensuring a reliable power supply in an electric vibrator.
- 2** The **modified geometry** of the interior vibrator prevents abrasion of the protective tube at its own suspension, its smooth surface prevents concrete from sticking.
- 3** **Connections are fully sealed** to protect against mechanical damage and provide enhanced insulation security and better heat deflection.
- 4** The **high-quality AC induction motors** have a high efficiency. The enlarged unbalance provides a larger effective diameter and a higher compression performance.
- 5** The **special roller bearings** ensure long life, which enables the economic use.







### Offset applications

For offset paving, which usually involves the paving of a profile, the mould is located alongside of the actual machine.

During offset paving, the vibrators are positioned directly in the moulds and arranged such that the concrete is evenly distributed and compacted even in small or complex moulds. Straight vibrators are generally used in the offset process. The number and arrangement of the vibrators depends on the shape of the profile and the volume of concrete placed.



### Road pavement

When it comes to road pavement, curved vibrators are usually used, which are submerged in the concrete in front of the slipform. The vibrators are distributed across the paving width in such a way that optimum compaction is achieved.

On a two-layer paving the T-vibrators are used for the compaction of the second layer. For other applications, e.g. profiled surfaces, the various vibrators can be flexibly combined to ensure the best possible results for concrete paving.

#### Vibrator electric

Application	Designation	Part No.
Offset application	Vibrator D66 straight	180705
	Vibrator D66 bent	145963
Road pavement 1. layer	Vibrator D66 bent	145963
	Vibrator D76 bent	145961
Road pavement 2. layer	Vibrator D76 horizontal (T-Vibrator) with 4.0 kN	180706
	Vibrator D76 horizontal (T-Vibrator) with 5.6 kN	2076215
	Vibrator D76 horizontal (T-Vibrator) with 7.2 kN	2063738

#### Vibrator hydraulic

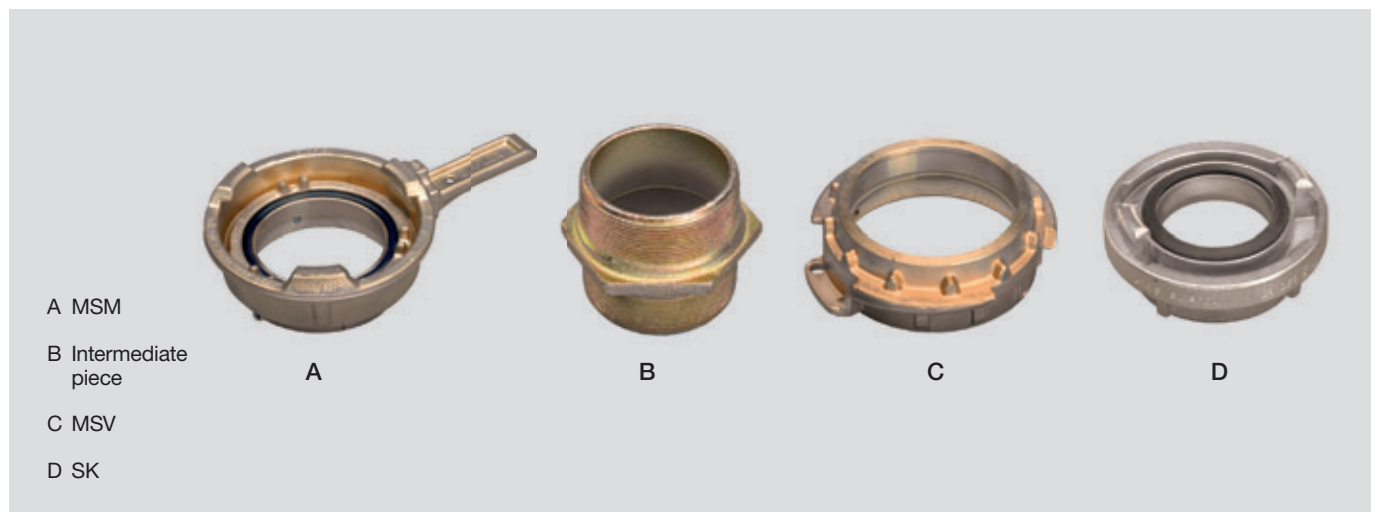
Application	Designation	Part No.
Offset application	Vibrator D66 straight	75721
	Vibrator D66 bent	75722
Road pavement	Vibrator D66 bent	75722



# ORIGINAL WIRTGEN CONNECTING ELEMENTS FOR COLD RECYCLERS

The original Wirtgen connecting elements are compatible with all Wirtgen recyclers, and therefore guarantee easy and quick installation. This produces the maximum operating safety, since all components carrying fluid bonding agents must be able to withstand high throughflow quantities and also great thermal stresses, particularly in the case of hot bitumen.

With the aid of the adapter kits, this always offers the opportunity of finding an adequate connection even in the case of different couplings and special options respectively.



Intermediate pieces		
Size (inches)	Part No.	Remark
2 on 3	2138702	with external thread
3 on 3	27844	with external thread
3 on 4	2138699	with external thread
4 on 4	93819	with external thread

Couplings for self-assembly				
Couplings	2" Part No.	3" Part No.	4" Part No.	Remark
MSV	51529	51530	93679	with internal thread
MSM	84214	51531	93680	with internal thread
SK	13001	13004	84382	with internal thread

A safe and reliable workflow with simultaneous machine availability and safety at work is an essential prerequisite when working with binders, such as hot bitumen. We use specially designed couplings (MSV, MSM and SK). These couplings are manufactured in varying diameters and can therefore be matched to the capacity of our Wirtgen machines as required by the customer. The focus will always be the safety and smooth project execution.

In some applications, intermediate pieces such as reducers or adapters must be fitted due to the design of the tank truck to ensure safety and to ensure the project runs smoothly with the available equipment. Based on our experience, adapter and connector kits are available to ensure continuous availability and the highest flexibility on the construction site. These kits consist of individual items due to the large number of variants and provide the opportunity for self-assembly.

Basic adapter kit*		Part No.: 2143002	
Designation	Ø (inch)	Quantity	
MSV	4	1x	
MSV	3	1x	
SK	3	1x	
SK	4	1x	
MSM	3	1x	
MSM	4	1x	
Intermediate piece	3 on 3	1x	
Intermediate piece	3 on 4	1x	
Intermediate piece	4 on 4	1x	

Basic connector kit between bonding agent hoses*		Part No.: 2143005	
Designation	Ø (inch)	Quantity	
MSV	3	2x	
MSV	4	2x	
Intermediate piece	3 on 3	1x	
Intermediate piece	3 on 4	1x	
Intermediate piece	4 on 4	1x	

\* Items in kit, delivered as single parts, for self-installation

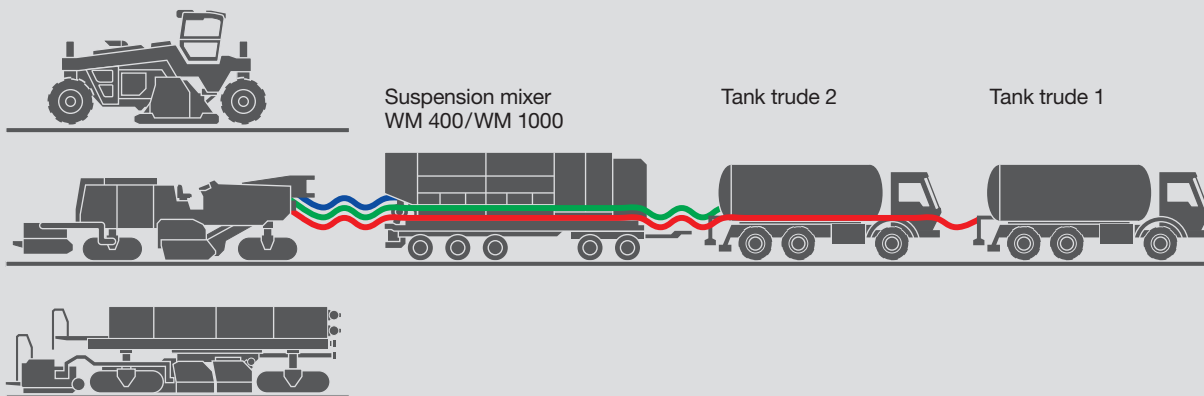
# ORIGINAL WIRTGEN CONNECTIONS AND HOSE SYSTEM FOR COLD RECYCLERS

To operate a Wirtgen recycler as safely as possible on the site, the fittings of Wirtgen machines (MSV) must be connected leak-free. The connection is made with the required MSM coupling to the tank vehicle or binder tank of the suspension mixer. The connections on the Wirtgen binder systems vary in diameter depending on the size and design of the related Wirtgen recycler.

Depending on the length of the tank truck, preassembled binder hoses will be adequate. Should the required length of hose not be available for the related recycler rig, it is possible to order binder hoses by the metre from Wirtgen (without couplings fitted, for self-installation) as an option.

During the selection of the hoses, the diameter is to be taken into account along with the length; the diameter can vary depending on the type of recycler.

## Hose connections for suspension, bitumen and water



## Machine connections of the machines (MSV)

Machine type	Water (inch)	Emulsion (inch)	Hot bitumen (inch)	Suspension (inch)	1800 L (inch)
WR 2000	3	3	4		4
WR 200, WR 200i	3	3	4		4
WR 2400	3	3	4		4
WR 240 / WR 240i	3	3	4	3	4
WR 2500 S	4	4	4	3	4
WR 250	3	3	4	3	4
WR 4200	4	4	4	2	
2200 CR	4	4	4	2	
WM 1000	3 (bushing) SK 3 (water tank)	3 (bushing)	4 (bushing; optional)	3 (outlet)	
KMA 200, KMA 220	SK 3 (water tank)	3	3		



**Checking the expansion of foam bitumen**  
Wirtgen recommends using a measuring bucket with dipstick to check the quality of the foam bitumen. Both are part of the WLB 10S laboratory system and can also be used for the WR series. The bucket has a capacity of 20 litres.

**Bucket**  
Part No.: 101773

**Dipstick**  
Part No.: 2047946

**Overview of hoses: MSM couplings on both sides**

For use with	Ø (inch)	Length (m)	Part No.	Remark
Hot bitumen, emulsion, water	4	4	107812	unheated
Hot bitumen, emulsion, water	4	8	136591	unheated
Hot bitumen, emulsion, water	4	20	108689	unheated
Hot bitumen, emulsion, water	3	6	162915	heated
Hot bitumen, emulsion, water	3	6	162914	unheated
Suspension, water	3	5	104482	unheated
Suspension, water	3	1.6	114285	unheated
Water	3	4	2142840	unheated
Water	3	8	2142841	unheated

**Hose by the metre (without couplings)**

For use with	Ø (inch)	Length (m)	Part No.	MSM kit for couplings	Remark
Hot bitumen	4	Can be freely selected; the desired hose length must be specified in the order.	2142850	2142976	unheated
Water	3		2142849	2142978	unheated
Water	4		2146708	2142976	unheated

# ORIGINAL WIRTGEN ELECTRICAL SERVICE PACKAGE AND EMERGENCY KITS

## Electrical service package for machine operators

Small electrical problems such as blown fuses or failed relays interrupt the work flow at the site significantly. With the electrical service case for machine operators, all the tools and parts to get the machine up and running without much effort directly on the site again are all in a handy box.

The service package contains a variety of electrical parts, such as relays, fuses, valve connectors, auxiliary switches and front elements.



## Electrical service package for workshop staff

The often difficult use of Wirtgen's milling machines requires regular maintenance of the electrical system to ensure the availability at any time.

The electrical service package for workshop staff contains the most common and essential hardware for servicing a machine, all neatly arranged in a case: relays, blade-type fuses, wire-end sleeves, flat plugs, proximity switches, auxiliary switches, front elements and much more.



## Emergency Kits

Downtimes on site cost a lot of money. To reduce the time of unforeseen repairs, Wirtgen assembled an emergency kit for the electrical components of all machines.

The kit's contents make it possible to solve problems rapidly, directly on site, with the parts on board and thus save money. The most important spare parts are always available when needed because the kits are individually compiled for each machine. The kit is supplied in a handy case and can be stowed away in the machine's storage compartment.







Close to  
our customers

Machine type	Model	Series range	Service package for machine operators Part No.	Service package for workshop staff Part No.	Emergency kits Part No.
W 350, W 350 E	0203, 0303	0001 - 9999	147320	2174835	
W 35, W 35 DC	0503, 0403	0001 - 9999	148616	2174832	
W 500	0505, 0605	0001 - 9999	147320	2174835	
W 50, W 50 DC	1005, 0905	0001 - 9999	148616	2174832	
W 60, W 100, W 60i, W 100i	0910, 1210	0001 - 9999	148616	2174832	2091528
W 1000 F, W 1200 F, W 1300 F	0610, 0710	0001 - 0164	147320	2174835	
		0165 - 9999	148616	2174832	
W 1000 F, W 1200 F, W 1300 F	0710	0001 - 0329			194195
		0330 - 9999			200017
W 100 F, W 120 F, W 130 F, W 100 Fi, W 120 Fi, W 130 Fi	0810, 1310	0001 - 9999	148616	2174832	2061025
W 150, W 150i	0513, 0613	0001 - 9999	148616	2174832	2061025
W 1500, W 1900	0820	0001 - 9999	148616	2174832	194189
W 200, W 200i	1220, 1420	0001 - 9999	2143521		2143541
W 2000	0620	0001 - 0215	147320	2174835	194188
		0216 - 9999	148616	2174832	
W 210, W 210i	1320, 1520	0001 - 9999	2143521		2143541
W 2100	0921	0001 - 0011	147320	2174835	194188
		0012 - 9999	148616	2174832	
W 220	0522	0001 - 9999	2143521		2143541
W 2200	0821	0001 - 0059	147320	2174835	194188
		0060 - 9999	148616	2174832	
W 250	0422	0001 - 9999	2143521		2143541
WR 2000	03WR	0001 - 9999	148616	2174832	
		0001 - 0124			200019
		0125 - 9999			2061021
WR 200, WR 200i	06 WR, 09WR	0001 - 9999			2284497
WR 2400	05WR	0001 - 9999	148616	2174832	2061021
WR 240, WR 240i	07WR, 10WR	0001 - 9999			2284497
WR 2500 S	04WR	0001 - 9999	148616	2174832	200020
WR 250	08WR	0001 - 9999			2284497



# ORIGINAL WIRTGEN HALOGEN WORK LIGHTS



Close to  
our customers

Work is performed round-the-clock on a lot of job sites, and many types of work can only be done at night. Optimum illumination of the site is essential for such tasks. To meet these demands, Wirtgen offers an extensive range of work lights that can be used flexibly for a variety of jobs. The lamps can be mounted in existing fixtures at various points on a machine, or entirely as needed at other spots. The lamps are easy to disassemble and store to prevent vandalism and theft.



**A** Small work light with fastening bracket  
Part No.: 178477

**B** Small work light with quick fastening  
Part No.: 2085099

**C** Small work light with magnetic bracket and spiral cable  
Part No.: 177838 with 3-polar plug  
Part No.: 2145206 with 2-polar plug

**D** Large work light with quick fastening  
Part No.: 57775

**E** Large work light with fastening bracket  
Part No.: 10906

**F** Large work light with fastening bracket, cable and plug  
Part No.: 31926

**G** Large work light with magnetic bracket, spiral cable and plug  
Part No.: 117676 with 2-polar plug  
Part No.: 171305 with 3-polar plug (not shown)

**H** Large work light with fastening bracket, spiral cable and plug  
Part No.: 37013

**I** Large bulb for halogen work light (see fig. A to H)  
Part No.: 9778

# ORIGINAL WIRTGEN XENON AND LED WORK LIGHTS



Close to  
our customers



Xenon or LED work lights are particularly suitable for demanding lighting situations. The ultra-modern work lights are very bright, providing ideal illumination of a construction site.

The mounting options and connections are fully compatible with the conventional work light system.

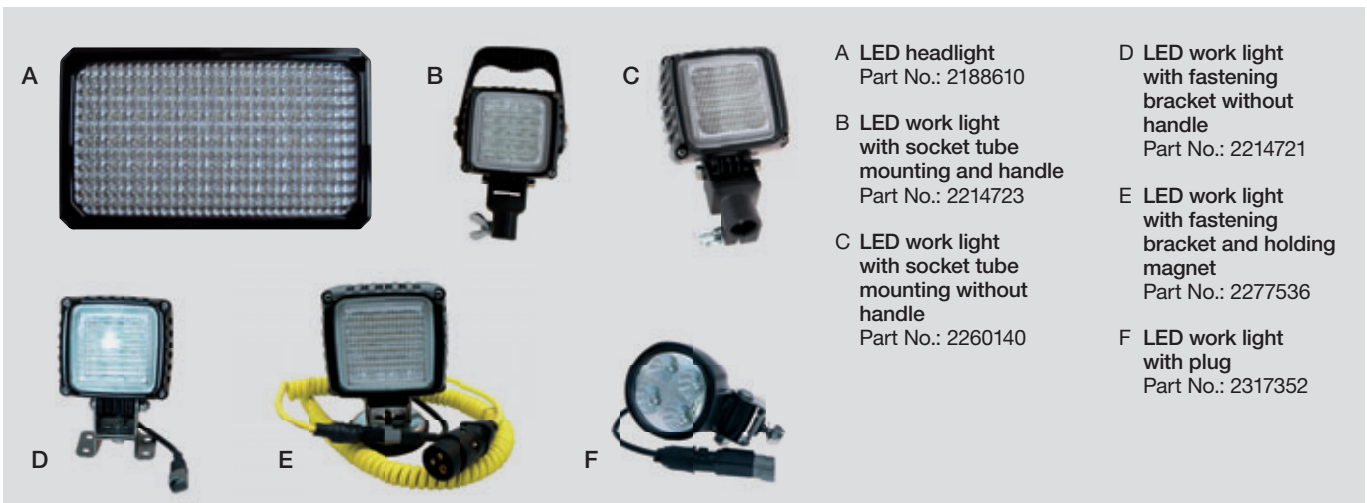


**A** Large work light with magnetic bracket, spiral cable and plug  
Part No.: 146979  
with 2-polar plug  
Part No.: 192460  
with 3-polar plug

**B** Large work light with spiral cable and plug  
Part No.: 161026

**C** Large work light with fastening bracket  
Part No.: 144623

**D** Bulb for Xenon work light (see fig. A to C)  
Part No.: 144624



**A** LED headlight  
Part No.: 2188610

**B** LED work light with socket tube mounting and handle  
Part No.: 2214723

**C** LED work light with socket tube mounting without handle  
Part No.: 2260140

**D** LED work light with fastening bracket without handle  
Part No.: 2214721

**E** LED work light with fastening bracket and holding magnet  
Part No.: 2277536

**F** LED work light with plug  
Part No.: 2317352



# ORIGINAL WIRTGEN SAFETY EQUIPMENT AND LIGHT BALLOONS



Close to  
our customers

Wirtgen machines conform to the highest European and international safety standards. To maintain this prescribed level of safety on a permanent basis, individual pieces of safety equipment must be complete and fully functional, even when exposed to extensive use.

For better illumination of the construction site during the usage of the current large milling machine generation, Wirtgen offers light balloons of varying luminous intensity depending on the generator type and power output (see below). As a result construction sites can be made clearer and safer at night.



<p>A</p>	<p>B</p>	<p>C</p>	<p>A Patrol light (yellow) Part No.: 68407</p>
			<p>B Bulb for patrol light Part No.: 16224</p>
			<p>C Horn/buzzer Part No.: 8015 (Warning horn) Part No.: 10484 (Signalling horn)</p>
<p>D</p>	<p>E</p>		
			<p>D Reversing alarm (for model 0805, 0905, 0403, 0503, 1005, 0910) Part No.: 177788</p>
			<p>E Reversing alarm Part No.: 19636</p>

Generator type	Part No.	Light balloon type (power consumption)	Part No.
4.1 kVA / 110 V with hydraulic motor (socket outlet 16 A CEE)	2117336	110 V / 1.5 kW (3 x 500 W)	2139027
4.1 kVA / 110 V with hydraulic motor (socket outlet 32 A CEE)	2180806	110 V / 2 kW (4 x 500 W)	2180804
4.1 kVA / 230 V with hydraulic motor (power outlet with earthing contact with bayonet ring [IP68])	2117335	230 V / 2 kW (4 x 500 W)	2180841







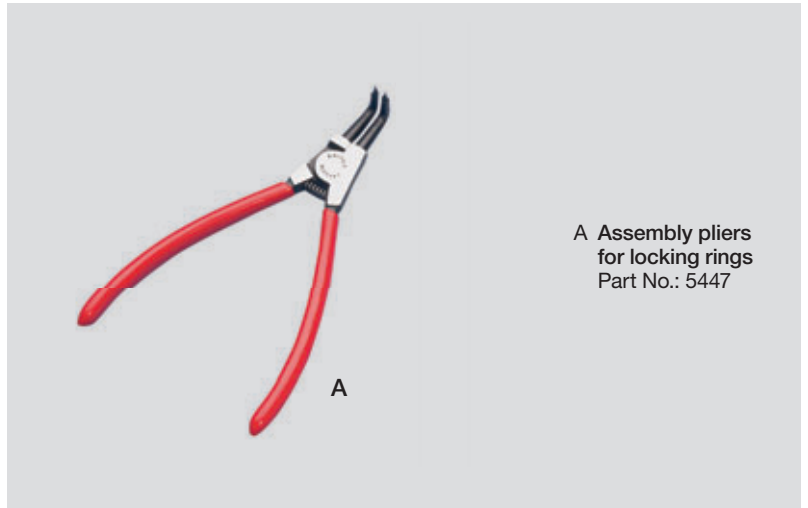
# ORIGINAL WIRTGEN TOOLS FOR CHANGING PICKS

## Rapid replacement of picks

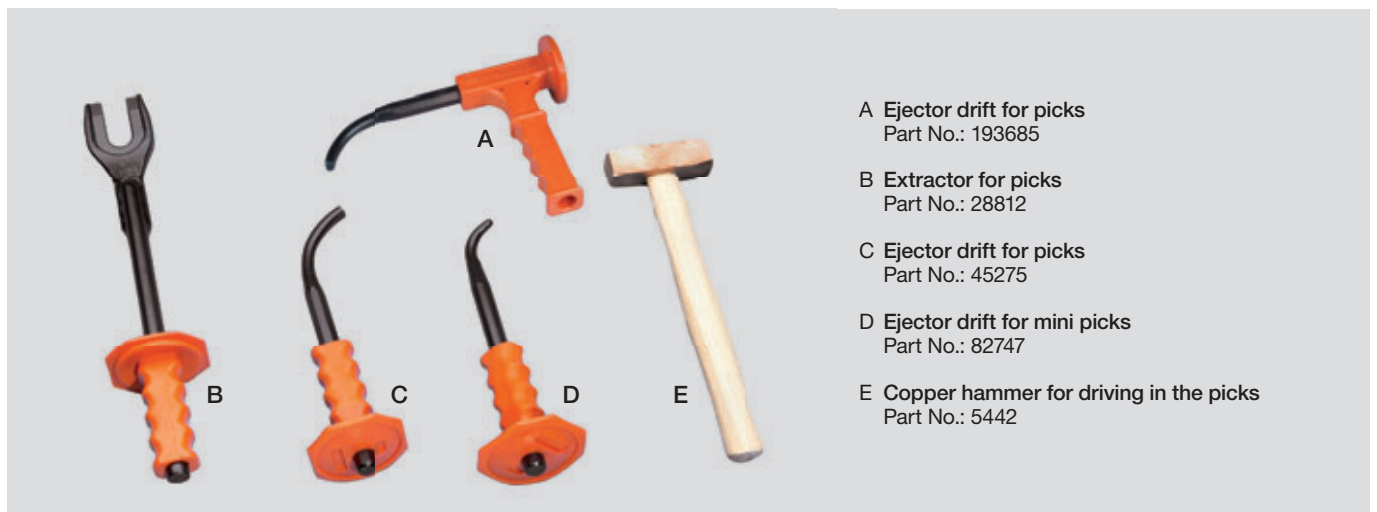
Changing picks leads to machine downtime. To minimise downtime, easy access to the milling drum is ensured on all Wirtgen machines. Wirtgen offers suitable tools for removing the worn picks and fitting the new milling tools.

## Assembly tools for Surface Miner picks

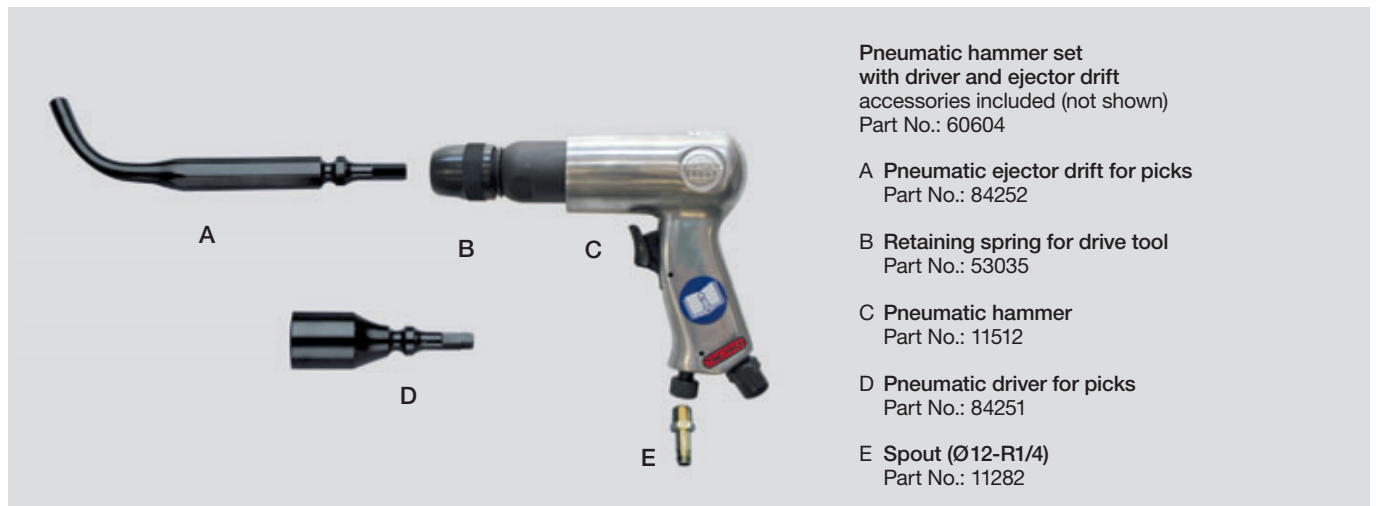
Special pliers are available from Wirtgen for mounting and dismounting the locking rings.



A Assembly pliers  
for locking rings  
Part No.: 5447



- A Ejector drift for picks  
Part No.: 193685
- B Extractor for picks  
Part No.: 28812
- C Ejector drift for picks  
Part No.: 45275
- D Ejector drift for mini picks  
Part No.: 82747
- E Copper hammer for driving in the picks  
Part No.: 5442



- Pneumatic hammer set  
with driver and ejector drift  
accessories included (not shown)  
Part No.: 60604
- A Pneumatic ejector drift for picks  
Part No.: 84252
  - B Retaining spring for drive tool  
Part No.: 53035
  - C Pneumatic hammer  
Part No.: 11512
  - D Pneumatic driver for picks  
Part No.: 84251
  - E Spout (Ø12-R1/4)  
Part No.: 11282



### Hydraulic pick ejector drifts

Picks must be replaced regularly depending on the specific operating conditions on the construction site. This maintenance work causes downtimes.

The hydraulic pick ejector drift helps you to significantly reduce these times. The tool can be used with the holder system HT22, as this has the geometry needed.

The hydraulic pick ejector drift can be retrofitted on large milling machines. It has additional functions that – if fitted – can activate the drum rotating device.

Designation	Part No.
Hydraulically operated pick ejector drift	2137352
Upgrade kit (machine-side) for hydraulic pick ejector drift W 150	2166908
Upgrade kit (machine-side) for hydraulic pick ejector drift W 1500 / W 1900	2166905
Upgrade kit (machine-side) for hydraulic pick ejector drift W 2000	2166907
Upgrade kit (machine-side) for hydraulic pick ejector drift W 2100	2166906
Upgrade kit (machine-side) for hydraulic pick ejector drift W 2200	2166904

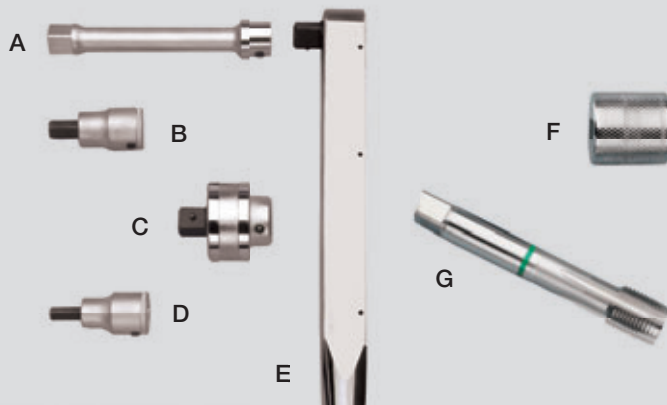


# ORIGINAL WIRTGEN TOOLS FOR THE MAINTENANCE OF TOOLHOLDERS



Close to  
our customers

## Tools for the maintenance of toolholders



A 3/4" extension  
Part No.: 10747

B Hexagon socket  
17 mm for HT2 + HT11  
Part No.: 11886

C Ratchet 3/4"  
Part No.: 97204

D Hexagon socket  
14 mm for HT3  
Part No.: 11151

E Torque wrench  
up to 700 Nm  
Part No.: 68273

F Adapter for  
thread cutter  
Part No. f. HT3: 169132  
Part No. f. HT11: 2089182

G Thread cutter  
for HT3 M 24 x 2  
Part No.: 101772

Thread cutter  
for HT11 M 30 x 2  
(not shown)  
Part No.: 25392

## Tools for the maintenance of toolholders

The original Wirtgen assembly tools for the HT15 quick-change toolholder system are suitable for long-term use. The wrought hexagon socket is manufactured such that the required high torques for fastening the retainer screws can be transmitted.

The thread cutter for reworking threads has a cylindrical guide pin that eases positioning of the tool. As a result the risk of damaging the thread by positioning the tool incorrectly is minimised.



A Thread cutter  
with cylindrical  
guide pin  
M 36 x 2 mm  
Width across  
flats 22 mm  
Part No.:  
2189068



B Hexagon socket  
22 mm for HT15  
Square mount-  
ing 1"  
Part No.: 2197997

## Centring bolts for mounting FCS milling drums

The centring bolts for FCS milling drums make it possible to quickly and straightforwardly change the milling drums. To adjust the milling drum with the aid of a carriage or fork lift truck on the gearbox, it is recommended to use two centring bolts.



A Centring bolt  
Internal thread  
M 22 x 1.5 mm  
Width across  
flats 17 mm  
Part No.: 163632

# ORIGINAL WIRTGEN PROFILE GAUGES



## Pick profile gauge Part No.: 193940

The profile gauges from Wirtgen help to determine the right time for replacing the original Wirtgen picks (see photo) and toolholders. A correct decision is imperative to ensure projects run smoothly and efficiently. Replacement at the right time not only guarantees a reduction in the downtimes, but also has a positive effect on the operating costs.

Using the pick profile gauges, it is also possible to measure the longitudinal wear on the holder systems HT3 and HT11, along with the wear on the picks.



## Belt pulleys profile gauge Part No.: 2065403

The profile gauge for belt pulleys simplifies the estimation of the wear on the edges of the teeth. As a result it is possible to identify the need for replacement in good time. For this purpose it is first necessary to determine the diameter of the belt pulley. Then, using the dimensions stated on the profile gauge, the corresponding segment with the resulting "nominal" edge angle can be used to check the wear. If the section of the profile gauge with the "smile" can be fitted in the power belt pulley without gaps, the pulley is in good condition. However, if the opposite part ("no smile" reject side) fits between the edges of the teeth, the pulley must be replaced. The gauge can be used for all belt pulleys with the exception of the belt pulleys for the W 200 and W 210.





# ORIGINAL WIRTGEN TOOLS



Close to  
our customers

## Vacuum kit

**Part No.: 95304**

When working on the hydraulic system, it is important to prevent hydraulic fluid from escaping. Special precautionary measures should be taken particularly on a job site to comply with environmental regulations.

Using the vacuum kit can effectively help preventing excessive amounts of fluid from escaping when disconnecting a hydraulic hose or dismantling a valve.

## Hydraulic test kit

**Part No.: 12782**

The hydraulic test kit contains a variety of tools required to carry out hydraulic pressure tests and perform adjustments and service work on Wirtgen machines.

Contents: Pressure gauges for different pressure ranges, hydraulic fittings, seals, miniature test connections, tools (e.g. double open-ended spanners, a set of metric hex wrenches with ball end, and a set of SAE hex wrenches).

## Crimping case complete

**Part No.: 2191384**

Specially developed for crimping Wirtgen Group connector and crimp contacts.

Using the instructions enclosed, every technician is able to allocate the various connector or crimp contacts to the correct tool. This will ensure lasting connections without contact error and avoid transition resistance.

In addition, the case contains ejector tools for the Wirtgen Group connectors.

## Electrical test kit

**Part No.: 89900**

The electrical test kit provides high-quality tools that are required for electrical measurements, adjustment and servicing of Wirtgen machines. Basic equipment: Multimeter with extensive accessories such as test leads, test probes, clip-type probes and test adapters. Supplement: Wire stripper, crimping tool for wire-end sleeves, diagonal cutters, needle-nose pliers and screwdriver set.





# ORIGINAL WIRTGEN BELT REPAIR SERVICE PACKAGES



## **Belt repair – cracks**

### **Part No.: 111850**

The service package “belt repair – cracks” is the perfect solution to repair frayed cracks or bridge soft spots before they tear. The package includes all the tools and materials needed for instant repair of longitudinal cracks and cracked edges.

In addition to punches, bolt breakers, cutters and other material, the package also includes a large number of metal connectors to hold the belt together.



## **Belt repair – holes**

### **Part No.: 193618**

Small and medium-sized holes can be repaired very simply with the “belt repair – holes” service package.

The package includes adhesive, hardener and lozenge-shaped patches of various sizes, as well as a round brush, a roller and a tool for roughening the surface.

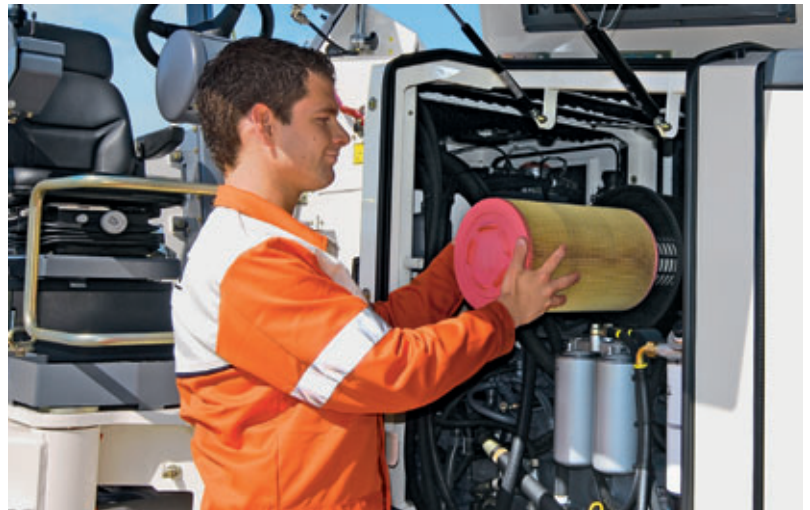


# ORIGINAL WIRTGEN FILTER ELEMENTS

Wirtgen road milling machines, renowned for their high milling performance, are driven by modern diesel engines and hydraulic motors.

Provided they are regularly maintained, original Wirtgen filter elements form the basis for a high milling performance and long engine service life.

Wirtgen has also optimised the adaptation of lubricants and fuels to the requirements of the corresponding filter systems, also guaranteeing the requisite system purity and hence minimising operating costs.



Machine type	Model	Designation	Series range	Replacement interval						Qty.	Part No.
				50 h	250 h, 750 h, 1250 h ...	500 h, 1500 h, 2500 h ...	1000 h, 2000 h, 3000 h ...	at least 1x p.a.	if nec- essary		
W 350	0203	Engine oil filter	0001 - 0594	X	X	X	X			1	10877
			0595 - 9999	X	X	X	X			1	251194
		Fuel filter	0001 - 9999	X	X	X	X			1	234567
		Additional fuel filter	0595 - 9999	X	X	X	X			1	179862
		Main air filter	0001 - 9999			X	X	X	X	1	35721
		Hydraulic oil filter	0001 - 9999	X		X	X	X	X	1	74332
				X		X	X	X	X	1	74334
Filling and ventilation filter	0001 - 9999				X	X		1	5068		
W 35	0503	Engine oil filter	0001 - 9999	X		X	X			1	251194
		Fuel filter	0001 - 9999	X		X	X			1	184822
		Preliminary fuel filter	0001 - 0037	X		X	X			1	179862
		Preliminary fuel filter	0038 - 9999	X		X	X			1	2044633
		Main air filter	0001 - 9999			X	X	X	X	1	147170
		Safety air filter				X	X	X	X	1	147171
		Hydraulic oil filter	0001 - 9999	X		X	X	X	X	1	74332
X				X	X	X	X	1	74334		
Filling and ventilation filter	0001 - 9999				X	X		1	5068		
W 35 DC	0403	Engine oil filter	0001 - 9999	X		X	X			1	251194
		Fuel filter	0001 - 9999	X		X	X			1	184822
		Preliminary fuel filter	0001 - 0165	X		X	X			1	179862
			0166 - 9999	X		X	X			1	2044633
		Main air filter	0001 - 9999			X	X	X	X	1	147170
		Safety air filter				X	X	X	X	1	147171
		Hydraulic oil filter	0001 - 9999	X		X	X	X	X	1	74332
X				X	X	X	X	1	74334		
Filling and ventilation filter	0001 - 9999				X	X		1	5068		
W 500	0605	Engine oil filter	0005 - 9999	X	X	X	X			1	56561
		Fuel filter	0005 - 0903	X	X	X	X			1	1302191
		Preliminary fuel filter	0904 - 9999	X	X	X	X			2	1302191
		Main air filter	0005 - 0275			X	X	X	X	1	2299
			0276 - 9999			X	X	X	X	1	76494
		Safety air filter	0005 - 0275			X	X	X	X	1	1942
			0276 - 9999			X	X	X	X	1	76495
		Hydraulic oil filter	0005 - 9999	X		X	X			1	30294
				X		X	X			1	36519
Additional hydraulic oil filter	0276 - 9999	X		X	X			1	80741		
Filling and ventilation filter	0005 - 9999				X	X		1	14171		

Due to possible technical changes, please always compare with the information in the instruction manual.

# ORIGINAL WIRTGEN FILTER ELEMENTS

Machine type	Model	Designation	Series range	Replacement interval						Qty.	Part No.
				50 h	250 h, 750 h, 1250 h ...	500 h, 1500 h, 2500 h ...	1000 h, 2000 h, 3000 h ...	at least 1x p.a.	if nec- essary		
W 50	0805	Engine oil filter	0001 - 9999	X		X	X			1	251194
		Fuel filter	0001 - 9999	X		X	X			1	184822
		Preliminary fuel filter		X		X	X			1	179862
		Main air filter	0001 - 9999			X	X	X	X	1	1209582
		Safety air filter				X	X	X	X	1	1209612
		Hydraulic oil filter	0001 - 9999	X		X	X	X	X	1	90200
		Filling and ventilation filter	0001 - 9999				X	X		1	5068
		Ventilation filter					X	X		1	179642
W 50	1005	Engine oil filter	0001 - 9999	X		X	X			1	251194
		Fuel filter	0001 - 9999	X		X	X			1	184822
		Preliminary fuel filter	0001 - 0027	X		X	X			1	179862
			0028 - 9999	X		X	X			1	2044633
		Main air filter	0001 - 9999			X	X	X	X	1	1209582
		Safety air filter				X	X	X	X	1	1209612
		Hydraulic oil filter	0001 - 9999	X		X	X	X	X	1	90200
		Filling and ventilation filter	0001 - 9999				X	X		1	5068
Ventilation filter					X	X		1	179642		
W 50 DC	0905	Engine oil filter	0001 - 9999	X		X	X			1	2185177
		Fuel filter	0001 - 0234	X		X	X			2	1940
			0235 - 9999	X		X	X			2	2041593
		Preliminary fuel filter	0001 - 9999	X		X	X			1	1292404
		Main air filter	0001 - 9999			X	X	X	X	1	1209590
		Safety air filter				X	X	X	X	1	1209620
		Hydraulic oil filter	0001 - 9999	X		X	X	X	X	1	90200
		Filling and ventilation filter	0001 - 9999				X	X		1	5068
Ventilation filter					X	X		1	179642		
W 50 DCi	1205	Engine oil filter	0001 - 9999	X		X	X			1	2185177
		Fuel filter	0001 - 9999	X		X	X			2	2041593
		Preliminary fuel filter	0001 - 9999	X		X	X			1	2175352
		Main air filter	0001 - 9999			X	X	X	X	1	1209590
		Safety air filter				X	X	X	X	1	1209620
		Hydraulic oil filter	0001 - 9999	X		X	X	X	X	1	90200
		Filling and ventilation filter	0001 - 9999				X	X		1	5068
		Ventilation filter					X	X		1	179642

Due to possible technical changes, please always compare with the information in the instruction manual.

Machine type	Model	Designation	Series range	Replacement interval						Qty.	Part No.
				50 h	250 h, 750 h, 1250 h ...	500 h, 1500 h, 2500 h ...	1000 h, 2000 h, 3000 h ...	at least 1x p.a.	if nec- essary		
W 50 R, W 60 R	1405	Engine oil filter	0001 - 9999	X		X	X			1	2185177
		Fuel filter	0001 - 9999	X		X	X			2	2041593
		Preliminary fuel filter	0001 - 9999	X		X	X			1	2175352
		Main air filter	0001 - 9999			X	X	X	X	1	2232513
		Safety air filter	0001 - 9999			X	X	X	X	1	2232515
		Hydraulic oil filter	0001 - 9999	X		X	X	X	X	1	90200
		Filling and ventilation filter	0001 - 9999				X	X		1	5068
		Ventilation filter	0001 - 9999				X	X		1	179642
W 50 Ri, W 60 Ri	1505	Engine oil filter	0001 - 9999	X		X	X			1	2185177
		Fuel filter	0001 - 9999	X		X	X			2	2041593
		Preliminary fuel filter	0001 - 9999	X		X	X			1	2175352
		Main air filter	0001 - 9999			X	X	X	X	1	2232513
		Safety air filter	0001 - 9999			X	X	X	X	1	2232515
		Hydraulic oil filter	0001 - 9999	X		X	X	X	X	1	90200
		Filling and ventilation filter	0001 - 9999				X	X		1	5068
		Ventilation filter	0001 - 9999				X	X		1	179642
W 600 DC, W 1000 L	0705	Engine oil filter	0001 - 9999	X		X	X			1	2185177
		Fuel filter	0001 - 0515	X		X	X			1	1213202
			0516 - 9999	X		X	X			2	1940
		Preliminary fuel filter (mesh)	0001 - 0269	X		X	X			1	37785
		Preliminary fuel filter	0270 - 9999	X		X	X			1	122648
		Main air filter	0001 - 9999			X	X	X	X	1	3181
		Safety air filter	0001 - 9999			X	X	X	X	1	34310
		Hydraulic oil filter	0001 - 9999	X		X	X	X	X	1	74332
				X		X	X	X	X	1	45452
Filling and ventilation filter	0001 - 9999				X	X		1	5068		

Due to possible technical changes, please always compare with the information in the instruction manual.



# ORIGINAL WIRTGEN FILTER ELEMENTS

Machine type	Model	Designation	Series range	Replacement interval						Qty.	Part No.
				50 h	250 h, 750 h, 1250 h ...	500 h, 1500 h, 2500 h ...	1000 h, 2000 h, 3000 h ...	at least 1x p.a.	if nec- essary		
W 60, W 100	0910	Engine oil filter	0001 - 9999	X		X	X			1	2185177
		Fuel filter	0001 - 9999	X		X	X			2	2041593
		Preliminary fuel filter		X		X	X			1	1292404
		Main air filter	0001 - 9999			X	X	X	X	1	1266748
		Safety air filter				X	X	X	X	1	1266721
		Hydraulic oil filter	0001 - 9999	X		X	X	X	X	1	90200
		Filling and ventilation filter	0001 - 9999				X	X		1	5068
Ventilation filter					X	X		1	179642		
W 60i, W 100i	1210	Engine oil filter	0001 - 9999	X		X	X			1	2185177
		Fuel filter	0001 - 9999	X		X	X			2	2041593
		Preliminary fuel filter		X		X	X			1	2175352
		Main air filter	0001 - 9999			X	X	X	X	1	1266748
		Safety air filter				X	X	X	X	1	1266721
		Hydraulic oil filter	0001 - 9999	X		X	X	X	X	1	90200
		Filling and ventilation filter	0001 - 9999				X	X		1	5068
Ventilation filter					X	X		1	179642		
W 1000 F, W 1200 F, W 1300 F	0710	Engine oil filter	0001 - 9999	X		X	X			1	2185177
		Fuel filter	0001 - 0559	X		X	X			1	1213202
		Additional fuel filter	0560 - 9999	X		X	X			2	1940
		Preliminary fuel filter (mesh)	0001 - 0074	X		X	X			1	37785
		Preliminary fuel filter	0075 - 9999	X		X	X			1	122648
		Main air filter	0001 - 9999			X	X	X	X	1	4624082176
		Safety air filter	0001 - 9999			X	X	X	X	1	97201
		Hydraulic oil filter	0001 - 9999	X		X	X	X	X	1	90200
		Additional hydraulic oil filter	0330 - 9999	X		X	X	X	X	1	156576
		Sealing kit for additional hydraulic oil filter	0330 - 9999	X		X	X	X	X	1	170082
Filling and ventilation filter	0001 - 9999				X	X		1	5068		
W 100 F, W 120 F, W 130 F	0810	Engine oil filter	0001 - 9999	X		X	X			1	195743
		Fuel filter	0001 - 9999	X		X	X			1	195744
		Preliminary fuel filter	0001 - 9999	X		X	X			1	2222815
		Main air filter	0001 - 9999			X	X	X	X	1	191526
		Safety air filter	0001 - 9999			X	X	X	X	1	191525
		Hydraulic oil filter (combined return line filter)	0001 - 9999	X		X	X	X	X	1	90200
		Hydr. oil filter (pressure filter)	0001 - 9999	X		X	X	X	X	1	156576
		Sealing set for pressure filter	0001 - 9999	X		X	X	X	X	1	170082
Filling and ventilation filter	0001 - 9999				X	X		1	5068		

Due to possible technical changes, please always compare with the information in the instruction manual.

Machine type	Model	Designation	Series range	Replacement interval						Qty.	Part No.
				50 h	250 h, 750 h, 1250 h ...	500 h, 1500 h, 2500 h ...	1000 h, 2000 h, 3000 h ...	at least 1x p.a.	if nec- essary		
W 100 Fi, W 120 Fi, W 130 Fi	1310	Engine oil filter	0001 - 9999	X		X	X			1	195743
		Fuel filter	0001 - 9999	X		X	X			1	2222821
		Preliminary fuel filter	0001 - 9999	X		X	X			1	2222815
		Main air filter	0001 - 9999			X	X	X	X	1	2217025
		Safety air filter	0001 - 9999			X	X	X	X	1	2217026
		Crankcase ventilation filter	0001 - 9999				X	X	X	1	2225675
		Hydraulic oil filter (combined return line filter)	0001 - 9999	X		X	X	X	X	1	90200
		Hydr. oil filter (pressure filter)	0001 - 9999	X		X	X	X	X	1	156576
		Sealing set for pressure filter	0001 - 9999	X		X	X	X	X	1	170082
		Filling and ventilation filter	0001 - 9999				X	X		1	5068
W 1500, W 1900	0820	Engine oil filter	0001 - 9999	X	X	X	X			1	145939
		Fuel filter	0001 - 9999	X	X	X	X			1	145940
		Preliminary fuel filter	0001 - 9999	X	X	X	X			1	122648
		Main air filter	0001 - 9999			X	X	X	X	1	85691
		Safety air filter	0001 - 9999			X	X	X	X	1	90980
		Hydraulic oil filter	0001 - 0638	X		X	X	X	X	1	30294
			0639 - 9999	X		X	X	X	X	1	2104522
			0001 - 9999	X		X	X	X	X	1	118266
			0001 - 9999	X		X	X	X	X	1	74334
		Filling and ventilation filter	0001 - 9999				X	X		1	14171
W 150	0513	Engine oil filter	0001 - 9999	X		X	X			1	195743
		Fuel filter	0001 - 9999	X		X	X			1	195744
		Preliminary fuel filter	0001 - 9999	X		X	X			1	2222815
		Main air filter	0001 - 9999			X	X	X	X	1	191526
		Safety air filter	0001 - 9999			X	X	X	X	1	191525
		Hydraulic oil filter (combined return line filter)	0001 - 9999	X		X	X	X	X	1	90200
		Hydr. oil filter (pressure filter)	0001 - 9999	X		X	X	X	X	1	156576
		Sealing set for pressure filter	0001 - 9999	X		X	X	X	X	1	170082
		Filling and ventilation filter	0001 - 9999				X	X		1	5068

Due to possible technical changes, please always compare with the information in the instruction manual.

# ORIGINAL WIRTGEN FILTER ELEMENTS

Machine type	Model	Designation	Series range	Replacement interval						Qty.	Part No.
				50 h	250 h, 750 h, 1250 h ...	500 h, 1500 h, 2500 h ...	1000 h, 2000 h, 3000 h ...	at least 1x p.a.	if nec- essary		
W 150i	0613	Engine oil filter	0001 - 9999	X		X	X			1	195743
		Fuel filter	0001 - 9999	X		X	X			1	2222821
		Preliminary fuel filter	0001 - 9999	X		X	X			1	2222815
		Main air filter	0001 - 9999			X	X	X	X	1	2217025
		Safety air filter	0001 - 9999			X	X	X	X	1	2217026
		Crankcase ventilation filter	0001 - 9999				X	X	X	1	2225675
		Hydraulic oil filter (combined return line filter)	0001 - 9999	X		X	X	X	X	1	90200
		Hydr. oil filter (pressure filter)	0001 - 9999	X		X	X	X	X	1	156576
		Sealing set for pressure filter	0001 - 9999	X		X	X	X	X	1	170082
		Filling and ventilation filter	0001 - 9999				X	X		1	5068
W 2000	0620	Engine oil filter	0001 - 9999	X	X	X	X			1	1877
		Fuel filter	0001 - 9999	X	X	X	X			1	119391
		Preliminary fuel filter (mesh)	0001 - 9999	X	X	X	X			1	50978
		Sealing ring for preliminary fuel filter (mesh)	0001 - 9999	X	X	X	X			1	2065790
		Preliminary fuel filter	0001 - 0865	X	X	X	X			1	119393
			0866 - 9999	X	X	X	X			1	187609
		Main air filter	0001 - 0865			X	X	X	X	1	85691
			0866 - 9999			X	X	X	X	1	194179
		Safety air filter	0001 - 0865			X	X	X	X	1	90980
			0866 - 9999			X	X	X	X	1	194180
		Hydraulic oil filter	0001 - 1438	X		X	X	X	X	1	30294
			1439 - 9999	X		X	X	X	X	1	2104522
			0001 - 9999	X		X	X	X	X	1	118266
				X		X	X	X	X	1	74334
Filling and ventilation filter	0001 - 9999				X	X		1	14171		
W 200	1220	Engine oil filter	0001 - 9999	X		X	X			1	2111169
		Fuel filter	0001 - 9999	X		X	X			1	2111170
		Preliminary fuel filter	0001 - 9999	X		X	X			1	1292404
		Engine coolant filter	0001 - 9999			X	X			1	2111173
		Main air filter	0001 - 9999			X	X	X	X	2	191526
		Safety air filter	0001 - 9999			X	X	X	X	2	191525
		Hydraulic oil filter	0001 - 9999	X		X	X	X	X	1	118266
				X		X	X	X	X	1	2104522
				X		X	X	X	X	1	74334
Filling and ventilation filter	0001 - 9999				X	X		1	14171		

Due to possible technical changes, please always compare with the information in the instruction manual.

Machine type	Model	Designation	Series range	Replacement interval						Qty.	Part No.
				50 h	250 h, 750 h, 1250 h ...	500 h, 1500 h, 2500 h ...	1000 h, 2000 h, 3000 h ...	at least 1x p.a.	if nec- essary		
W 200i	1420	Engine oil filter	0001 - 9999	X		X	X			1	2111169
		Fuel filter	0001 - 9999	X		X	X			1	2222829
		Fuel filter	0001 - 9999	X		X	X			1	2287479
		Preliminary fuel filter	0001 - 9999	X		X	X			1	2268364
		Engine coolant filter	0001 - 9999			X	X			1	2111173
		Main air filter	0001 - 9999			X	X	X	X	2	2220358
		Safety air filter	0001 - 9999			X	X	X	X	2	2220366
		Crankcase ventilation filter	0001 - 9999				X	X	X	1	2225679
		Hydraulic oil filter	0001 - 9999	X		X	X	X	X	1	118266
				X		X	X	X	X	1	2104522
				X		X	X	X	X	1	74334
Filling and ventilation filter	0001 - 9999				X	X		1	14171		
W 2100	0921	Engine oil filter	0001 - 0129	X	X	X	X			1	1877
			0130 - 9999	X	X	X	X			2	1877
		Fuel filter	0001 - 9999	X	X	X	X			1	119391
		Preliminary fuel filter	0001 - 0129	X	X	X	X			1	119393
			0130 - 9999	X	X	X	X			1	187609
		Preliminary fuel filter (mesh)	0001 - 9999	X	X	X	X			1	50978
		Sealing ring for preliminary fuel filter (mesh)	0001 - 9999	X	X	X	X			1	2065790
		Main air filter	0001 - 0129			X	X	X	X	1	85691
			0130 - 9999			X	X	X	X	2	182496
		Safety air filter	0001 - 0129			X	X	X	X	1	90980
			0130 - 9999			X	X	X	X	2	182497
		Hydraulic oil filter	0001 - 0384	X		X	X	X	X	1	30294
			0385 - 9999	X		X	X	X	X	1	2104522
0001 - 9999	X			X	X	X	X	1	118266		
Filling and ventilation filter	0001 - 9999	X		X	X	X	X	1	74334		
					X	X		1	14171		
W 210	1320	Engine oil filter	0001 - 9999	X		X	X			2	195743
		Fuel filter	0001 - 9999	X		X	X			2	195744
		Preliminary fuel filter	0001 - 9999	X		X	X			2	2222815
		Main air filter	0001 - 9999			X	X	X	X	2	191526
		Safety air filter	0001 - 9999			X	X	X	X	2	191525
		Hydraulic oil filter	0001 - 9999	X		X	X	X	X	1	118266
				X		X	X	X	X	1	2104522
				X		X	X	X	X	1	74334
Filling and ventilation filter	0001 - 9999				X	X		1	14171		

Due to possible technical changes, please always compare with the information in the instruction manual.

# ORIGINAL WIRTGEN FILTER ELEMENTS

Machine type	Model	Designation	Series range	Replacement interval						Qty.	Part No.	
				50 h	250 h, 750 h, 1250 h ...	500 h, 1500 h, 2500 h ...	1000 h, 2000 h, 3000 h ...	at least 1x p.a.	if nec- essary			
W 210i	1520	Engine oil filter	0001 - 9999	X		X	X			2	195743	
		Fuel filter	0001 - 9999	X		X	X			2	2222821	
		Preliminary fuel filter	0001 - 9999	X		X	X			2	2222815	
		Main air filter	0001 - 9999			X	X	X	X	2	2217025	
		Safety air filter	0001 - 9999			X	X	X	X	2	2217026	
		Crankcase ventilation filter	0001 - 9999				X	X	X	2	2225675	
		Hydraulic oil filter	0001 - 9999		X		X	X	X	X	1	118266
					X		X	X	X	X	1	2104522
	X				X	X	X	X	1	74334		
	Filling and ventilation filter	0001 - 9999				X	X		1	14171		
W 2200	0821	Engine oil filter	0001 - 9999	X	X	X	X			2	1877	
		Fuel filter	0001 - 0499	X	X	X	X			2	119391	
			0500 - 9999	X	X	X	X			1	2110145	
		Preliminary fuel filter	0001 - 0499	X	X	X	X			1	119393	
			0500 - 9999	X	X	X	X			1	2110146	
		Main air filter	0001 - 0499			X	X	X	X	2	85691	
			0500 - 9999			X	X	X	X	2	95384	
		Safety air filter	0001 - 0499			X	X	X	X	2	90980	
			0500 - 9999			X	X	X	X	2	95383	
		Hydraulic oil filter	0001 - 0499		X		X	X	X	X	2	30294
					X		X	X	X	X	1	2104522
					X		X	X	X	X	1	118266
	X				X	X	X	X	1	74334		
	Filling and ventilation filter	0001 - 9999				X	X		1	14171		
W 220	0522	Engine oil filter	0001 - 9999	X	X	X	X			2	1877	
		Fuel filter	0001 - 9999	X	X	X	X			1	119391	
		Preliminary fuel filter	0001 - 9999	X	X	X	X			1	187609	
		Preliminary fuel filter (mesh)	0001 - 9999	X	X	X	X			1	50978	
		Sealing ring for preliminary fuel filter (mesh)	0001 - 9999	X	X	X	X			1	2065790	
		Main air filter	0001 - 9999		X	X	X	X	X	2	191526	
		Safety air filter	0001 - 9999		X	X	X	X	X	2	191525	
		Hydraulic oil filter	0001 - 9999		X		X	X	X	X	1	118266
					X		X	X	X	X	1	2104522
					X		X	X	X	X	1	74334
	Filling and ventilation filter	0001 - 9999				X	X		1	14171		

Due to possible technical changes, please always compare with the information in the instruction manual.



Machine type	Model	Designation	Series range	Replacement interval						Qty.	Part No.
				50 h	250 h, 750 h, 1250 h ...	500 h, 1500 h, 2500 h ...	1000 h, 2000 h, 3000 h ...	at least 1x p.a.	if nec- essary		
W 250	0422	Engine oil filter	0001 - 9999	X		X	X			1	195743
				X		X	X			1	2111169
		Fuel filter	0001 - 9999	X		X	X			1	195744
				X		X	X			1	2111170
		Preliminary fuel filter	0001 - 9999	X		X	X			1	2222815
				X		X	X			1	1292404
		Engine coolant filter	0001 - 9999			X	X			1	2111173
		Main air filter	0001 - 9999			X	X	X	X	3	191526
		Safety air filter				X	X	X	X	3	191525
		Hydraulic oil filter	0001 - 9999	X		X	X	X	X	1	118266
X				X	X	X	X	1	2104522		
X				X	X	X	X	1	74334		
Filling and ventilation filter	0001 - 9999				X	X		1	14171		
W 250i	0622	Engine oil filter	0001 - 9999	X		X	X			1	195743
				X		X	X			1	2111169
		Fuel filter	0001 - 9999	X		X	X			1	2222821
				X		X	X			1	2222829
		Preliminary fuel filter	0001 - 9999	X		X	X			1	2222815
				X		X	X			1	2268364
		Engine coolant filter	0001 - 9999			X	X			1	2111173
		Main air filter	0001 - 9999			X	X	X	X	4	2220358
		Safety air filter				X	X	X	X	4	2220366
		Crankcase ventilation filter	0001 - 9999				X	X	X	1	2225679
Crankcase ventilation filter	0001 - 9999				X	X	X	1	2225675		
Hydraulic oil filter	0001 - 9999	X		X	X	X	X	1	118266		
		X		X	X	X	X	1	2104522		
		X		X	X	X	X	1	74334		
Filling and ventilation filter	0001 - 9999				X	X		1	14171		
WR 2000	03WR	Engine oil filter	0001 - 9999	X	X	X	X			1	177725
		Fuel filter	0001 - 9999	X	X	X	X			1	145940
		Preliminary fuel filter	0001 - 9999	X	X	X	X			1	1292404
		Main air filter	0001 - 9999			X	X	X	X	1	85691
		Safety air filter	0001 - 9999			X	X	X	X	1	90980
		Hydraulic oil filter	0001 - 0327	X		X	X	X	X	1	30294
			0328 - 9999	X		X	X	X	X	1	2104522
			0001 - 9999	X		X	X	X	X	1	118266
Filling and ventilation filter	0001 - 9999				X	X		1	74334		
Filling and ventilation filter	0001 - 9999				X	X		1	14171		

Due to possible technical changes, please always compare with the information in the instruction manual.

# ORIGINAL WIRTGEN FILTER ELEMENTS

Machine type	Model	Designation	Series range	Replacement interval						Qty.	Part No.
				50 h	250 h, 750 h, 1250 h ...	500 h, 1500 h, 2500 h ...	1000 h, 2000 h, 3000 h ...	at least 1x p.a.	if nec- essary		
WR 200	06WR	Engine oil filter	0001 - 9999	X	X	X	X			1	177725
		Fuel filter	0001 - 9999	X	X	X	X			1	145940
		Preliminary fuel filter	0001 - 9999	X	X	X	X			1	1292404
		Main air filter	0001 - 9999			X	X	X	X	1	85691
		Safety air filter	0001 - 9999			X	X	X	X	1	90980
		Hydraulic oil filter	0001 - 9999	X		X	X	X	X	1	118266
			0001 - 9999	X		X	X	X	X	1	2104522
0001 - 9999	X			X	X	X	X	1	74334		
Filling and ventilation filter	0001 - 9999				X	X		1	14171		
WR 200i	09WR	Engine oil filter	0001 - 9999	X	X	X	X			1	2331567
		Fuel filter	0001 - 9999	X	X	X	X			1	2328575
		Preliminary fuel filter	0001 - 9999	X	X	X	X			1	2328576
		Preliminary fuel filter	0001 - 9999	X	X	X	X			1	1292404
		AdBlue filter	0001 - 9999	X			X			1	2364234
		Main air filter	0001 - 9999			X	X	X	X	1	85691
		Safety air filter	0001 - 9999			X	X	X	X	1	90980
		Hydraulic oil filter	0001 - 9999	X		X	X	X	X	1	118266
			0001 - 9999	X		X	X	X	X	1	2104522
0001 - 9999	X			X	X	X	X	1	74334		
Filling and ventilation filter	0001 - 9999				X	X		1	14171		
WR 2400	05WR	Engine oil filter	0001 - 9999	X	X	X	X			1	145939
		Fuel filter	0001 - 9999	X	X	X	X			1	145940
		Preliminary fuel filter	0001 - 9999	X	X	X	X			1	1292404
		Main air filter	0001 - 9999			X	X	X	X	1	95383
		Safety air filter	0001 - 9999			X	X	X	X	1	95384
		Hydraulic oil filter	0001 - 0211	X		X	X	X	X	1	30294
			0212 - 9999	X		X	X	X	X	1	2104522
			0001 - 9999	X		X	X	X	X	1	118266
0001 - 9999	X			X	X	X	X	1	74334		
Filling and ventilation filter	0001 - 9999				X	X		1	14171		
WR 240	07WR	Engine oil filter	0001 - 9999	X		X	X			1	2111169
		Fuel filter	0001 - 9999	X		X	X			1	2111170
		Preliminary fuel filter	0001 - 9999	X		X	X			1	1292404
		Engine coolant filter	0001 - 9999			X	X			1	2111173
		Main air filter	0001 - 9999			X	X	X	X	2	2185463
		Safety air filter	0001 - 9999			X	X	X	X	2	2185460
		Hydraulic oil filter	0001 - 9999	X		X	X	X	X	1	118266
			0001 - 9999	X		X	X	X	X	1	2104522
0001 - 9999	X			X	X	X	X	1	74334		
Filling and ventilation filter	0001 - 9999				X	X		1	14171		

Due to possible technical changes, please always compare with the information in the instruction manual.

Machine type	Model	Designation	Series range	Replacement interval						Qty.	Part No.	
				50 h	250 h, 750 h, 1250 h ...	500 h, 1500 h, 2500 h ...	1000 h, 2000 h, 3000 h ...	at least 1x p.a.	if nec- essary			
WR 240i	10WR	Engine oil filter	0001 - 9999	X		X	X			1	2111169	
		Fuel filter	0001 - 9999	X		X	X			1	2222829	
		Fuel filter	0001 - 9999	X		X	X			1	2287479	
		Preliminary fuel filter	0001 - 9999	X		X	X			1	2268364	
		Engine coolant filter	0001 - 9999			X	X			1	2111173	
		Main air filter	0001 - 0083				X	X	X	X	2	2220358
			0084 - 9999				X	X	X	X	2	2185463
		Safety air filter	0001 - 0083				X	X	X	X	2	2220366
			0084 - 9999				X	X	X	X	2	2185460
		Crankcase ventilation filter	0001 - 9999					X	X	X	1	2225679
		Hydraulic oil filter	0001 - 9999	X			X	X	X	X	1	118266
			0001 - 9999	X			X	X	X	X	1	2104522
0001 - 9999	X				X	X	X	X	1	74334		
Filling and ventilation filter	0001 - 9999					X	X		1	14171		
WR 2500 S	04WR	Engine oil filter	0001 - 0350	X	X	X	X			1	40113	
			0351 - 9999	X	X	X	X			1	8277	
		Fuel filter	0001 - 0350	X	X	X	X			2	33023	
			0351 - 9999	X	X	X	X			2	1940	
		Preliminary fuel filter	0001 - 9999	X	X	X	X			1	1292404	
		Main air filter	0001 - 0350			X	X	X	X	2	41925	
			0351 - 9999			X	X	X	X	2	41924	
		Safety air filter	0001 - 0350			X	X	X	X	2	41924	
			0351 - 9999			X	X	X	X	2	41924	
		Crankcase ventilation filter	0351 - 9999			X	X	X		2	2128393	
		Hydraulic oil filter	0001 - 0350	X			X	X	X	X	1	30294
			0351 - 9999	X			X	X	X	X	1	2104522
0001 - 9999	X				X	X	X	X	1	118266		
0001 - 9999	X				X	X	X	X	1	74332		
	0001 - 9999	X			X	X	X	X	1	74334		
Filling and ventilation filter	0001 - 9999					X	X		1	14171		
WR 250	08WR	Engine oil filter	0001 - 9999	X	X	X	X			1	1877	
		Fuel filter	0001 - 9999	X	X	X	X			1	119391	
		Preliminary fuel filter	0001 - 9999	X	X	X	X			1	187609	
		Preliminary fuel filter (mesh)	0001 - 9999	X	X	X	X			1	50978	
		Sealing ring for preliminary fuel filter (mesh)	0001 - 9999	X	X	X	X			1	2065790	
		Main air filter	0001 - 9999			X	X	X	X	2	2185460	
		Safety air filter	0001 - 9999			X	X	X	X	2	2185463	
		Hydraulic oil filter	0001 - 9999	X			X	X	X	X	1	2104522
			0001 - 9999	X			X	X	X	X	1	118266
			0001 - 9999	X			X	X	X	X	1	74334
Filling and ventilation filter	0001 - 9999					X	X		1	14171		

Due to possible technical changes, please always compare with the information in the instruction manual.

# ORIGINAL WIRTGEN FILTER ELEMENTS

Machine type	Model	Designation	Series range	Replacement interval						Qty.	Part No.
				50 h	250 h, 750 h, 1250 h ...	500 h, 1500 h, 2500 h ...	1000 h, 2000 h, 3000 h ...	at least 1x p.a.	if nec- essary		
SP 150	09SP	Engine oil filter	0001 - 9999	X		X	X			1	251194
		Fuel filter	0001 - 9999	X		X	X			1	184822
		Preliminary fuel filter	0001 - 0004	X		X	X			1	179862
		Preliminary fuel filter	0005 - 9999	X		X	X			1	37785
		Main air filter	0001 - 9999			X	X	X	X	1	1209582
		Safety air filter	0001 - 9999			X	X	X	X	1	1209612
		Hydraulic oil filter	0001 - 9999	X		X	X	X	X	1	74334
				X		X	X	X	X	2	45452
		Filling and ventilation filter	0001 - 9999	X		X	X	X		1	5068
SP 15	12SP	Engine oil filter	0001 - 9999	X		X	X			1	2185177
		Fuel filter	0001 - 9999	X		X	X			2	2041593
		Preliminary fuel filter	0001 - 9999	X		X	X			1	1292404
		Main air filter	0001 - 0099			X	X	X	X	1	2142670
		Safety air filter	0001 - 9999			X	X	X	X	1	2142671
		Hydraulic oil filter	0001 - 9999	X		X	X	X	X	1	74334
				X		X	X	X	X	1	2138317
				Filling and ventilation filter	0001 - 9999	X		X	X	X	
SP 15i	14SP	Engine oil filter	0001 - 9999	X		X	X			1	2185177
		Fuel filter	0001 - 9999	X		X	X			2	2041593
		Preliminary fuel filter	0001 - 9999	X		X	X			1	2175352
		Main air filter	0001 - 0099			X	X	X	X	1	1266748
		Safety air filter	0001 - 9999			X	X	X	X	1	1266721
		Hydraulic oil filter	0001 - 9999	X		X	X	X	X	1	74334
				X		X	X	X	X	1	2138317
				Filling and ventilation filter	0001 - 9999	X		X	X	X	
SP 250	08SP	Engine oil filter	0001 - 0065	X	X	X	X			1	56561
			0066 - 9999	X		X	X			1	176042
		Fuel filter	0001 - 0065	X	X	X	X			2	1302191
		Preliminary fuel filter	0066 - 9999	X		X	X			1	122648
		Fuel filter	0066 - 9999	X		X	X			1	176043
		Main air filter	0001 - 0065			X	X			1	76494
			0066 - 9999		X	X	X			1	76494
		Safety air filter	0001 - 0065			X	X	X	X	1	76495
			0066 - 9999		X	X	X	X	X	1	76495
		Hydraulic oil filter	0001 - 0065	X		X	X	X	X	1	16312
				X		X	X	X	X	4	45452
				X		X	X	X	X	1	30294
				X		X	X	X	X	1	118266
				X		X	X	X	X	1	30294
		X		X	X	X	X	1	74334		
		Filling and ventilation filter	0001 - 9999				X	X		1	14171

Due to possible technical changes, please always compare with the information in the instruction manual.

Machine type	Model	Designation	Series range	Replacement interval						Qty.	Part No.	
				50 h	250 h, 750 h, 1250 h ...	500 h, 1500 h, 2500 h ...	1000 h, 2000 h, 3000 h ...	at least 1x p.a.	if nec- essary			
SP 25	13SP	Engine oil filter	0001 - 9999	X		X	X			1	2185177	
		Fuel filter	0001 - 9999	X		X	X			2	2041593	
		Preliminary fuel filter	0001 - 9999	X		X	X			1	1292404	
		Main air filter	0001 - 0099			X	X	X	X	1	1266748	
		Safety air filter	0001 - 9999			X	X	X	X	1	1266721	
		Hydraulic oil filter	0001 - 9999	X		X	X	X	X	1	74334	
				X		X	X	X	X	1	118266	
Filling and ventilation filter	0001 - 9999	X		X	X	X		1	14171			
SP 25i	15SP	Engine oil filter	0001 - 9999	X		X	X			1	2185177	
		Fuel filter	0001 - 9999	X		X	X			2	2041593	
		Preliminary fuel filter	0001 - 9999	X		X	X			1	2175352	
		Main air filter	0001 - 0099			X	X	X	X	1	1266748	
		Safety air filter	0001 - 9999			X	X	X	X	1	1266721	
		Hydraulic oil filter	0001 - 9999	X		X	X	X	X	1	74334	
				X		X	X	X	X	1	118266	
Filling and ventilation filter	0001 - 9999	X		X	X	X		1	14171			
SP 500	10SP	Engine oil filter	0001 - 9999	X		X	X			1	2185177	
		Fuel filter	0001 - 0059	X		X	X			2	1940	
		Preliminary fuel filter	0001 - 9999	X		X	X			1	122648	
		Fuel filter	0060 - 9999	X		X	X			2	2041593	
		Preliminary fuel filter	0060 - 9999	X		X	X			1	1292404	
		Main air filter	0001 - 9999			X	X	X	X	1	4624082176	
		Safety air filter	0001 - 9999			X	X	X	X	1	97201	
		Hydraulic oil filter	0001 - 9999	for machines with electr. vibration	X		X	X	X	X	1	74332
					X		X	X	X	X	1	74334
					X		X	X	X	X	2	45452
Hydraulic oil filter	0001 - 9999	for machines with hydr. vibration	X		X	X	X	X	1	74334		
			X		X	X	X	X	4	45452		
Filling and ventilation filter	0001 - 9999				X	X		1	14171			

Due to possible technical changes, please always compare with the information in the instruction manual.



# ORIGINAL WIRTGEN SERVICE PACKAGES FOR ENGINE OIL FILTERS AND HYDRAULIC OIL FILTERS

Machine type	Model	Service package	Series range	Replacement interval			
				50 h	250 h, 750 h, 1250 h ...	500 h, 1500 h, 2500 h ...	1000 h, 2000 h, 3000 h ...
W 350	0203	Engine	0001 - 0594	193099	193099	106519	106519
			0595 - 9999	193100	193100	182336	182336
		Hydraulics	0001 - 9999	107665		107665	106520
W 35	0503	Engine	0001 - 0037	189278		189278	189278
			0038 - 9999	2219665		2089190	2089190
		Hydraulics	0001 - 9999	107665		107665	106520
W 35 DC	0403	Engine	0001 - 0165	189278		189278	189278
			0166 - 9999	2219665		2089190	2089190
		Hydraulics	0001 - 9999	107665		107665	106520
W 500	0605	Engine	0005 - 0275	107686	107686	106521	106521
			0276 - 0903	107686	107686	106523	106523
			0904 - 9999	125015	125015	125016	125016
		Hydraulics	0005 - 0275	107649		107649	106522
			0276 - 9999	107650		107650	106531
W 50	0805	Engine	0001 - 9999	181302		181302	181302
		Hydraulics	0001 - 9999	182467		182467	182469
W 50	1005	Engine	0001 - 0027	2056606		2056606	2056606
			0028 - 9999	2219642		2089191	2089191
		Hydraulics	0001 - 9999	182467		182467	182469
W 50 DC	0905	Engine	0001 - 0234	181303		181303	181303
			0235 - 9999	2219616		2085671	2085671
		Hydraulics	0001 - 9999	182467		182467	182469
W 50 DCi	1205	Engine	0001 - 9999	2336956		2336958	2336958
		Hydraulics	0001 - 9999	182467		182467	182469
W 50 R, W 50 Ri W 60 R, W 60 Ri	1405, 1505	Engine	0001 - 9999	2370100		2370101	2370101
		Hydraulics	0001 - 9999	182467		182469	182469
W 600 DC, W 1000 L	0705	Engine	0001 - 0269	106568		106568	106568
			0270 - 0515	139470		139470	139470
			0516 - 9999	176421		176421	176421
		Hydraulics	0001 - 9999	107698		107698	106569

Due to possible technical changes, please always compare with the information in the instruction manual.

Machine type	Model	Service package	Series range	Replacement interval			
				50 h	250 h, 750 h, 1250 h ...	500 h, 1500 h, 2500 h ...	1000 h, 2000 h, 3000 h ...
W 60, W 100	0910	Engine	0001 - 9999	2196864		2063467	2063467
		Hydraulics	0001 - 9999	182467		182467	182469
W 60i, W 100i	1210	Engine	0001 - 9999	2219670		2217206	2217206
		Hydraulics	0001 - 9999	182467		182467	182469
W 1000 F, W 1200 F, W 1300 F	0710	Engine	0002 - 0074	136834		136834	136834
			0075 - 0559	136833		136833	136833
			0560 - 9999	182335		182335	182335
		Hydraulics	0001 - 0329	107664		107664	105556
			0330 - 9999	181355		181355	172347
W 100 F, W 120 F, W 130 F	0810	Engine	0001 - 9999	2196859		2060509	2060509
		Hydraulics	0001 - 9999	181355		181355	172347
W 100 Fi, W 120 Fi, W 130 Fi	1310	Engine	0001 - 9999	2219674		2217202	2217202
		Hydraulics	0001 - 9999	181355		181355	172347
W 1500, W 1900	0820	Engine	0001 - 9999	193135	193135	147248	147248
		Hydraulics	0001 - 0638	181920		181920	130775
			0639 - 9999	2160672		2160672	2160674
W 150	0513	Engine	0001 - 9999	2196859		2060509	2060509
		Hydraulics	0001 - 9999	181355		181355	172347
W 150i	0613	Engine	0001 - 9999	2219674		2217202	2217202
		Hydraulics	0001 - 9999	181355		181355	172347
W 2000	0620	Engine	0001 - 0865	192887	192887	130774	130774
			0866 - 9999	194311	194311	194312	194312
		Hydraulics	0001 - 1438	181920		181920	130775
			1439 - 9999	2160672		2160672	2160674
W 200	1220	Engine	0001 - 9999	2196860		2141040	2141040
		Hydraulics	0001 - 9999	2110454		2110454	2110456

Due to possible technical changes, please always compare with the information in the instruction manual.

# ORIGINAL WIRTGEN SERVICE PACKAGES FOR ENGINE OIL FILTERS AND HYDRAULIC OIL FILTERS

Machine type	Model	Service package	Series range	Replacement interval			
				50 h	250 h, 750 h, 1250 h ...	500 h, 1500 h, 2500 h ...	1000 h, 2000 h, 3000 h ...
W 200i	1420	Engine	0001 - 9999	2219675		2217204	2217204
		Hydraulics	0001 - 9999	2110454		2110454	2110456
W 2100	0921	Engine	0001 - 0129	192887	192887	130774	130774
			0130 - 9999	193132	193132	186536	186536
		Hydraulics	0001 - 0384	181920		181920	130775
			0385 - 9999	2160672		2160672	2160674
W 210	1320	Engine	0001 - 9999	2196861		2141041	2141041
		Hydraulics	0001 - 9999	2110454		2110454	2110456
W 210i	1520	Engine	0001 - 9999	2219676		2217203	2217203
		Hydraulics	0001 - 9999	2110454		2110454	2110456
W 2200	0821	Engine	0001 - 0499	193133	193133	130344	130344
			0500 - 9999	2110174	2110174	2110175	2110175
		Hydraulics	0001 - 0499	193134		193134	130345
			0500 - 9999	2110454		2110454	2110456
W 220	0522	Engine	0001 - 9999	2219172	2215627	2215627	2215627
		Hydraulics	0001 - 9999	2110454		2110454	2110456
W 250	0422	Engine	0001 - 9999	2196862		2173465	2173465
		Hydraulics	0001 - 9999	2110454		2110454	2110456
W 250i	0622	Engine	0001 - 9999	2275504		2275505	2275505
		Hydraulics	0001 - 9999	2110454		2110454	2110456
WR 2000	03WR	Engine	0001 - 9999	181918	181918	181919	181919
		Hydraulics	0001 - 0327	181920		181920	130775
			0328 - 9999	2160672		2160672	2160674
WR 200	06WR	Engine	0001 - 9999	181918	181918	181919	181919
		Hydraulics	0001 - 9999	2160672		2160672	2160674
WR 200i	09WR	Engine	0001 - 9999	2331705		2331704	2331704
		Hydraulics	0001 - 9999	2160672		2160672	2160674
WR 2400	05WR	Engine	0001 - 9999	192389	192389	192131	192131
		Hydraulics	0001 - 0211	181920		181920	130775
			0212 - 9999	2160672		2160672	2160674
WR 240	07WR	Engine	0001 - 9999	2196860		2223531	2223531
		Hydraulics	0001 - 9999	2160672		2160672	2160674

Due to possible technical changes, please always compare with the information in the instruction manual.

Machine type	Model	Service package	Series range	Replacement interval			
				50 h	250 h, 750 h, 1250 h ...	500 h, 1500 h, 2500 h ...	1000 h, 2000 h, 3000 h ...
WR 240I	10WR	Engine	0001 - 0083	2219675		2217204	2217204
			0084 - 9999	2219675		2409545	2409545
		Hydraulics	0001 - 9999	2160672		2160672	2160674
WR 2500 S	04WR	Engine	0001 - 0350	165056	165056	165057	165057
			0351 - 9999	2219697	2115213	2115214	2115214
		Hydraulics	0001 - 0350	165055		165055	165054
			0351 - 9999	2116463		2116463	2116464
WR 250	08WR	Engine	0001 - 9999	2219172	2262419	2262419	2262419
		Hydraulics	0001 - 9999	2160672		2160672	2160674
SP 150	09SP	Engine	0001 - 0004	181302		181302	181302
			0005 - 9999	2077854		2077854	2077854
		Hydraulics	0001 - 9999	2060566		2060566	2060566
SP 15	12SP	Engine	0001 - 9999	2196863		2164063	2164063
		Hydraulics	0001 - 9999	2164534		2164534	2164534
SP 15i	14SP	Engine	0001 - 9999	2219670		2330727	2330727
		Hydraulics	0001 - 9999	2164534		2164534	2164534
SP 250	08SP	Engine	0001 - 0065	125015	125015	125016	125016
			0066 - 9999	176653		176653	176653
		Hydraulics	0001 - 0065	107655		107655	107431
			0066 - 9999	176654		176654	176655
SP 25	13SP	Engine	0001 - 9999	2196864		2063467	2063467
		Hydraulics	0001 - 9999	2167088		2167088	2167088
SP 25i	15SP	Engine	0001 - 9999	2219670		2217206	2217206
		Hydraulics	0001 - 9999	2167088		2167088	2167088
SP 500	10SP	Engine	0001 - 0059	182335		182335	182335
			0060 - 9999	2103183		2103183	2103183
		Hydraulics electr. vibrator	0001 - 9999	182338		182338	182339
		Hydraulics hydr. vibrator	0001 - 9999	182340		182340	182341

Due to possible technical changes, please always compare with the information in the instruction manual.

# ORIGINAL WIRTGEN MAINTENANCE KITS

Wirtgen maintenance kits contain, adapted to the respective milling machine, all required air, fuel, engine oil and hydraulic oil filters as well as the appropriate lubricants, oils and sealings.





Machine type	Model	Series range	Maintenance interval			
			50 h	250 h, 750 h, 1250 h ...	500 h, 1500 h, 2500 h ...	1000 h, 2000 h, 3000 h ...
W 350	0203	0001 - 0594	2102976	2102978	2102980	2102982
		0595 - 9999	2102977	2102979	2102981	2102983
W 35	0503	0001 - 0037	2103026		2103026	2103033
		0038 - 9999	2103027		2103027	2103034
W 35 DC	0403	0001 - 0165	2103026		2103026	2103033
		0166 - 9999	2103027		2103027	2103034
W 500	0605	0005 - 0275	2103050	2103055	2103057	2103060
		0276 - 0903	2103051	2103055	2103058	2103061
		0904 - 9999	2103053	2103056	2103059	2103062
W 50	0805	0001 - 9999	2102984		2102984	2102987
W 50	1005	0001 - 0027	2101448		2101448	2101455
		0028 - 9999	2101449		2101449	2101456
W 50 DC	0905	0001 - 0234	2103063		2103063	2103069
		0235 - 9999	2103064		2103064	2103070
W 50 DCi	1205	0001 - 9999	2336960		2336960	2336961
W 50 R, W 60 R	1405	0001 - 9999	2391117		2391117	2391119
W 50 Ri, W 60 Ri	1505	0001 - 9999	2370086		2370086	2370087

Due to possible technical changes, please always compare with the information in the instruction manual.

# ORIGINAL WIRTGEN MAINTENANCE KITS

Machine type	Model	Series range	Maintenance interval			
			50 h	250 h, 750 h, 1250 h ...	500 h, 1500 h, 2500 h ...	1000 h, 2000 h, 3000 h ...
W 600 DC, W 1000 L	0705	0001 - 0269	2103028		2103028	2103038
		0270 - 0515	2103039		2103039	2101452
		0516 - 9999	2103065		2103065	2103231
W 60, W 100	0910	0001 - 9999	2103072		2103072	2103075
W 60i, W 100i	1210	0001 - 9999	2217272		2217273	2217274
W 1000 F, W 1200 F, W 1300 F	0710	0001 - 0074	2103254		2103254	2103263
		0075 - 0329	2103255		2103255	2103264
		0330 - 0559	2103256		2103256	2103265
		0560 - 9999	2103257		2103257	2103266
W 100 F, W 120 F, W 130 F	0810	0001 - 9999	2103071		2103077	2103078
W 100 Fi, W 120 Fi, W 130 Fi	1310	0001 - 9999	2217276		2217278	2217279
W 1500, W 1900	0820, 1020	0001 - 0638	2103178	2103179	2103180	2103181
		0639 - 9999	2181376	2103179	2183826	2183827
W 150	0513	0001 - 9999	2103071		2103077	2103076
W 150i	0613	0001 - 9999	2217276		2217278	2217280
W 2000	0620, 1120	0001 - 0865	2103158	2103161	2103163	2103165
		0866 - 1438	2103159	2103162	2103164	2103166
		1439 - 9999	2183828	2103162	2183830	2183831
W 200	1220	0001 - 9999	2142161		2142163	2142164
W 200i	1420	0001 - 9999	2217283		2217285	2217286

Due to possible technical changes, please always compare with the information in the instruction manual.

Machine type	Model	Series range	Maintenance interval			
			50 h	250 h, 750 h, 1250 h ...	500 h, 1500 h, 2500 h ...	1000 h, 2000 h, 3000 h ...
W 2100	0921	0001 - 0129	2103296	2103298	2103300	2103302
		0130 - 0384	2103297	2103299	2103301	2103303
		0385 - 9999	2183833	2103299	2183835	2183836
W 210	1320	0001 - 9999	2142158		2142159	2142160
W 210i	1520	0001 - 9999	2217287		2217288	2217290
W 2200	0821	0001 - 0499	2103187	2103189	2103191	2103194
		0500 - 9999	2110176	2110177	2110178	2110179
W 220	0422	0001 - 9999	2215623		2215625	2215626
W 250	0422	0001 - 9999	2173466		2173467	2173468
W 250i	0622	0001 - 9999	2275506		2275507	2275508
WR 2000	03WR	0001 - 0327	2173657	2173658	2173659	2173660
		0328 - 9999	2183837	2173658	2183839	2183840
WR 200	06WR	0001 - 9999	2183837	2173658	2183839	2331710
WR 200i	09WR	0001 - 9999	2331640		2331642	2331643
WR 2400	05WR	0001 - 0211	2173661	2173662	2173663	2173665
		0212 - 9999	2183841	2173662	2183843	2183844
WR 240	07WR	0001 - 9999	2223472		2223471	2223470
WR 240i	10WR	0001 - 0083	2262358		2262357	2262354
		0084 - 9999	2262358		2409537	2409536
WR 2500 S	04WR	0001 - 0350	2173672	2173673	2173675	2173676
		0351 - 9999	2173677	2252057	2173678	2173681
WR 250	08WR	0001 - 9999	2262420	2282574	2262421	2262422

Due to possible technical changes, please always compare with the information in the instruction manual.

# ORIGINAL WIRTGEN GROUP LUBRICANTS



## Premium lubricants

Wirtgen Group lubricants combine the best possible basic oils and unique additives in customised specifications. The advantages for you:

- Extended oil-change intervals based on oil analysis in the Wirtgen Group
- Compatibility with the first filling
- Optimum protection against wear
- Perfect protection against corrosion
- Traceability in the event of damage

Wirtgen Group lubricants consequently improve the performance and service life of your machines while at the same time durably cutting their running costs. The sensible way to save money!



## One-stop supply

All Wirtgen Group machines – whether Wirtgen milling machine, Vögele paver, Hamm roller or Kleemann plant can be filled and lubricated with the corresponding Wirtgen Group lubricant for each application.\* Together with the carefully coordinated mixture of container sizes, this results in optimised ordering, storage and filling processes.

## Accessories for filling and lubrication

Highly functional accessories “made in Germany”, such as canister pumps and grease guns, are available to assist you in filling and lubricating your machines.



\*Exceptions are indicated

# ORIGINAL WIRTGEN GROUP ACCESSORIES FOR FILLING AND LUBRICATION



## Oil pumps

**Hand pump for 20-l canisters**  
Part No.: 2065044

- Piston pump
- Delivery hose with spring-loaded spiral and anti-kink spring
- Non-drip spout with holder
- Foot valve

**Lever-operated hand pump for 208-l barrels**  
Part No.: 2065045

- Made of metal
- Telescoping intake tube
- Pivotal delivery manifold
- Delivery capacity: 0.2 l / stroke



## Filling cylinder and grease presses

**Filling cylinder**  
Part No.: 2065046 (500 g)  
Part No.: 2065047 (1000 g)

- Made of metal
- Flexible hose

**Grease press / grease gun**  
Part No.: 2065049

- Made of metal
- High pressure output
- Size: 400-g cartridge



## Filling cans and funnels

**Filling cans**  
Part No.: 2065041 (1 l)  
Part No.: 2065042 (2 l)  
Part No.: 2065043 (5 l)

- Flexible spout
- Complete with lid
- Different sizes

**Filling funnels**  
Part No.: 2065039 (180 mm)  
Part No.: 2065040 (220 mm)

- Transparent plastic material
- Complete with lid
- Different diameters



# ORIGINAL WIRTGEN GROUP LUBRICANTS IN DETAIL

Engine oil					
Designation	Description	Class	Exhaust gas standard	Container	Part No.
Wirtgen Group Engine Oil 15W-40	Powerful high-performance engine oil made from excellent basic oils and special additives. Increases the performance output of your engine while at the same time ensuring maximum operational reliability.	ACEA E7/E5, API CI-4 plus	EURO 2, 3 and 4	5 l	2065020
				20 l	2065025
				208 l	2065026
Wirtgen Group Engine Oil 10W-40	The smooth-running engine oil produced using modern synthesis technology with outstanding wear protection and cleaning characteristics is suitable for exhaust gas standards TIER 1, 2, 3 (EURO 3a). For excellent and safe operating properties. Enables longer maintenance intervals as approved by the engine manufacturer.	ACEA E7/E5, API CF	EURO 4 and 5	5 l	2112355
				20 l	2112354
				208 l	2219171
Wirtgen Group Engine Oil "Low SAPS" 10W-30	Semi-synthetic "Low SAPS" engine oil (low sulphated ash, sulphur and phosphorous content) with fuel economy technology. Its low sulphate ash content ensures that burnt oil particles do not prematurely clog the emissions aftertreatment particle filter (DPF).	ACEA E9/E7, API CJ-4	EPA/CARB Tier 4i/f, EU-2004/26/EG Stage IIIB	5 l	2210320
				20 l	2210322
				208 l	2210323
Wirtgen Group Engine Oil "Low SAPS" 10W-40	The very latest synthetic diesel engine oil, extremely high performance, "Low SAPS" (lower levels of sulphur, sulphated ash and phosphor). The engine oil has been specially developed for use in all diesel engines with particle filters (DPF) and SCR systems (adBlue). Helps protect the environment by reducing harmful emissions.	ACEA E6/E7, E4-99 (API CI-4)	EPA/CARB Tier 4f, EU-2004/26/EG Stage 4	5 l	2346869
				20 l	2346870
				208 l	2346871



Close to  
our customers

Hydraulic oil				
Designation	Description	Class	Container	Part No.
Wirtgen Group Hydraulic Oil HVLP 46	High-grade multi-range hydraulic oil with high viscosity index for optimum protection against wear, even in the most difficult service conditions. Thanks to its enhanced specifications, it can be used with long replacement intervals. Optimum cold starting properties are guaranteed.	DIN 51524 Part 3 Type HVLP, ISO 6743/4 HV	20 l	2065028
			208 l	2065029
Wirtgen Group Hydraulic Oil HVLP 68	Zinc hydraulic fluid with high viscosity index	DIN 51524 Part 3 Type HLVP, DIN EN ISO 6743 Part 4 HV	20 l	2118574
Wirtgen Group Bio Hydraulic Oil 46	Rapidly biodegradable multi-use hydraulic fluid reduces wear and provides optimum protection against rust and corrosion. As per EU Eco-label criteria.	ISO 15380 HEES	20 l	2118575
			208 l	2270558

Gear oil				
Designation	Description	Class	Container	Part No.
Wirtgen Group Gear Oil 85W-90	Mineral gear oil of the latest generation for versatile use in gearboxes and axle drives. Stands out through maximum protection against wear and oxidation. Note: Must not be used for Wirtgen milling drum gearboxes, Hamm vibratory bearings and drum drives, as well as for Vögele pump splitter gearboxes and travel drives.	API GL-5	5 l	2065030
			20 l	2065031
			208 l	2065032
Wirtgen Group High-Performance Gear Oil VG 220	Exclusive all-synthetic gear oil designed for heavy-duty use in Wirtgen milling drum gearboxes. Extremely resistant to pressure and temperature. Note: Never mix with mineral gear oil. Must not be used for Hamm vibratory bearings and drum drives.	DIN 51517-3 CLP, ISO 6743-6	5 l	2170074
			20 l	2065033
			208 l	2065034
Wirtgen Group High-Performance Gear Oil VG 150	Exclusive all-synthetic gear oil designed for heavy-duty use in Wirtgen milling drum gearboxes. Extremely resistant to pressure and temperature. Note: Never mix with mineral gear oil. Must not be used for Hamm vibratory bearings and drum drives.	DIN 51517-3 CLP, ISO 6743-6	5 l	2173019
			20 l	199752
Wirtgen Group Special Gear Oil	Special all-synthetic high-performance gear oil for Hamm vibratory bearings and drum drives, as well as for Vögele pump splitter gearboxes and travel drives. Extremely resistant to pressure and temperature. Notes: Must not be mixed with mineral gear oil. Must not be used for Wirtgen milling drum gearboxes.	API GL-5	5 l	1238051
			20 l	2065037
			208 l	2065038

# ORIGINAL WIRTGEN GROUP LUBRICANTS IN DETAIL

Grease			
Designation	Description	Container	Part No.
Wirtgen Group Multipurpose Grease	Highly refined multipurpose grease for a wide range of lubricating jobs, such as on link pins and wheel bearings. State-of-the-art additive technology makes this product particularly suitable for use in conditions subject to impacts and vibration.	400 g	2065035
Wirtgen Group Clutch and Remixer Grease	Exclusive grease for use in clutches and Wirtgen remixers.	400 g	47259
Wirtgen Group Friction and Roller Bearing Grease	Exclusive grease for lubricating rolling and plain bearings exposed to high temperatures in Vögele machines.	18 kg	2027868
		12 x 400 g	2086136
Wirtgen Group Telescoping Tube Grease	Special high-performance grease based on silicone for use on Vögele telescoping tubes.	100 g	2086137
Wirtgen Group Low-Viscosity Grease	Thermally stable, high-performance low-viscosity grease with exceptional wear-resistance properties for Vögele auger drives.	5 kg	2050152
Wirtgen Group Asphalt Anti Stick	Perfect solution for Hamm rubber and combined wheel rollers: It prevents adhesion of the bitumen on the rubber tyres. The emulsion is based on a non-toxic solution and is thus rapidly biodegradable.	5 l	2117378
		20 l	2117379
Wirtgen Group Drum Bearing Grease	Exclusive grease for lubricating Hamm drum bearings. Extremely resistant to temperature and pressure.	1 kg	1205757
Wirtgen Group Drive Bearing Grease	Special high-performance grease for use in Hamm drive bearings. Extremely resistant to pressure and water-repellent.	1 kg	1227114
Wirtgen Group Quick-Change Toolholder Grease	Lubricant for greasing the Wirtgen quick-change toolholder.	480 g	2310279

Other lubricants			
Designation	Description	Container	Part No.
Wirtgen Group Clutch Fluid 32	High-performance hydraulic fluid for use in couplers of Kleemann machines.	5 l	2268030
		20 l	2268032
Wirtgen Group Antifreezing Compound	Coolants, anti-freeze and anti-corrosion agents.	5 l	2173022
		20 l	2173023
		208 l	2173024
Wirtgen Group Silicone Transformer Liquid	DOW transformer oil can be used in the magnetic separator in Kleemann systems.	20 l	2346389





# LUBRICANT REQUIREMENTS WHEN USING ORIGINAL WIRTGEN GROUP LUBRICANT CONTAINERS

Machine type	Model	Engine Oil			Gear Oil			High-Performance Gear Oil VG 220	
		Overall filling capacity (liters)	Container		Overall filling capacity (liters)	Container		Overall filling capacity (liters)	20 liters Part No.: 2065033
			5 liters Part No.: 2065020	20 liters Part No.: 2065025		5 liters Part No.: 2065030	20 liters Part No.: 2065031		
W 350	0203	10.5	3		1.5	1		5.5	1
W 35	0503	6.5	2		3	1		5.5	1
W 35 DC	0403	11	3		3	1		6.5	1
W 500	0605	11.5	3		3.5	1			
W 50	0805	14	3					8	1
W 50	1005	14	3					8	1
W 50 DC	0905	10	3		2	1		15	1
W 50 R, W 60 R	1405	11	3					13*	3 x 2170074
								1.5**	1 x 2170074
W 60, W 100	0910	13	3		1	1		29	2
W 600 DC, W 1000 L	0705	19		1	3.5	1		28	2
W 1000 F	0710	20	1	1	4	1		28	2
W 100 F	0810	26	2	1	4	1		26	2
W 1500, W 1900	0820, 0920, 1020	38		2	9	2		21	1
W 150	0513	26	2	1	4	1		26	2
W 2000	0620, 1120	34		2	16		1	21	1
W 200	1220	45	1	2	8	2		21	1
W 2100	0921	34		2	19		1	37	2
W 210	1320	20 + 24.5	2	2	8	2		21	1
W 2200	0821	68		4	40		2	41	2
W 220	0522	34		2	19		1	41	2
W 250	0422	24.5 + 45		4	40		2	41	2
WR 240	07WR	47	2	2	26.6	2	1	21.3	1 x 199752 1 x 2173019
WR 250	08WR	48	2	2	26.6	2	1	44.7	2 + 2 x 2173019

Due to possible technical changes, please always compare with the information in the instruction manual.

\*Milling gearbox · \*\*Traction drives



Machine type	Model	Engine Oil			Gear Oil			High-Performance Gear Oil VG 220	
		Overall filling capacity (liters)	Container		Overall filling capacity (liters)	Container		Overall filling capacity (liters)	Container
			5 liters Part No.: 2210320	20 liters Part No.: 2210322		5 liters Part No.: 2065030	20 liters Part No.: 2065031		
W 50 DCi	1205	10	3		3	1		15	1
W 50 Ri, W 60 Ri	1505	11	3		13*	3 x 2170074			
					2**	1 x 2170074			
W 60i, W 100i	1210	13	3		1	1		29	2
W 100 Fi, W 120 Fi, W 130 Fi	1310	26	2	1	4	1		26	2
W 150i	0613	26	2	1	4	1		26	2
W 200i	1420	45	1	2	8	2		21	1
W 210i	1520	20 + 24.5	2	2	8	2		21	1
W 250i	0622	25 + 45	2	3	40		2	41	2
WR 200i	09WR	39		2 x 2346870	30.6	3	1	21.3	1 x 199752 1 x 2173019
WR 240i	10WR	45	2	2	26.6	2	1	21.3	1 x 199752 1 x 2173019

Machine type	Model	Engine Oil			Gear Oil			High-Performance Gear Oil VG 150	
		Filling capacity (liters)	Container		Filling capacity (liters)	Container		Filling capacity (liters)	Container
			5 liters Part No.: 2112355	20 liters Part No.: 2112354		5 liters Part No.: 2065030	20 liters Part No.: 2065031		
WR 2000	03WR	39		2	30.6	3	1	21.3	1 + 1 x 2173019
WR 200	06WR	39		2	30.6	3	1	21.3	1 + 1 x 2173019
WR 2400	05WR	38		2	34	3	1	21	1
WR 2500 S	04WR	53	3	2	30	2	1	41	2 x 2065033

Due to possible technical changes, please always compare with the information in the instruction manual.

\*Milling gearbox · \*\*Traction drives

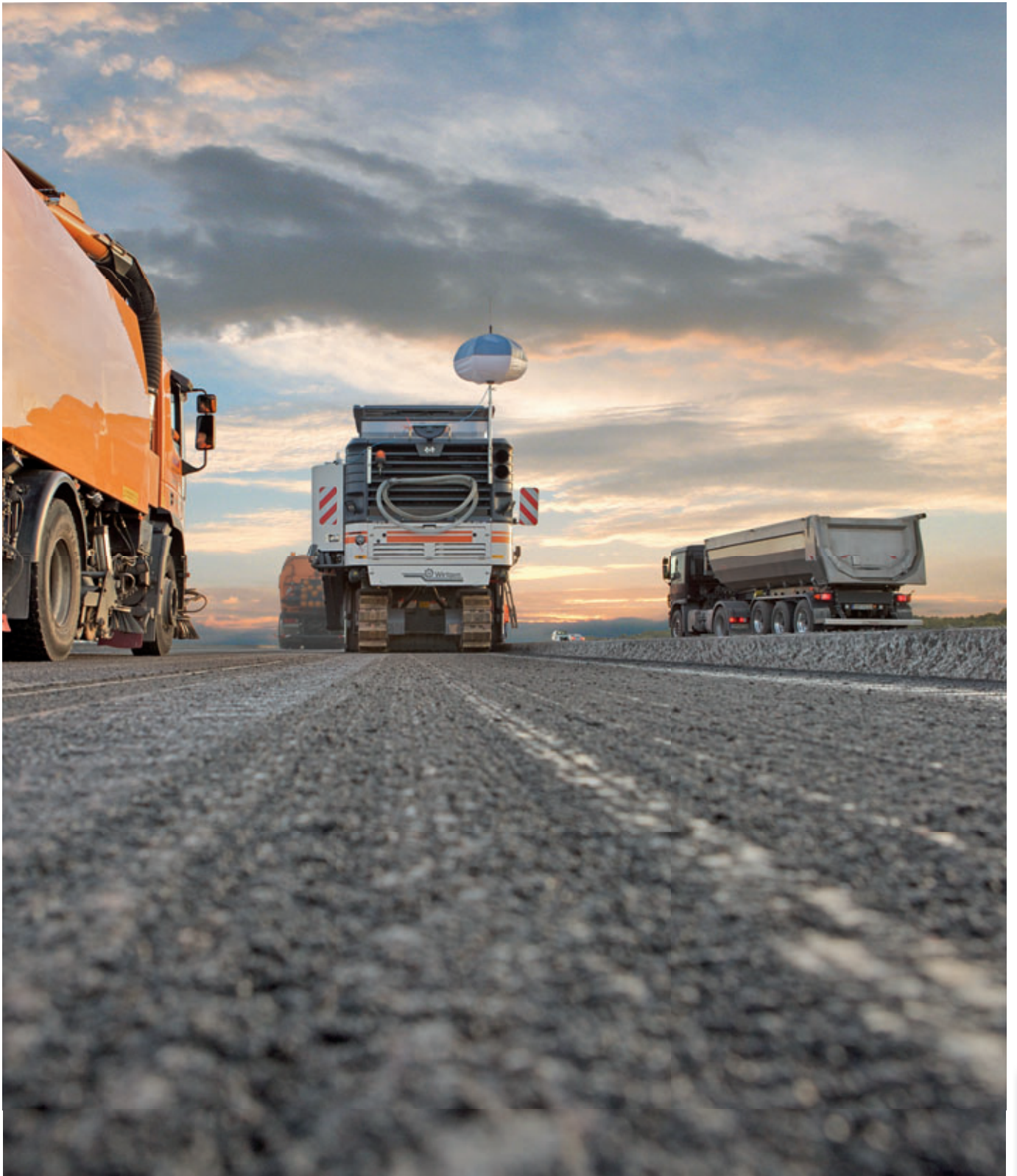
# LUBRICANT REQUIREMENTS WHEN USING ORIGINAL WIRTGEN GROUP LUBRICANT CONTAINERS

Machine type	Model	Hydraulic Oil		Multipurpose Grease	Clutch and Remixer Grease
		Overall filling capacity (liters)	Container size 20 l Part No. 2065028	Container size 400 g Part No. 2065035	Container size 400 g Part No. 47259
W 350	0203	60	3	4	
W 35	0503	55	3	4	
W 35 DC	0403	55	3	4	
W 500	0605	180	9 x 2118574	6	
W 50, W 50 DC, W 50 DCi	0805, 0905, 1005, 1205	80	4	6	
W 50 R, W 60 R, W 50 Ri, W 60 Ri	1405	93	5	6	
W 60, W 100, W 60i, W 100i	0910, 1210	80	4	8	
W 600 DC, W 1000 L	0705	70	4	8	1
W 1000 F	0710	110	6	12	1
W 100 F, W 100 Fi	0810, 1310	130	7	12	1
W 1500, W 1900	0820, 0920, 1020	280	14	12	1
W 150, W 150i	0513, 0613	120	6	12	1
W 2000	0620, 1120	300	15	12	1
W 200, W 200i	1220, 1420	330	17	12	1
W 2100	0921	300	15	12	1
W 210, W 210i	1320, 1520	330	17	12	1
W 2200	0821	500	25	12	1
W 220	0522	300	15	12	1
W 250, W 250i	0422, 0622	300	15	12	1
WR 2000	03WR	260	13	12	1
WR 200 WR 200i	06WR, 09WR	260	13	12	1
WR 2400	05WR	450	23	12	1
WR 240, WR 240i	07WR, 10WR	340	17	12	1
WR 2500 S	04WR	270	14	12	1
WR 250	08WR	340	17	12	1

Due to possible technical changes, please always compare with the information in the instruction manual.








Close to  
our customers











# JOSEPH VÖGELE AG

## THE NAME THAT STANDS FOR WORLD-FAMOUS PAVERS



	<b>Joseph Vögele AG</b>	<b>194</b>
	<b>Core competence paving technology</b>	<b>196</b>
	<b>Conveyance of mix</b>	<b>198</b>
	Pressure rollers	198
	Material hopper rubbers	201
	Service packages for material hoppers	204
	Service package conveyor tracks and conveyor return pulleys	206
	Driving shafts for conveyors	210
	<b>Spreading of mix</b>	<b>212</b>
	Service packages for auger blades	212
	Service packages for augers	214
	Sensors for feed of mix of the augers	216
	Cover rubbers for screeds	218
	<b>Compaction technology</b>	<b>220</b>
	Tamper shields and spring steel strips	220
	Tamper bars	224
	Screed plates	228
	Pressure bars	232
	Service packages for screeds	236
	<b>Generator management and screed heating technology</b>	<b>242</b>
	Generators	244
	V-belts	246
	Heating rods	248

	<b>Screed width control</b>	<b>256</b>
	Guide rails and slide blocks	256
	Telescoping tubes	258
	<b>Crawler unit parts</b>	<b>260</b>
	Crawler unit chains	260
	Track pads	262
	Track rollers	264
	Sprockets	266
	<b>Wheels and tyres</b>	<b>268</b>
	<b>Levelling</b>	<b>272</b>
	Levelling systems for road pavers	272
	Components of the levelling system	276
	Delivery range of the NIVELTRONIC® and NIVELTRONIC® Plus components	278
	<b>Cabin</b>	<b>282</b>
	Spare keys	282
	<b>Tools</b>	<b>284</b>
	Service tools	284
	Service tool kits	286
	Tools for hydraulic systems	287
	Tools for electrical systems	288
	Electrical and hydraulic emergency kits	290
	<b>Filters</b>	<b>292</b>
	Service packages for filters	292
	<b>Lubricants</b>	<b>296</b>
	Lubricants	296
	Accessories for filling and lubrication	297
	Lubricants in detail	298
	Lubricant requirements	302



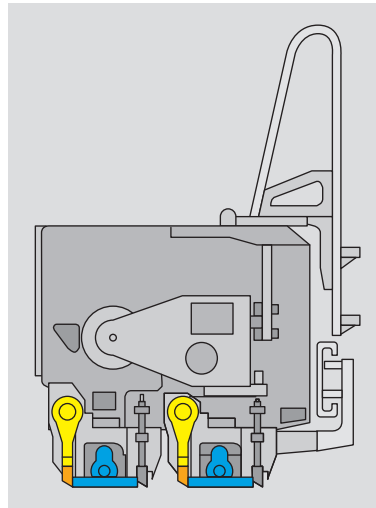


# ORIGINAL VÖGELE CORE COMPETENCE PAVING TECHNOLOGY

Screeds are the core element in every road paver. Vögele provides screeds in two different designs.

An **extending screed (AB)** enables to create varying pave widths between 1.1 m and 10 m. Its advantage is enormous flexibility for different pave widths.

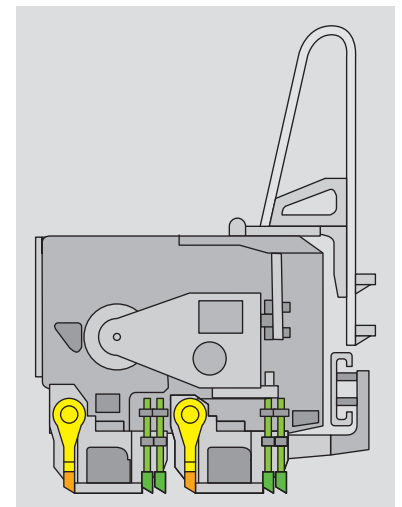
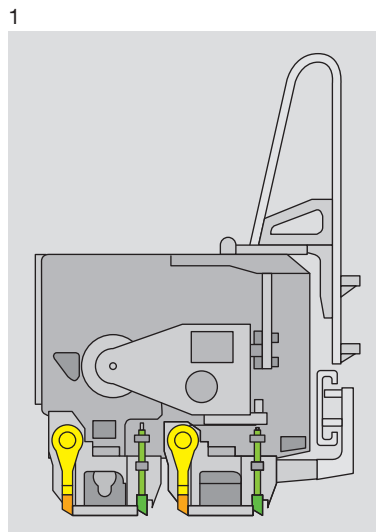
**Fixed-width screeds (SB)** are mainly used for long-term building projects with constant, large pave widths and large radii since they are able to manage pave widths between 2.5 m and 16 m using additional screed attachments.



- 1 TV: Tamper and vibrators
- 2 TP1: Tamper and one pressure bar
- 3 TP2 Plus: Tamper and two pressure bars

As a basic rule, the screed smoothly compacts the material over the whole pave width, thus producing a close-textured structure and an even surface.

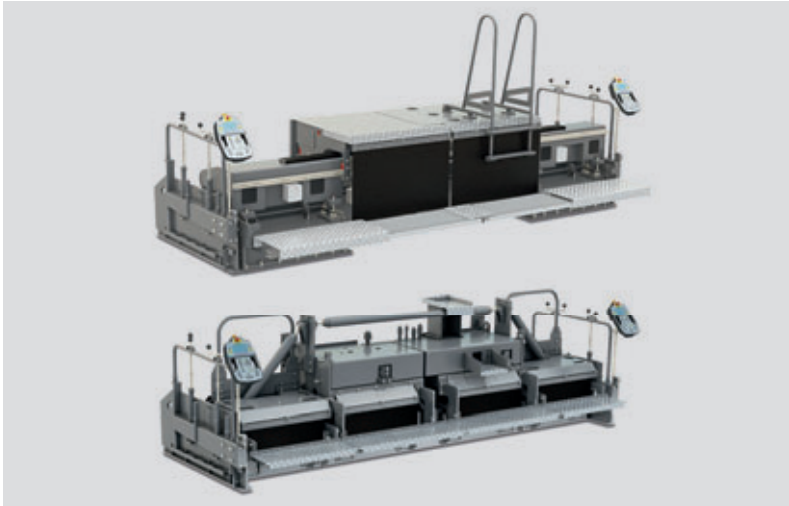
The screed's compacting systems are intended to provide the greatest possible pre-compaction, so that varying layer thickness has less effect on the extent of compaction by rolling during final compaction. There are different compacting systems available for compaction.



2

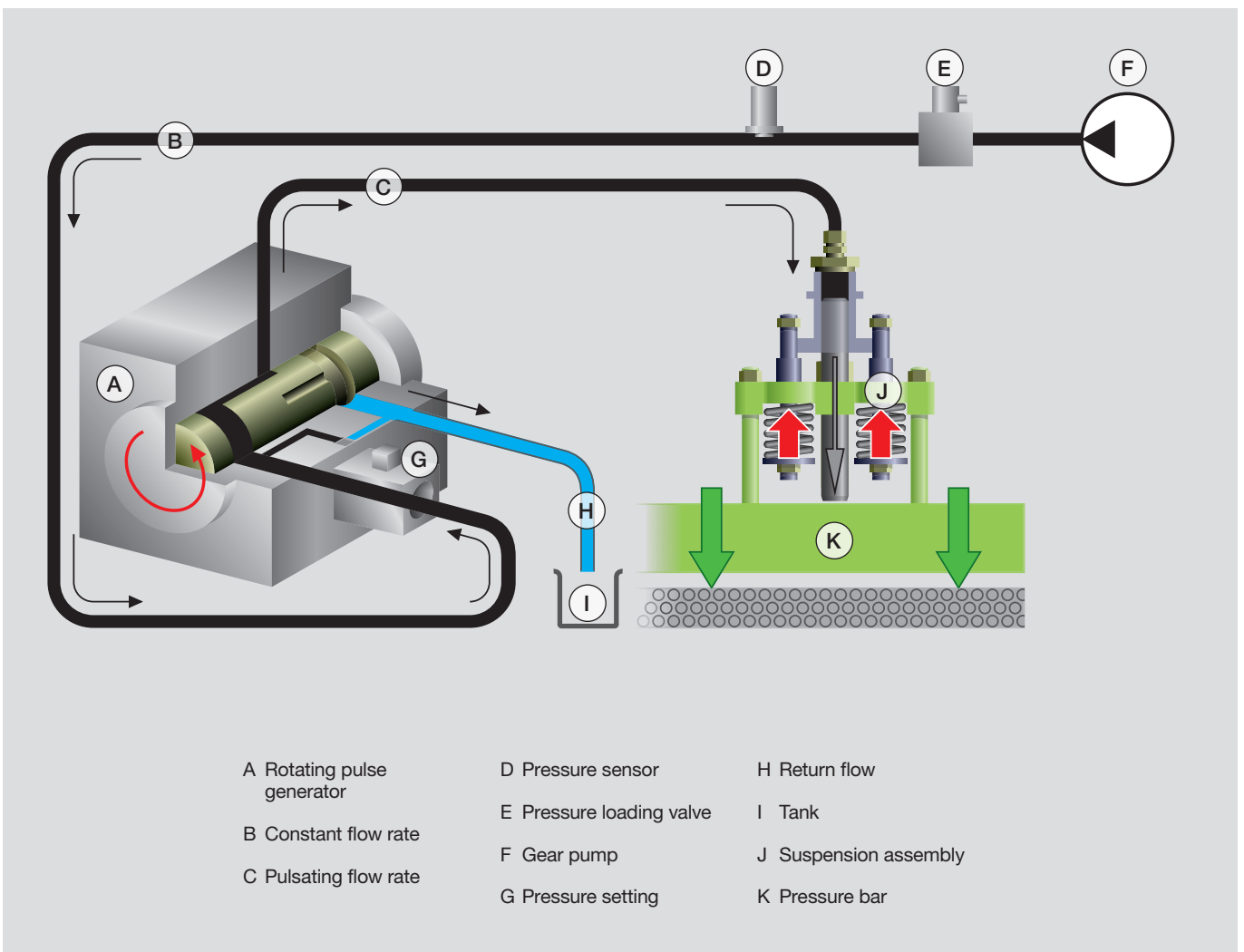
3

Compacting system abbreviation	Description
T (Tamper)	An eccentric shaft causes the tamper bar to move up and down.
V (Vibration)	Vibrations are generated by an eccentric shaft acting on the screed plates at right angles to the direction of motion.
P (Pressure bar)	The pressure bars are hydraulically pressed onto the material at a frequency of 68 Hz (approx.) and a maximum pressure of 120 bar.
P1	Screed equipped with one pressure bar
P2	Screed equipped with two pressure bars
Plus	Screed equipped with two pressure bars, modified tamper geometry and additional weights in the screed frame



### High compaction method of operation

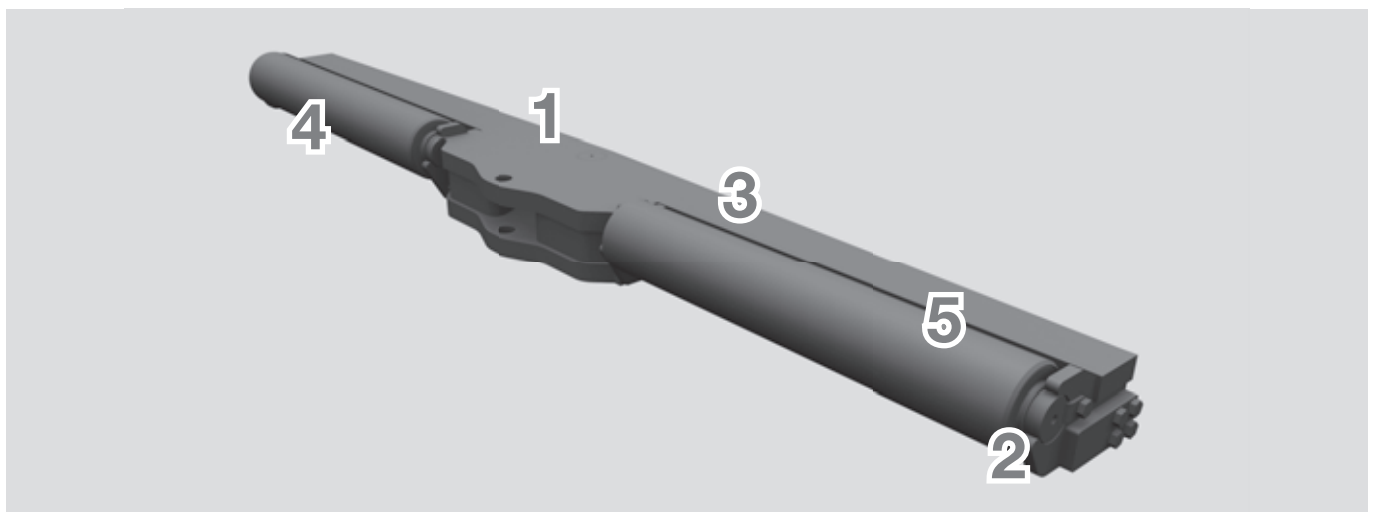
A pulse generator generates a pulsating pressure via the pressure bars. During this process, the pump provides a constant flow which is interrupted by the pulse generator's rotating movement. The flow is interrupted about 68 times a second based on the pre-set rpm. Thereby the pressure bar is pressed downwards at about 68 Hz and it is pulled up again by the spring assembly. The pressure bar needs at least 40 bar to overcome the spring force. The pressure can be read using the pressure sensor in the machine's lateral console and can be set using an electrically adjustable pressure control valve.



# ORIGINAL VÖGELE PRESSURE ROLLERS

The push rolls at the front of the paver take the highest loads. This mainly concerns the moment when a truck with asphalt drives onto these to supply the machine with new material during the paving process.

Vögele ensures in the selection of the bearings that they demonstrate the highest quality features, so that smooth rotation of the wheels of the truck is ensured, and that the filling process is not adversely affected in any way.



- 1** The overall system of the push roller is designed for maximum loads.
- 2** The inner bearings offer the best possible quality and long service life.
- 3** The pendulum suspension allows for easy start-up of trucks during the curve paving.
- 4** The push roller protects the asphalt pattern the machine from collisions.
- 5** Sprung push rollers PaveDock reliably absorb all jolts of the feed vehicle on “-3” machines.

Machine type	Model	Series range	Designation	Qty.	Part No.	Designation	Qty.	Part No.
SUPER 600, SUPER 700, SUPER 800	0790	0010 - 9999	Round steel	2	2005914	Bearing	4	2005836
SUPER 1100-2, SUPER 1300-2	0811	0010 - 9999	Round steel	2	2005914	Bearing	4	2005836
SUPER 1100-3 (i), SUPER 1300-3 (i)	1011	0010 - 9999	Round steel	2	2005914	Bearing	4	2005836
SUPER 1103-2, SUPER 1303-2	0911	0010 - 9999	Round steel	2	2005914	Bearing	4	2005836
SUPER 1103-3 (i), SUPER 1303-3 (i)	1111	0010 - 9999	Round steel	2	2005914	Bearing	4	2005836
SUPER 1400	0612	0010 - 9999	Pipe	2	4617303289	Axle	2	4601032200
			Bearing	4	9538100625	Lid	4	4604132463
SUPER 1402	0611	0010 - 9999	Pipe	2	4617304327	Bearing	4	9506200625
			Lid	2	4604132492	Lid	2	4604132493
SUPER 1500	0670	0010 - 9999	Pipe	2	4617303289	Axle	2	4601032200
			Bearing	4	9538100625	Lid	4	4604132209
SUPER 1502	0671	0010 - 9999	Pipe	2	4617303289	Axle	2	4601032200
			Bearing	4	9538100625	Lid	4	4604132209
SUPER 1600	0672, 0682	0010 - 9999	Pipe	2	4617303289	Axle	2	4601032200
			Bearing	4	9538100625	Lid	4	4604132209
SUPER 1600-1, SUPER 1800-1	0782	0010 - 9999	Pipe	2	4617305243	Axle	2	4601032333
			Bearing	4	2240570	Lid	4	4604132599
SUPER 1600-1 EP, SUPER 1800-1 EP	0982	0010 - 9999	Pipe	2	4617305243	Axle	2	4601032333
			Bearing	4	2240570	Lid	4	4604132599
SUPER 1600-2, SUPER 1800-2 (SJ)	1182	0010 - 9999	Pipe	2	2040320	Axle	2	2041091
			Bearing	4	2240570	Lid	4	4604132599
SUPER 1600-3 (i)	1582	0010 - 9999	Pipe	2	2182537	Axle	2	2182538
			Bearing	4	2240570	Lid	4	2182539
SUPER 1603	0670, 0673	0010 - 9999	Pipe	2	4617303289	Axle	2	4601032200
			Bearing	4	9538100625	Lid	4	4604132209
SUPER 1603-1, SUPER 1803-1	0783	0010 - 9999	Pipe	2	4617305243	Axle	2	4601032333
			Bearing	4	2240570	Lid	4	4604132599
SUPER 1603-2, SUPER 1803-2	0883	0010 - 9999	Pipe	2	2040320	Axle	2	2041091
			Bearing	4	2240570	Lid	4	4604132599
SUPER 1603-3 (i)	1183	0010 - 9999	Pipe	2	2182537	Axle	2	2182538
			Bearing	4	2240570	Lid	4	2182539

# ORIGINAL VÖGELE PRESSURE ROLLERS



Close to  
our customers

Machine type	Model	Series range	Designation	Qty.	Part No.	Designation	Qty.	Part No.
SUPER 1800, SUPER 1804	0668, 0669	0010 - 9999	Pipe	2	4617303289	Axle	2	4601032200
			Bearing	4	9538100625	Lid	4	4604132209
SUPER 1800-3 (i)	1482	0010 - 9999	Pipe	2	2182537	Axle	2	2182538
			Bearing	4	2240570	Lid	4	2182539
SUPER 1803-3 (i)	1083	0010 - 9999	Pipe	2	2182537	Axle	2	2182538
			Bearing	4	2240570	Lid	4	2182539
SUPER 1900, SUPER 2100	0619	0010 - 9999	Pipe	2	4617305243	Axle	2	4601032333
			Bearing	4	2240570	Lid	4	4604132599
SUPER 1900-2, SUPER 2100-2	0719	0010 - 9999	Pipe	2	2040320	Axle	2	2041091
			Bearing	4	2240570	Lid	4	4604132599
SUPER 2100-2 IP	0719	0727 - 9999	Pipe	2	2040320	Axle	2	2041091
			Bearing	4	2240570	Lid	4	4604132599
SUPER 1900-3 (i), SUPER 2100-3 (i)	0819	0010 - 9999	Pipe	2	2182537	Axle	2	2182538
			Bearing	4	2240570	Lid	4	2182539
SUPER 2500	0674	0001 - 0010	Pipe	2	4617304380	Axle	2	4601032294
			Bearing	4	9506200625	Lid	4	4604132512
		0011 - 9999	Pipe	2	4617304507	Axle	2	4601032333
			Bearing	4	9506200625	Lid	4	4604132523
SUPER 3000-2	0874	0010 - 9999	Pipe	2	2118444	Axle	2	2118447
			Bearing	4	9506200625	Lid	4	2118449
VISION 5100-2	1382	0010 - 9999	Pipe	2	2040320	Axle	2	2041091
			Bearing	4	2240570	Lid	4	4604132599
VISION 5103-2	0983	0010 - 9999	Pipe	2	2040320	Axle	2	2041091
			Bearing	4	2240570	Lid	4	4604132599
VISION 5200-2	0774	0010 - 9999	Pipe	2	2054010	Axle	2	2054006
			Bearing	4	2240570	Lid	4	4604132599
VISION 5200-2 (i)	0974	0010 - 9999	Pipe	2	2054010	Axle	2	2054006
			Bearing	4	2240570	Lid	4	4604132599
VISION 5203-2	0775	0010 - 9999	Pipe	2	2054010	Axle	2	2054006
			Bearing	4	2240570	Lid	4	4604132599
VISION 5203-2 (i)	0875	0010 - 9999	Pipe	2	2054010	Axle	2	2054006
			Bearing	4	2240570	Lid	4	4604132599
MT 1000-1	01MT	0017 - 9999	Pipe	2	4617303289	Axle	2	4601032200
			Bearing	4	9538100625	Lid	4	4604132209
MT 3000-2	0761	0010 - 9999	Pipe	2	2145859	Axle	2	2145868
			Bearing	4	2240570	Lid	4	4604132599

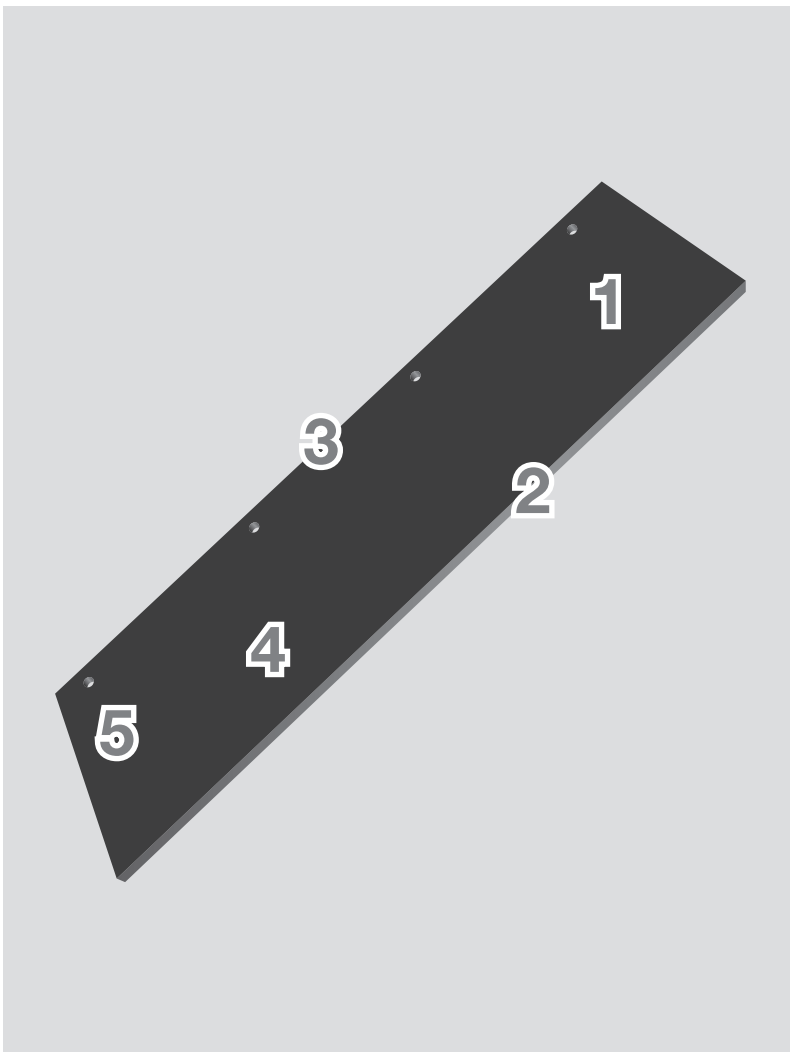


# ORIGINAL VÖGELE MATERIAL HOPPER RUBBERS



The Original Vögele material hopper rubbers are designed to fit all machines and guarantee absolute fitting accuracy. This ensures that no material falls out in front when filling the paver with asphalt, but remains in the hopper of the machine. This guarantees the availability of material from the hopper via the material distribution to the screed.

They also protect the push rolls with a clean edge and can be changed in an instant.



- 1** The exactly fitting material hopper rubber baffles prevent the escape of asphalt.
- 2** Steel inserts strengthen the rubbers and ensure their stability.
- 3** The hopper rubber baffles protect the complete push roller the best way.
- 4** The material hopper rubber baffles are matched to the type of machine.
- 5** Screw connections allow for quick and easy exchange.

# ORIGINAL VÖGELE MATERIAL HOPPER RUBBERS

Machine type	Model	Series range	Scraper rubber left and right		Scraper rubber middle		Rubber right	Rubber left
			Quantity	Part No.	Quantity	Part No.		
SUPER 600, SUPER 700, SUPER 800	0790	0010 - 9999	2	2025844	1	2025841*		2027092**
SUPER 1100-2, SUPER 1300-2	0811	0010 - 9999	2	2048231	1	2048234*		
SUPER 1100-3 (i), SUPER 1300-3 (i)	1011	0010 - 9999	2	2048231	1	2048234*		
SUPER 1103-2, SUPER 1303-2	0911	0010 - 9999	2	2048231	1	2052454*		
SUPER 1103-3 (i), SUPER 1303-3 (i)	1111	0010 - 9999	2	2048231	1	2048234*		
SUPER 1400	0612	0011 - 9999	2	4601112269				
SUPER 1402	0611	0010 - 9999	2	4601112269				
SUPER 1500	0663	0010 - 0500	2	4601112239				
	0670	0010 - 9999	2	4601112239				
SUPER 1502	0662	0010 - 0525	2	4601112239				
	0671	0010 - 9999	2	4601112239				
SUPER 1600	0672	0010 - 0430	2	4601112239				
	0682	0010 - 9999	2	4601112239				
SUPER 1600-1, SUPER 1800-1	0782, 0982	0010 - 9999	2	4601112253	1	4601112254*		
SUPER 1600-2, SUPER 1800-2	1182	0010 - 9999	2	4601112253	1	4601112254*		
SUPER 1600-3 (i)	1582	0010 - 9999	2	2267786*	1	4601112254*		
			2	2267692***	1	2267686***		
SUPER 1603	0673	0010 - 0053	2	4601112239				
	0683	0010 - 9999	2	4601112239				
SUPER 1603-1, SUPER 1803-1	0783	0010 - 9999	2	4601112253	1	4601112254*		
SUPER 1603-2, SUPER 1803-2	0883	0010 - 9999	2	4601112253	1	4601112254*		
SUPER 1603-3 (i)	1183	0010 - 9999	2	2267786*	1	4601112254*		
			2	2267692***	1	2267686***		

\* Only with mechanical inlet flap · \*\* With asymmetric hopper only · \*\*\* Only with hydraulic inlet flap

Machine type	Model	Series range	Scraper rubber left and right		Scraper rubber middle		Rubber right	Rubber left
			Quantity	Part No.	Quantity	Part No.		
SUPER 1800	0668	0010 - 9999	2	4601112239				
SUPER 1800-2 SJ	1182	1414 - 9999	2	2082175***	1	2101422***		
SUPER 1800-3 (i)	1482	0010 - 9999	2	2267786*	1	4601112254*		
			2	2267692***	1	2267686***		
SUPER 1803-3 (i)	1083	0010 - 9999	2	2267786*	1	4601112254*		
			2	2267692***	1	2267686***		
SUPER 1804	0669	0010 - 9999	2	4601112239				
SUPER 1900, SUPER 2100	0619	0005 - 9999	2	4601112202	1	4601112215*		
SUPER 1900-2, SUPER 2100-2	0719	0010 - 9999	2	4601112202	1	4601112215*		
SUPER 1900-3 (i), SUPER 2100-3 (i)	0819	0010 - 9999	2	2183421* 2213268***	1	4601112215* 2212906***		
SUPER 2100-2 IP	0719	0727 - 9999	2	4601112202	1	4601112215*	2x 2038429	2x 2038429
							2x 2038431	2x 2038431
SUPER 2500	0674	0010 - 9999	2	4601112241				
SUPER 3000-2	0874	0010 - 9999	2	2120400	1	2119569		
VISION 5100-2	1382	0010 - 9999	2	2108835	1	2087710	2108798	2108798
VISION 5103-2	0983	0010 - 9999	2	2108835	1	2087621	2115367	2115367
VISION 5200-2	0774	0010 - 0067			1	2078090	2078100	2078108
		0068 - 9999			1	2078090	2102838	2102839
VISION 5200-2 (i)	0974	0010 - 9999			1	2078090	2102838	2102839
VISION 5203-2	0775	0010 - 0057			1	2078090	2078100	2078108
		0058 - 9999			1	2078090	2102838	2102839
VISION 5203-2 (i)	0875	0010 - 9999			1	2078090	2102838	2102839
MT 1000-1	01MT	0017 - 0020	2	4601112274	1	4601112273		
		0021 - 0071	2	2004195	1	4601112273		
		0072 - 9999	2	2107999	1	4601112273		
MT 3000-2	0761	0010 - 9999					2182307	2182289

\* Only with mechanical inlet flap · \*\* With asymmetric hopper only · \*\*\* Only with hydraulic inlet flap

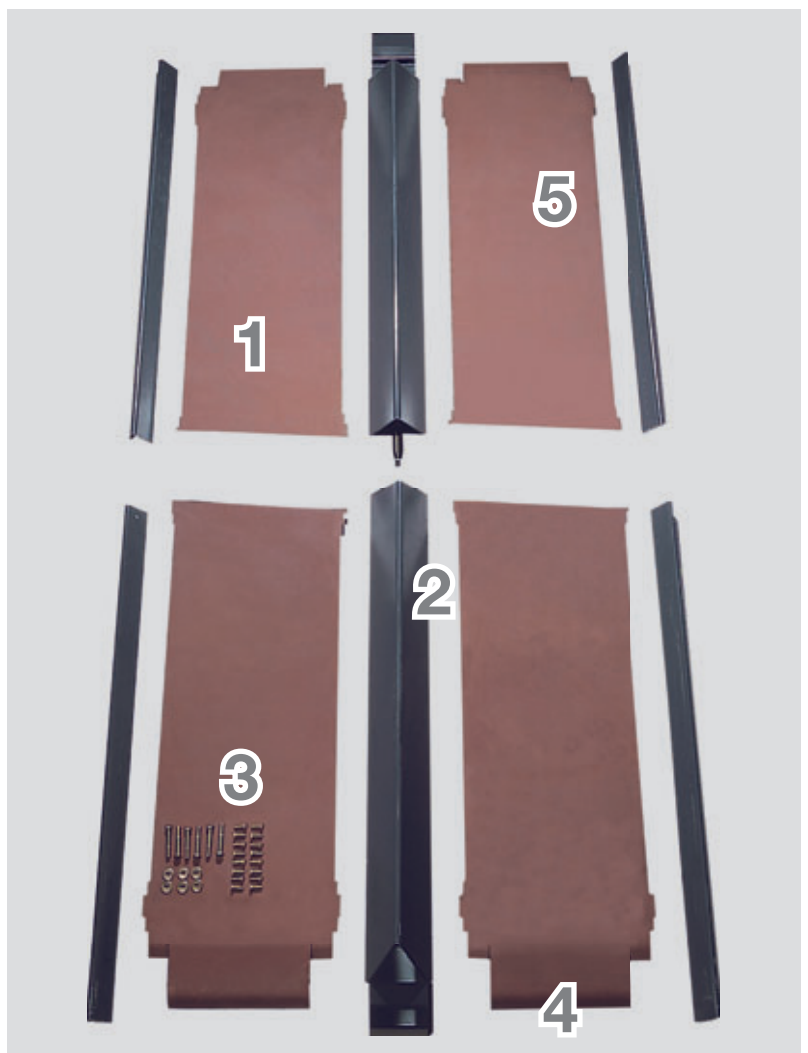
# ORIGINAL VÖGELE SERVICE PACKAGES FOR MATERIAL HOPPERS

## Original Vögele service packages for material hoppers ensuring perfect feed and conveyance of mix

The service package includes all wearing parts for the material hopper such as floor plates, centre and lateral guards as well as mounting materials.



- 1** The floor plates provide a residue-free travel.
- 2** The centre and side conveyor covers protect the conveyor track from wear.
- 3** The complete mounting hardware simplifies installation.
- 4** The material handling system ensures a precisely metered mix and great paving results.
- 5** High-quality materials such as Hardox used at the base plates ensures minimal wear values.



Machine type	Model	Series range	Service package for material hoppers	
			with hydraulic hopper front	with mechanical hopper front
SUPER 600, SUPER 700, SUPER 800	0790	0010 - 9999		2085994
SUPER 1100-2, SUPER 1300-2	0811	0010 - 9999		2084782
SUPER 1100-3 (i), SUPER 1300-3 (i)	1011	0010 - 9999		2084782
SUPER 1103-2, SUPER 1303-2	0911	0010 - 9999		2085982
SUPER 1103-3 (i), SUPER 1303-3 (i)	1111	0010 - 9999		2085982
SUPER 1400	0612	0010 - 9999		4617500046
SUPER 1402	0611	0010 - 9999		4617500047
SUPER 1500	0670	0010 - 0062		4617500048
		0063 - 9999		4617500049
SUPER 1502	0671	0010 - 0090		4617500048
		0091 - 9999		4617500049
SUPER 1600	0672	0010 - 0083		4617500048
		0084 - 9999		
	0682	0010 - 9999		4617500049
SUPER 1600-1, SUPER 1800-1	0782	0010 - 0025	2013188	2013187
		0026 - 9999	2031620	2031619
SUPER 1600-1 EP, SUPER 1800-1 EP	0982	0010 - 9999	2031620	2031619
SUPER 1600-2, SUPER 1800-2 (SJ)	1182	0010 - 9999	2031620	2031619
SUPER 1600-3 (i)	1582	0010 - 9999	2368957	2368951
SUPER 1603	0673	0010 - 9999		4617500050
	0683	0010 - 0043		4617500051
		0044 - 9999		
SUPER 1603-1, SUPER 1803-1	0783	0010 - 0018	2013188	2013187
		0019 - 9999	2031620	2031619
SUPER 1603-2, SUPER 1803-2	0883	0010 - 9999	2031620	2031619
SUPER 1603-3 (i)	1183	0010 - 9999	2369421	2369420
SUPER 1800	0668	0010 - 0240		4617500052
		0241 - 9999		4617500053
SUPER 1800-3 (i)	1482	0010 - 9999	2355960	2355880
SUPER 1803-3 (i)	1083	0010 - 9999	2355960	2355880
SUPER 1804	0669	0010 - 0060		4617500052
		0061 - 0100		4617500054
		0101 - 9999		4617500055
SUPER 1900, SUPER 2100	0619	0010 - 9999	4617500093	4617500094
SUPER 1900-2, SUPER 2100-2	0719	0010 - 9999	2041452	2041453
SUPER 1900-3 (i), SUPER 2100-3 (i)	0819	0010 - 9999	2269373	2269356
SUPER 2100-2 IP	0719	0727 - 9999	2041452	2041453
SUPER 2500	0674	0010 - 9999		4617500057
SUPER 3000-2	0874	0010 - 9999	2164939	2164939
VISION 5100-2	1382	0010 - 9999		2144458
VISION 5103-2	0983	0010 - 9999		2144451
VISION 5200-2	0774	0010 - 9999		2091446
VISION 5200-2 (i)	0974	0010 - 9999		2091446
VISION 5203-2	0775	0010 - 9999		2091446
VISION 5203-2 (i)	0875	0010 - 9999		2091446

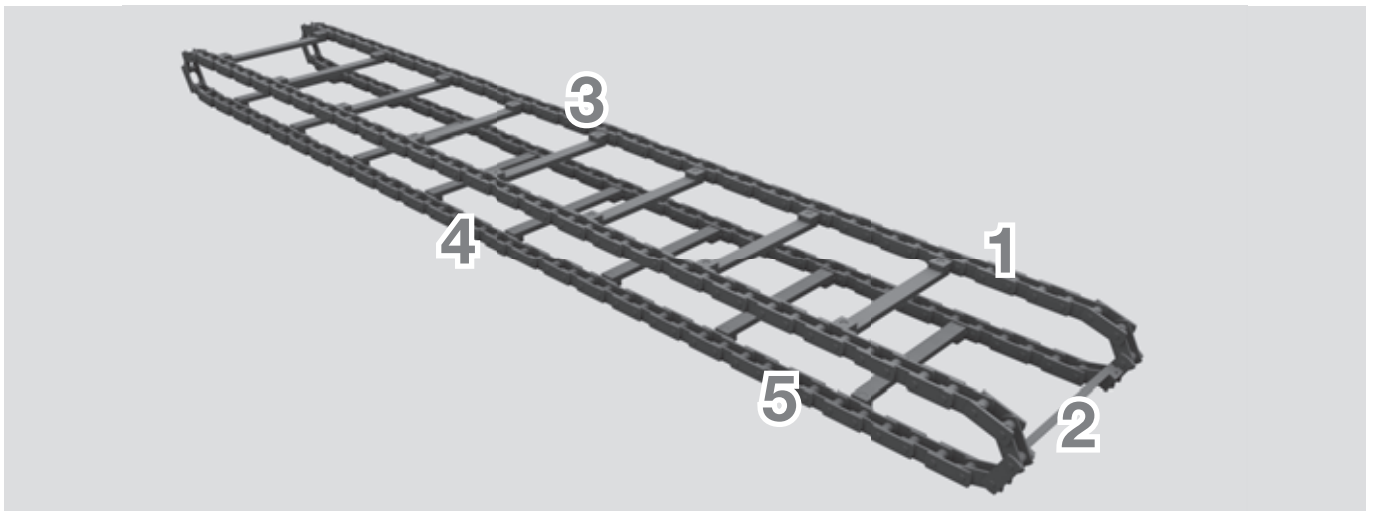
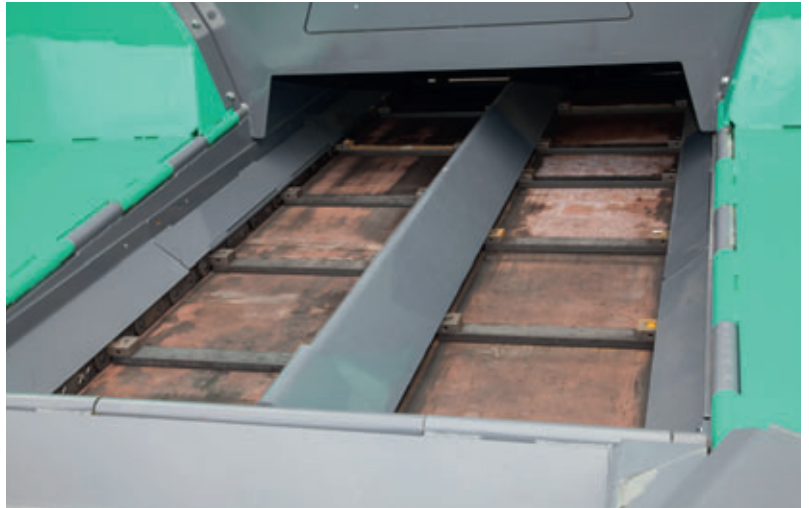


# ORIGINAL VÖGELE SERVICE PACKAGE CONVEYOR TRACKS AND CONVEYOR RETURN PULLEYS

The conveyor chains with feeder bars are pre-assembled for quick replacement.

A preassembled unit includes two conveyor chains with feeder bars, bolts and closing links.

To replace the conveyor return pulleys Vögele offers only materials that are designed for a long service life. This includes beside the return pulleys, all bearings, wear and retaining rings.



- 1** Reinforced tracks also withstand high loads.
- 2** The conveyor bars are fastened to the conveyor track and provide in the overall system the necessary stability.
- 3** The conveyor tracks are made of heavy-duty steel to achieve the best wear resistance of these highly stressed parts.
- 4** Our service packages ensure a quick and easy assembly and disassembly.
- 5** The conveyor tracks offer a precision fit.



Close to  
our customers

Machine type	Model	Series range	Quantity	Part No.
SUPER BOY	0690	0010 - 9999	1	4610312125
SUPER 600, SUPER 700, SUPER 800	0790	0010 - 9999	1	2045812
SUPER 1100-2, SUPER 1300-2	0811	0010 - 9999	2	2046350
SUPER 1100-3 (i), SUPER 1300-3 (i)	1011	0010 - 9999	1	2046350
SUPER 1103-2, SUPER 1303-2	0911	0010 - 9999	2	2052796
SUPER 1103-3 (i), SUPER 1303-3 (i)	1111	0010 - 9999	1	2052796
SUPER 1400	0612	0010 - 9999	1	4610312151
SUPER 1402	0611	0010 - 9999	1	4610312152
SUPER 1500	0670	0010 - 9999	2	4610312123
SUPER 1502	0671	0010 - 9999	2	4610312123
SUPER 1600	0672	0010 - 9999	2	4610312123
SUPER 1600-1, SUPER 1800-1	0782	0010 - 9999	2	2135839
SUPER 1600-1 EP, SUPER 1800-1 EP	0982	0010 - 9999	2	2135839
SUPER 1600-2, SUPER 1800-2 (SJ)	1182	0010 - 9999	2	2135839
SUPER 1600-3 (i)	1582	0010 - 9999	2	2135838
SUPER 1603	0673	0010 - 9999	2	4610312123
SUPER 1603-1, SUPER 1803-1	0783	0010 - 9999	2	2135839
SUPER 1603-2, SUPER 1803-2	0883	0010 - 9999	2	2135839
SUPER 1603-3 (i)	1183	0010 - 9999	2	2135839
SUPER 1800	0668	0010 - 9999	2	4610312118
SUPER 1800-3 (i)	1482	0010 - 9999	2	2135839
SUPER 1803-3 (i)	1083	0010 - 9999	2	2135839
SUPER 1804	0669	0010 - 9999	2	4610312118
SUPER 1900, SUPER 2100	0619	0010 - 9999	2	2135833
SUPER 1900-2, SUPER 2100-2	0719	0010 - 9999	2	2135833
SUPER 1900-3 (i), SUPER 2100-3 (i)	0819	0010 - 9999	2	2135833
SUPER 2100-2 IP	0719	0727 - 9999	2	2135833
SUPER 2500	0674	0010 - 9999	2	4610312150
SUPER 3000-2	0874	0010 - 9999	2	2120082
VISION 5100-2	1382	0010 - 9999	2	2135838
VISION 5103-2	0983	0010 - 9999	2	2135840
VISION 5200-2	0774	0010 - 9999	2	2135844
VISION 5200-2 (i)	0974	0010 - 9999	2	2135844
VISION 5203-2	0775	0010 - 9999	2	2135844
VISION 5203-2 (i)	0875	0010 - 9999	2	2135844

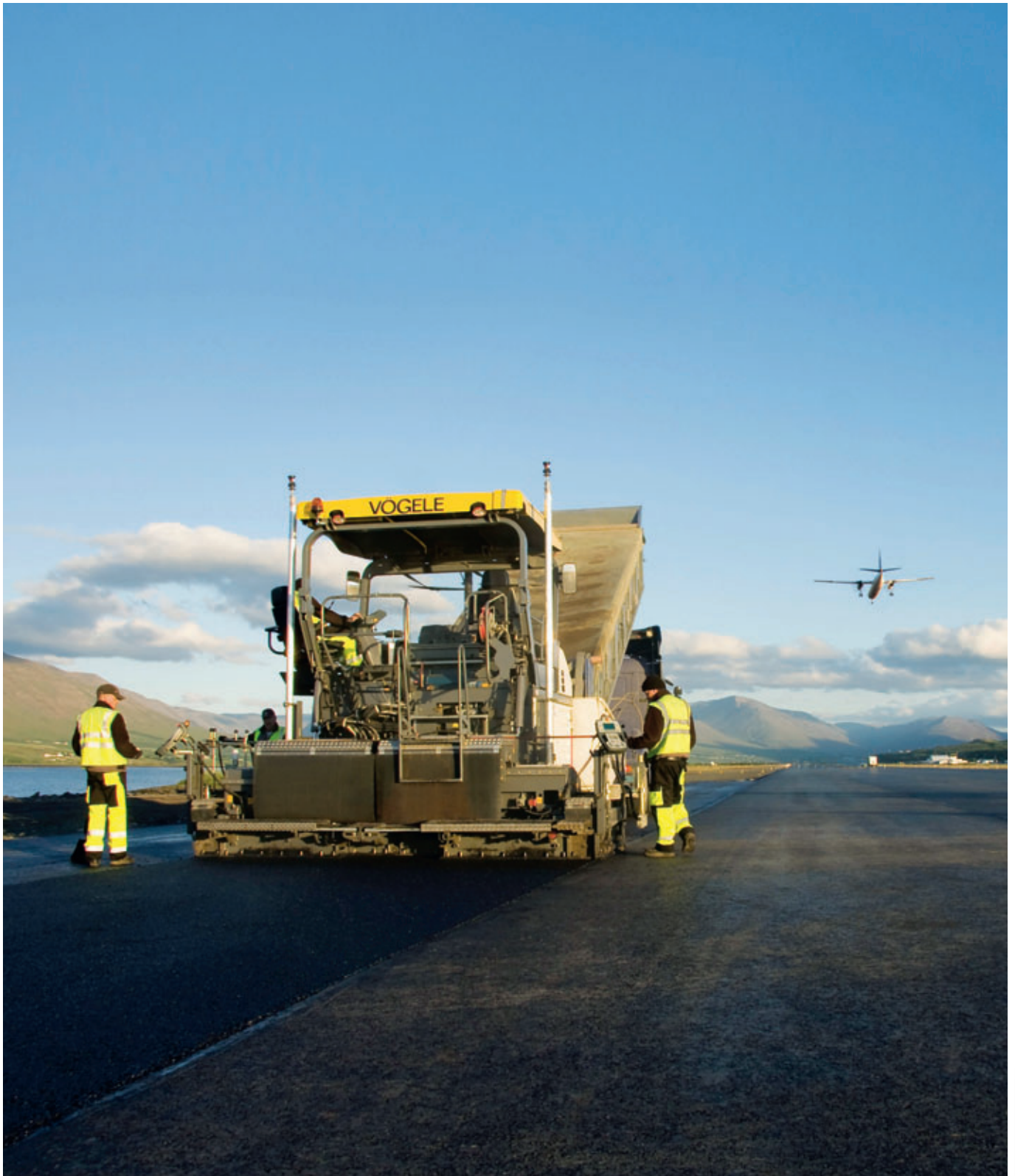
# ORIGINAL VÖGELE SERVICE PACKAGES FOR RETURN SHEAVES FOR CONVEYORS

This service package is made up of all you need for an exchange of your conveyor's return sheaves including roller bearings, wearing rings and retaining rings.

The parts are made of highly wear-resistant materials, thus ensuring long service lives.



Machine type	Model	Series range	Quantity	Part No.
SUPER 600, SUPER 700, SUPER 800	0790	0010 - 9999	1	2037584
SUPER 1100-2, SUPER 1300-2	0811	0010 - 9999	1	2086375
SUPER 1103-2, SUPER 1303-2	0911	0010 - 9999	1	2086375
SUPER 1100-3 (i), SUPER 1300-3 (i)	1011	0010 - 9999	1	2086375
SUPER 1103-3 (i), SUPER 1303-3 (i)	1111	0010 - 9999	1	2086375
SUPER 1400	0612	0010 - 9999	1	4617500066
SUPER 1402	0611	0010 - 9999	1	4617500067
SUPER 1500	0670	0010 - 9999	1	4617500068
SUPER 1502	0671	0010 - 9999	1	4617500068
SUPER 1600	0672, 0682	0010 - 9999	1	4617500068
SUPER 1600-1, SUPER 1800-1	0782	0010 - 9999	1	2013205
SUPER 1600-1 EP, SUPER 1800-1 EP	0982	0010 - 9999	1	2013205
SUPER 1600-2, SUPER 1800-2 (SJ)	1182	0010 - 9999	1	2013205
SUPER 1600-3 (i)	1582	0010 - 9999	1	2013205
SUPER 1603	0673, 0683	0010 - 9999	1	4617500068
SUPER 1603-1, SUPER 1803-1	0783	0010 - 9999	1	2013205
SUPER 1603-2, SUPER 1803-2	0883	0010 - 9999	1	2013205
SUPER 1603-3 (i)	1183	0010 - 9999	1	2013205
SUPER 1800	0668	0010 - 9999	1	4617500068
SUPER 1800-3 (i)	1482	0010 - 9999	1	2013205
SUPER 1803-3 (i)	1083	0010 - 9999	1	2013205
SUPER 1804	0669	0010 - 9999	1	4617500068
SUPER 1900, SUPER 2100	0619	0010 - 9999	1	2013205
SUPER 1900-2, SUPER 2100-2	0719	0010 - 9999	1	2013205
SUPER 1900-3 (i), SUPER 2100-3 (i)	0819	0010 - 9999	1	2013205
SUPER 2100-2 IP	0719	0727 - 9999	1	2013205
SUPER 2500	0674	0010 - 9999	1	2057984
SUPER 3000-2	0874	0010 - 9999	1	2013205
VISION 5100-2	1382	0010 - 9999	1	2013205
VISION 5103-2	0983	0010 - 9999	1	2013205
VISION 5200-2	0774	0010 - 9999	1	2091319
VISION 5200-2 (i)	0974	0010 - 9999	1	2091319
VISION 5203-2	0775	0010 - 9999	1	2091319
VISION 5203-2 (i)	0875	0010 - 9999	1	2091319

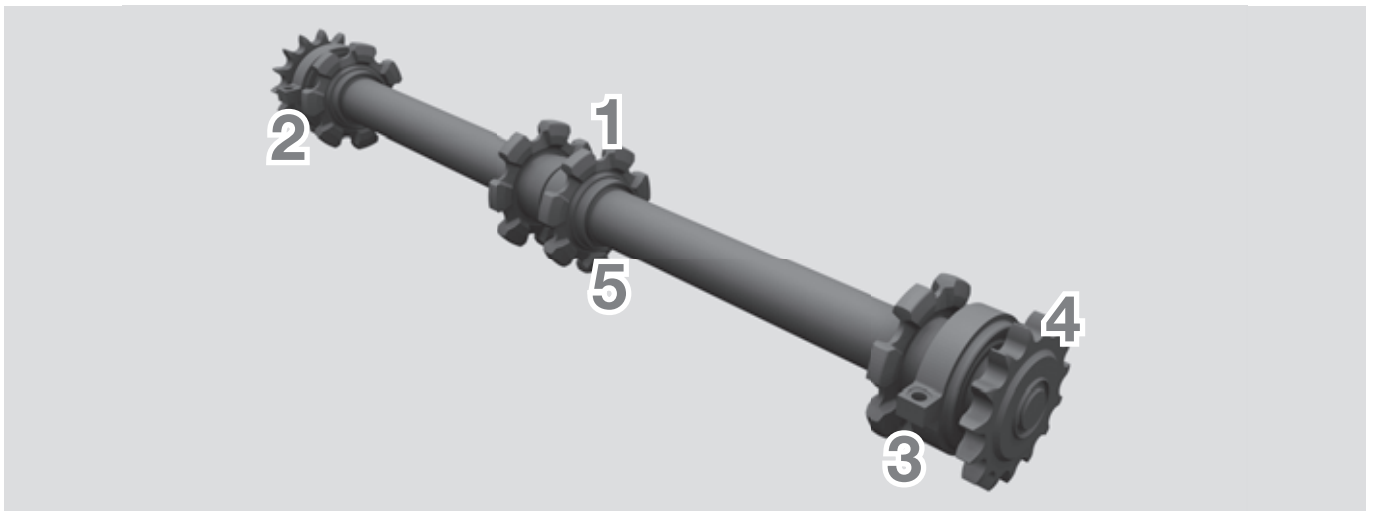


# ORIGINAL VÖGELE DRIVING SHAFTS FOR CONVEYORS

## Original Vögele driving shafts for conveyors to ensure efficient transmission of power and perfect conveyance of mix

Made of a material resistant to severe strain and thanks to manufacture for which tolerances are extremely tight, Vögele driving shafts stand out through remarkably long service lives even in tough continuous operation.

Our kit includes preassembled driving shafts. No time-consuming preassembly needs to be done at your end.



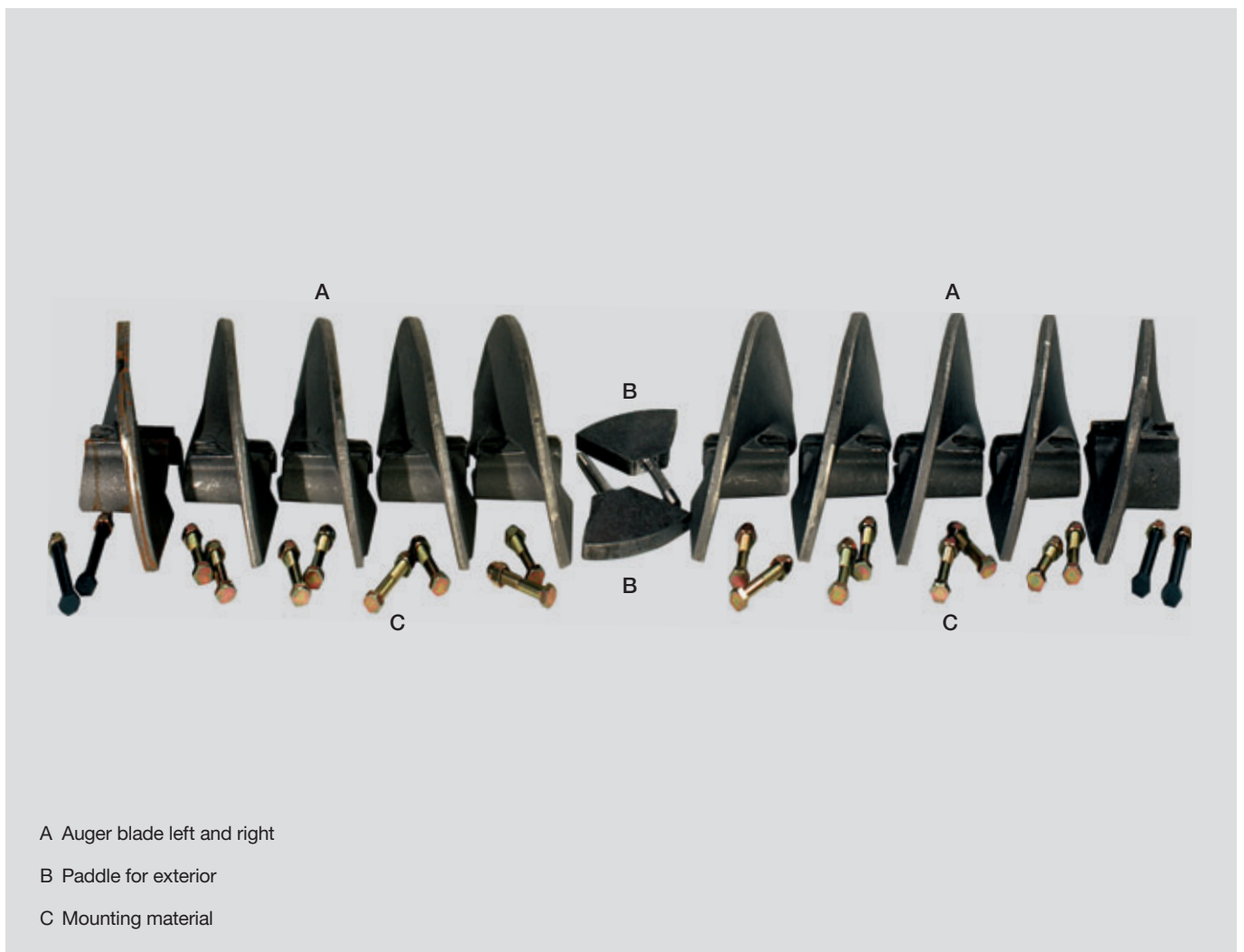
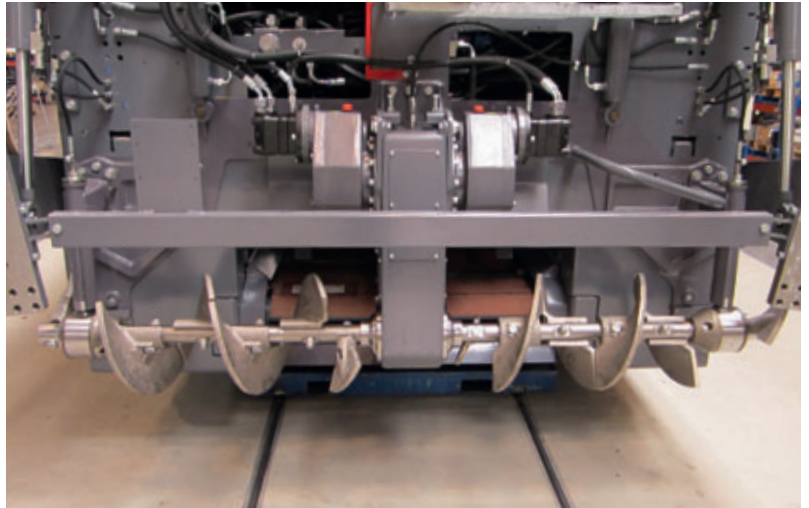
- 1** The drive shafts provide an optimal guide of the conveyor tracks.
- 2** Easy access to the drive shafts facilitates maintenance services.
- 3** Heavy-duty material with tight manufacturing tolerances ensure long life.
- 4** The conveyor drive shaft allows reversing (reverse) of the conveyor.
- 5** The massive construction ensures a quiet run of the drive shaft.



Machine type	Model	Series range	Driving shafts for conveyor	
			left	right
SUPER 600, SUPER 700, SUPER 800	0790	0010 - 9999	2086138	
SUPER 1100-2, SUPER 1300-2	0811	0010 - 9999	2086230	2085818
SUPER 1100-3 (i), SUPER 1300-3 (i)	1011	0010 - 9999	2086230	2085818
SUPER 1103-2, SUPER 1303-2	0911	0010 - 9999	2086201	2086184
SUPER 1103-3 (i), SUPER 1303-3 (i)	1111	0010 - 9999	2086201	2086184
SUPER 1500	0670	0010 - 9999	4622082022	4622082022
SUPER 1502	0671	0010 - 9999	4622082022	4622082022
SUPER 1600	0672, 0682	0010 - 9999	4622082022	4622082022
SUPER 1600-1, SUPER 1800-1	0782	0010 - 9999	4622082829	4622082829
SUPER 1600-1 EP, SUPER 1800-1 EP	0982	0010 - 9999	4622082829	4622082829
SUPER 1600-2, SUPER 1800-2 (SJ)	1182	0010 - 9999	4622082829	4622082829
SUPER 1600-3 (i)	1582	0010 - 9999	4622082829	4622082829
SUPER 1603	0673, 0683	0010 - 9999	4622082022	4622082022
SUPER 1603-1, SUPER 1803-1	0783	0010 - 9999	4622082829	4622082829
SUPER 1603-2, SUPER 1803-2	0883	0010 - 9999	4622082829	4622082829
SUPER 1603-3 (i)	1183	0010 - 9999	4622082829	4622082829
SUPER 1800	0668	0010 - 9999	4622082022	4622082022
SUPER 1800-3 (i)	1482	0010 - 9999	4622082829	4622082829
SUPER 1803-3 (i)	1083	0010 - 9999	4622082829	4622082829
SUPER 1804	0669	0010 - 9999	4622082022	4622082022
SUPER 1900, SUPER 2100	0619	0010 - 9999	4622082826	4622082826
SUPER 1900-2, SUPER 2100-2	0719	0010 - 9999	2057944	2057944
SUPER 1900-3 (i), SUPER 2100-3 (i)	0819	0010 - 9999	2057944	2057944
SUPER 2100-2 IP	0719	0727 - 9999	2057944	2057944
SUPER 2500	0674	0010 - 9999	2026049	2026049
SUPER 3000-2	0874	0010 - 9999	2164930	2164930
VISION 5100-2	1382	0010 - 9999	4622082829	4622082829
VISION 5103-2	0983	0010 - 9999	2087424	2087424
VISION 5200-2	0774	0010 - 9999	4622082826	4622082826
VISION 5200-2 (i)	0974	0010 - 9999	4622082826	4622082826
VISION 5203-2	0775	0010 - 9999	4622082826	4622082826
VISION 5203-2 (i)	0875	0010 - 9999	4622082826	4622082826

# ORIGINAL VÖGELE SERVICE PACKAGES FOR AUGER BLADES

Our service package, tailored to your augers in basic screed width, includes a set of auger blades complete with bolts and nuts. In other words, all you need for complete or partial exchange.



- A Auger blade left and right
- B Paddle for exterior
- C Mounting material

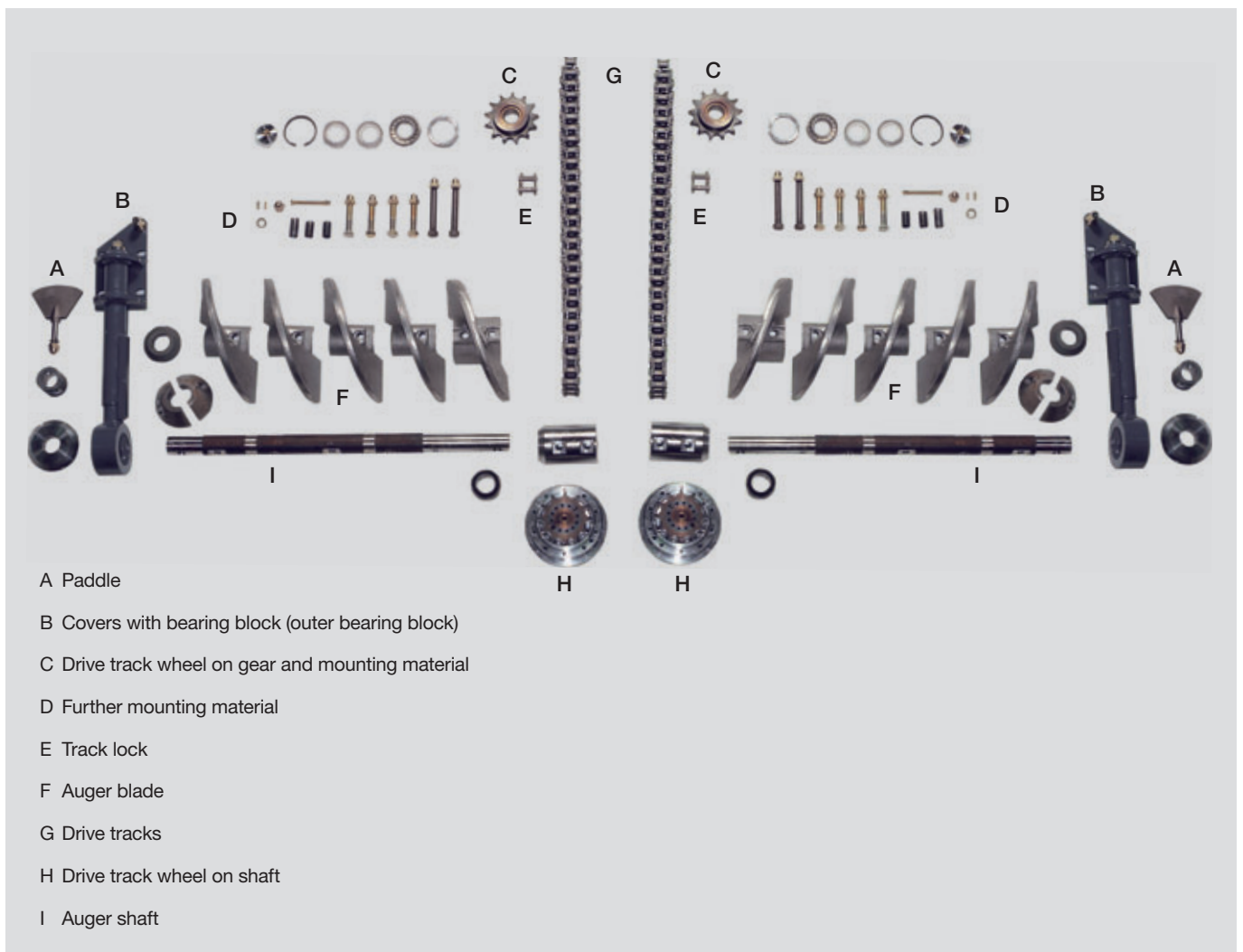


Close to  
our customers

Machine type	Model	Series range	Part No.
SUPER 600, SUPER 700, SUPER 800	0790	0010 - 9999	2178498 (left)
			2178495 (right)
SUPER 1400	0612	0010 - 9999	2013193
SUPER 1402	0611	0010 - 9999	2013193
SUPER 1500	0670	0010 - 9999	2013194
SUPER 1502	0671	0010 - 9999	2013194
SUPER 1600	0672	0010 - 0133	2013194
		0134 - 9999	2013195
	0682	0010 - 9999	2013195
SUPER 1600-1, SUPER 1800-1	0782	0010 - 9999	2013195
SUPER 1600-1 EP, SUPER 1800-1 EP	0982	0010 - 9999	2013195
SUPER 1600-2, SUPER 1800-2 (SJ)	1182	0010 - 9999	2013195
SUPER 1600-3 (i)	1582	0010 - 9999	2013195
SUPER 1603	0673	0010 - 9999	2013194
	0683	0010 - 9999	2013195
SUPER 1603-1, SUPER 1803-1	0783	0010 - 9999	2013195
SUPER 1603-2, SUPER 1803-2	0883	0010 - 9999	2013195
SUPER 1603-3 (i)	1183	0010 - 9999	2013195
SUPER 1800	0668	0010 - 0375	2013194
		0376 - 9999	2013195
SUPER 1800-3 (i)	1482	0010 - 9999	2355876
SUPER 1803-3 (i)	1083	0010 - 9999	2355876
SUPER 1804	0669	0010 - 9999	2013194
SUPER 1900	0619	0010 - 9999	2013196
SUPER 1900-2	0719	0010 - 9999	2013196
SUPER 1900-3 (i)	0819	0010 - 9999	2013196
SUPER 2100	0619	0010 - 9999	2013197
SUPER 2100-2, SUPER 2100-2 IP	0719	0010 - 9999	2013197
SUPER 2100-2	0919	0010 - 9999	2013197
SUPER 2100-3 (i)	0819	0010 - 9999	2013197
SUPER 2100-3 HD (i)	0819	0010 - 9999	2271756
SUPER 2500	0674	0010 - 9999	2013198
SUPER 3000-2	0874	0010 - 9999	2164933
SUPER 3000-2 HD	0874	0010 - 9999	2342656
VISION 5100-2	1382	0010 - 9999	2013195
VISION 5103-2	0983	0010 - 9999	2013195
VISION 5200-2	0774	0010 - 9999	2091414
VISION 5203-2	0775	0010 - 9999	2091414
VISION 5203-2 (i)	0875	0010 - 9999	2091414

# ORIGINAL VÖGELE SERVICE PACKAGES FOR AUGERS

The service package includes all parts you need for your augers in basic screed width: from auger shafts and auger blades through to bearings, drive chains and chain wheels. In other words, all you need for complete or partial exchange of your augers.





Close to  
our customers

Machine type	Model	Series range	Part No.
SUPER 600, SUPER 700, SUPER 800	0790	0010 - 0014	2211984
		0015 - 9999	2198659
SUPER 1100-2, SUPER 1300-2	0811	0010 - 9999	2204813
SUPER 1100-3 (i), SUPER 1300-3 (i)	1011	0010 - 9999	2356555
SUPER 1103-2, SUPER 1303-2	0911	0010 - 9999	2198699
SUPER 1103-3 (i), SUPER 1303-3 (i)	1111	0010 - 9999	2356555
SUPER 1400	0612	0010 - 9999	461750080
SUPER 1402	0611	0010 - 0026	461750081
		0027 - 9999	461750080
		0010 - 0062	461750082
SUPER 1500	0670	0063 - 0131	461750083
		0132 - 9999	461750084
		0010 - 0090	461750082
SUPER 1502	0671	0091 - 0251	461750083
		0252 - 9999	461750084
		0010 - 0083	461750082
SUPER 1600	0672	0084 - 0133	461750083
		0134 - 9999	461750085
		0010 - 9999	461750086
SUPER 1600-1	0782	0010 - 0118	2013189
SUPER 1600-1 EP	0982	0119 - 9999	2032089
SUPER 1600-2	1182	0010 - 9999	2032089
SUPER 1600-3 (i)	1582	0010 - 9999	2204847
SUPER 1603	0673	0010 - 9999	2368969
	0683	0010 - 9999	461750084
SUPER 1603-1, SUPER 1803-1	0783	0010 - 0113	461750086
		0114 - 9999	2013189
SUPER 1603-2, SUPER 1803-2	0883	0010 - 9999	2032089
SUPER 1603-3 (i)	1183	0010 - 9999	2204847
SUPER 1800	0668	0010 - 0240	2368969
		0241 - 0375	461750087
		0376 - 9999	461750088
SUPER 1800-1	0782	0010 - 0118	461750085
		0119 - 9999	2146796
SUPER 1800-1 EP	0982	0010 - 9999	2091731
SUPER 1800-2 (SJ)	1182	0010 - 9999	2091731
SUPER 1800-3 (i)	1482	0010 - 9999	2198422
SUPER 1803-3 (i)	1083	0010 - 9999	2355964
SUPER 1804	0669	0010 - 0100	2355964
		0101 - 0298	461750087
		0299 - 9999	461750088
SUPER 1900	0619	0010 - 0525	461750089
		0526 - 9999	461750097
SUPER 1900-2	0719	0010 - 9999	2013206
SUPER 1900-3 (i)	0819	0010 - 9999	2198311
SUPER 2100	0619	0010 - 0525	2269380
		0526 - 9999	461750098
SUPER 2100-2	0719	0010 - 9999	2013207
SUPER 2100-2 IP	0719	0010 - 9999	2198287
SUPER 2100-3 (i)	0819	0727 - 9999	2198287
SUPER 2100-3 HD (i)	0819	0010 - 9999	2269382
SUPER 2500	0674	0010 - 9999	2271754
SUPER 3000-2	0874	0010 - 9999	461750092
SUPER 3000-2 HD	0874	0010 - 9999	2164964
VISION 5100-2	1382	0010 - 9999	2342644
VISION 5103-2	0983	0010 - 9999	2172217
VISION 5200-2	0774	0010 - 9999	2172217
VISION 5200-2 (i)	0974	0010 - 9999	2091796
VISION 5203-2	0775	0010 - 9999	2091796
VISION 5203-2 (i)	0875	0010 - 9999	2091796



# ORIGINAL VÖGELE SENSORS FOR FEED OF MIX OF THE AUGERS

For auger drives, proportional control is provided. When working in automatic mode, speeds of augers are precisely controlled to match the current laydown rate. The level of mix is picked up as standard by mechanical sensors.

- Sensors for augers are located in the auger tunnel at the extreme ends of the screed.
- Actual values picked up by the sensors are passed on continuously to regulate auger drives.
- Proportional control is provided for the separate drives (left and right sides), i.e. speeds of augers adapt automatically to the actual levels of mix.
- This ensures uniform spreading of the mix in front of the screed.
- The use of sensors is easy on your drives and economical.

For pick-up of actual values, sonic sensors are available as an option:

- Level of mix picked up more accurately by sonic technology.
- Non-contacting operation, thus no wear.



Machine type	Model	Series range	Mechanical sensor		Ultrasonic sensor		
			left	right	left	right	Spiral cable
SUPER BOY	0690	0010 - 9999	3515042841	3515042840			
SUPER 600, SUPER 800	0790	0010 - 9999	2028964	2028964	2013495	2013495	2035353
SUPER 1100-2, SUPER 1300-2	0811	0010 - 9999	2042420	2042420	2013496	2013496	2028733
SUPER 1100-3 (i), SUPER 1300-3 (i)	1011	0010 - 9999	2042420 2319502	2042420 2319504	2013496	2013496	2028733
SUPER 1103-2, SUPER 1303-2	0911	0010 - 9999	2042420	2042420	2013496	2013496	2028733
SUPER 1103-3 (i), SUPER 1303-3 (i)	1111	0010 - 9999	2042420 2319502	2042420 2319504	2013496	2013496	2028733
SUPER 1400	0612	0010 - 9999	2454130025	2454130026	2454130057	2454130057	2460770063
SUPER 1402	0611	0010 - 9999	2454130025	2454130026	2454130057	2454130057	2460770063
SUPER 1500	0670	0010 - 9999	2454130025	2454130026			
SUPER 1502	0671	0000 - 9999	2454130025	2454130026			
SUPER 1600	0672, 0682	0010 - 9999	2454130025	2454130026	2454130057	2454130057	2460770063
SUPER 1600-1, SUPER 1800-1	0782	0010 - 0302 0303 - 9999	2454130070 2454130070	2454130071 2454130071	2454130067 2013496	2454130067 2013496	2460770070 2460770070
SUPER 1600-1 EP, SUPER 1800-1 EP	0982	0010 - 9999	2032512	2032513	2013496	2013496	2028733
SUPER 1600-2, SUPER 1800-2 (SJ)	1182	0010 - 9999	2032512	2032513	2013496	2013496	2028733
SUPER 1600-3 (i)	1582	0010 - 9999	2032512	2032513	2298153	2298153	2284323
SUPER 1603	0673, 0683	0010 - 9999	2454130025	2454130026	2454130057	2454130057	2460770063
SUPER 1603-1, SUPER 1803-1	0783	0010 - 0238 0239 - 9999	2454130070 2454130070	2454130071 2454130071	2454130067 2013496	2454130067 2013496	2460770070 2460770070
SUPER 1603-2, SUPER 1803-2	0883	0010 - 9999	2032512	2032513	2013496	2013496	2028733
SUPER 1603-3 (i)	1183	0010 - 9999	2032512	2032513	2298153	2298153	2284323
SUPER 1800	0668	0010 - 9999	2454130025	2454130026	2454130057	2454130057	2460770063
SUPER 1800-3 (i)	1482	0010 - 9999	2032512	2032513	2298153	2298153	2284323
SUPER 1803-3 (i)	1083	0010 - 9999	2032512	2032513	2298153	2298153	2284323
SUPER 1804	0669	0010 - 9999	2454130025	2454130026	2454130057	2454130057	2460770063
SUPER 1900, SUPER 2100	0619	0010 - 0994 0995 - 9999	2454130070 2454130070	2454130071 2454130071	2454130067 2013496	2454130067 2013496	2460770070 2460770070
SUPER 1900-2, SUPER 2100-2	0719	0010 - 9999	2032512	2032513	2013496	2013496	2028733
SUPER 1900-3 (i)	0819	0010 - 9999	2032512	2032513	2298153	2298153	2284323
SUPER 2100-2 IP	0719	0727 - 9999	2032512	2032513	2013496	2013496	2028733
SUPER 2100-3 (i)	0819	0010 - 9999	2032512	2032513	2298153	2298153	2284323
SUPER 2500	0674	0010 - 9999	2454130070	2454130071	2454130067	2454130067	2460770070
SUPER 3000-2	0874	0010 - 9999	2032512	2032513	2013496	2013496	2028733
VISION 5100-2	1382	0010 - 0080 0081 - 9999			2069210 2184523	2069210 2184523	2028733 2028733
VISION 5103-2	0983	0010 - 0054 0055 - 9999			2069210 2184523	2069210 2184523	2028733 2028733
VISION 5200-2	0774	0010 - 0117 0118 - 9999			2069210 2184523	2069210 2184523	2028733 2028733
VISION 5200-2 (i)	0974	0010 - 9999			2184523	2184523	2028733
VISION 5203-2	0775	0010 - 0149 0150 - 9999			2069210 2184523	2069210 2184523	2028733 2028733
VISION 5203-2 (i)	0875	0010 - 9999			2184523	2184523	2028733

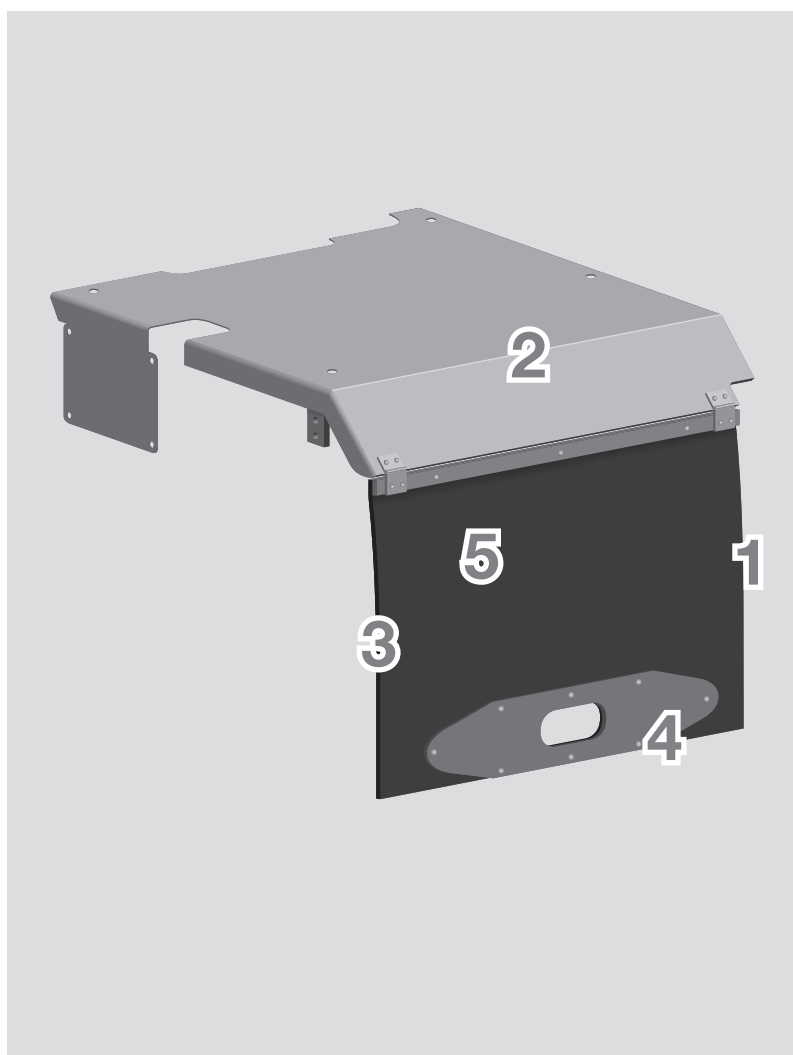
# ORIGINAL VÖGELE COVER RUBBERS FOR SCREEDS

The Original Vögele cover rubbers are available for every paver type. The covers are designed so that they ensure optimum protection against every type of soiling of the screed components (e.g. chains and sprockets for the fine adjustment of the screed).

This also ensures that the time requirement for the maintenance of these components is reduced to a minimum.



- 1** The entire rubber cover protects the machine operator from accidents the best way.
- 2** The cover prevents dirt from entering the screed area.
- 3** The thickness of the rubber covers minimises the noise level considerably.
- 4** Depending on the screed type, the steel strut reinforces the protective strip.
- 5** Optionally, cat's eyes can minimise the risk of accidents through better visibility on the cover.



Screed type	Model	Series range	right	middle	left	Offset right	Offset left
AB 340 V, TV	13AB	0010 - 9999	2061052	2062043	2061052	2061044	2061044
AB 340-3	27AB	0010 - 9999	2288003		2288003	2241887	2241885
AB 475 TV	03AB	0010 - 9999	4601350063		4601350042		
AB 475 TP1	04AB	0010 - 9999	4601350063		4601350042		
AB 475 TP2	05AB	0010 - 9999	4601350082		4601350081		
AB 500 TV, TP	10AB	0010 - 0022	4601350102		4601350101		
		0023 - 0125	4601350156		4601350155		
		0126 - 9999	4601350156		4601350155	4601350188	4601350187
AB 500-2 TV	14AB	0010 - 9999	2038479		2038478		
AB 500-2 TP	15AB	0010 - 9999	2038479		2038478		
AB 500-3 TV	23AB	0010 - 9999	2278337		2278336		
AB 500-3 TP	24AB	0010 - 9999	2278337		2278336		
AB 575 TV	06AB	0010 - 9999	4601350082		4601350081		
AB 575 TP2	07AB	0010 - 9999	4601350082		4601350081		
AB 600 TV, TP	11AB	0010 - 9999	2002517		2002516		
AB 600-2 TV	16AB	0010 - 9999	2061004		2060987		
AB 600-2 TP	17AB	0010 - 9999	2061004		2060987		
AB 600-3 TV	25AB	0010 - 9999	2278648		2278635		
AB 600-3 TP	26AB	0010 - 9999	2278648		2278635		
VF 500-2 V	18AB	0010 - 9999	2180735		2180732		
VF 600-2 V	19AB	0010 - 9999	2223213		2223210		
VR 600-2 V	20AB	0010 - 9999	2218031		2218027		
SB 250	02SB	0010 - 9999	4601350147		4601350146		
SB 250-2	05SB	0010 - 9999	4601350147		4601350146		
SB 300	03SB	0010 - 9999	4601350147		4601350146		
SB 300-2	06SB	0010 - 9999	4601350145		4601350144		

# ORIGINAL VÖGELE TAMPER SHIELDS AND SPRING STEEL STRIPS FOR SCREEDS

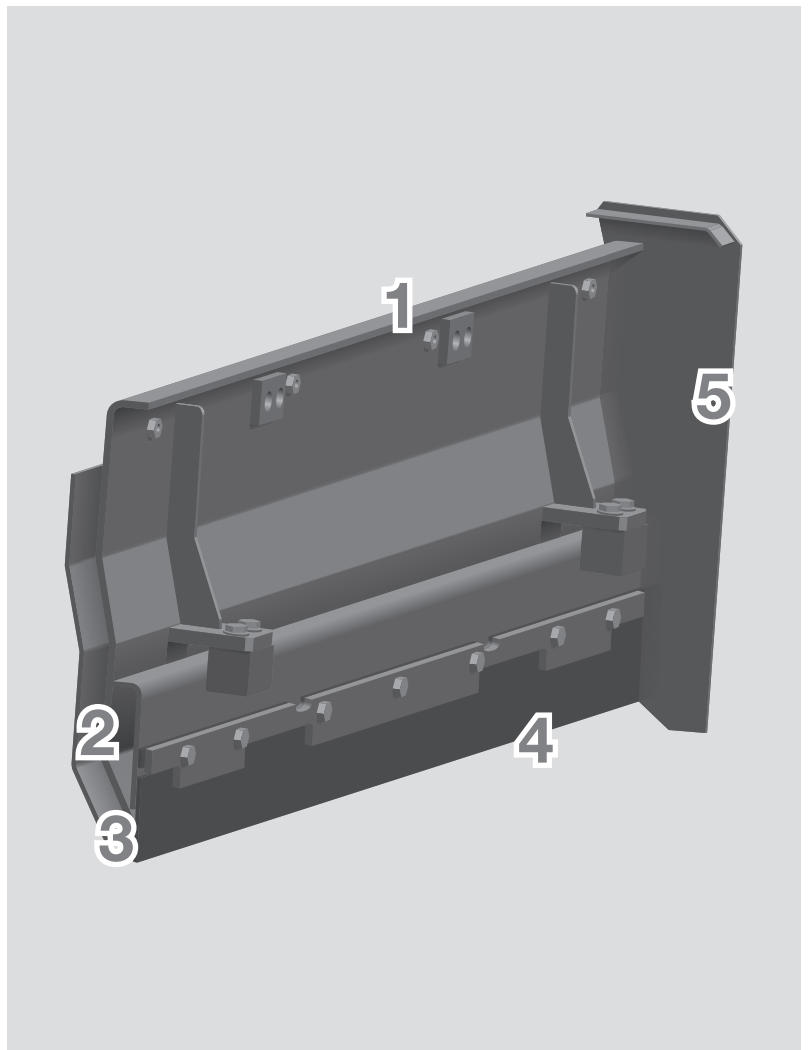


The tamper shields are designed to direct the mix under the screed. By the mix in the auger tunnel, high forces are exerted on the screed. Therefore, highest demands are made on the tamper shields in terms of resistance to wear and rigidity. Vögele tamper shields perfectly meet these demands.

The spring steel strips – which can of course be changed separately – have the task of elastically sealing the tamper bar against the tamper shield.



- 1** The tamper shield guides the mix perfectly under the screed due to its form-fit.
- 2** Depending on the tamper shield the material feed changes.
- 3** The spring steel strip seals the front wall to the tamper bar as good as possible, and thus prevents the ingress of the material to be mixed.
- 4** With its high-quality materials, the spring steel strip provides a long service life.
- 5** Replacing the entire tamper shields works faster than the respective individual parts.





# ORIGINAL VÖGELE TAMPER SHIELDS AND SPRING STEEL STRIPS FOR BASIC AND EXTENDING SCREEDS



Screed type	Model	Series range	Designation	Basic screed		Extending screed	
				left	right	left	right
AB 200 V	12AB	0010 - 0546	Tamper shield	2024451	2024496	2024387	2024401
		0547 - 9999	Tamper shield	2060051	2060054	2060032	2060045
AB 200 TV	12AB	0010 - 0331	Tamper shield complete*	2024057	2024194	2023966	2023994
			Spring steel strip	2024039	2024189	2023957	2023957
		0332 - 9999	Tamper shield complete*	2049967	2049969	2023966	2023994
			Spring steel strip	2024039	2024189	2023957	2023957
AB 340 V	13AB	0010 - 9999	Tamper shield	2060956	2060954	2060856	2060837
AB 340 TV	13AB	0010 - 9999	Tamper shield complete*	2044090	2044112	2044030	2044057
			Spring steel strip	2044084	2044106	2044026	2044026
AB 340-3 V	27AB	0010 - 9999	Tamper shield complete*	2095330	2095343	2095354	2095363
AB 340-3 TV	27AB	0010 - 9999	Tamper shield complete*	2235893	2236062	2236151	2236392
			Spring steel strip	2044084	2044106	2044026	2044026
AB 475 TV, AB 475 TP1, AB 475 TP2	03AB, 04AB, 05AB	0010 - 9999	Tamper shield complete*	2009381	2009382	2009383	2009384
			Spring steel strip	4615106583	4615106583	4615106629	4615106629
AB 500	10AB	0010 - 9999	Tamper shield complete*	4621300001	4621300002	4621300003	4621300004
			Spring steel strip	4615106688	4615106688	4615106688	4615106688
AB 500-2	14AB, 15AB	0010 - 9999	Tamper shield complete*	2037329	2037330	2037331	2037332
			Spring steel strip	2027338	2027338	2027338	2027338
AB 500-3	23AB, 24AB	0010 - 9999	Tamper shield complete*	2037329	2037330	2037331	2037332
			Spring steel strip	2027338	2027338	2027338	2027338
AB 575 TV, AB 575 TP2	06AB, 07AB	0010 - 9999	Tamper shield complete*	2009385	2009386	2009387	2009388
			Spring steel strip	4615106651	4615106651	4615106631	4615106631
AB 600	11AB	0010 - 9999	Tamper shield complete*	4621300007	4621300008	4621300009	4621300010
			Spring steel strip	4615106730	4615106730	4615106730	4615106730
AB 600-2	16AB, 17AB	0010 - 9999	Tamper shield complete*	2051960	2052156	2052239	2052261
			Spring steel strip	2052396	2052396	2052396	2052396
AB 600-3	25AB, 26AB	0010 - 9999	Tamper shield complete*	2051960	2052156	2052239	2052261
			Spring steel strip	2052396	2052396	2052396	2052396
VR 600-2 V	18AB	0010 - 9999	Tamper shield no berme	2128686	2128690	2123232	2127228
VF 500-2 V	19AB	0010 - 9999	Tamper shield no berme	2180975	2180930	2181087	2181090
VF 600-2 V	20AB	0010 - 9999	Tamper shield no berme	2144092	2143326	2148567	2148545
SB 250	02SB	0010 - 0275	Tamper shield	4602433581	4602433582		
		0276 - 0436	Tamper shield	4602434552	4602434553		
		0437 - 9999	Tamper shield complete*	2009720	2009721		
			Spring steel strip	4615106722	4615106722		
SB 250-2	05SB	0010 - 9999	Tamper shield complete*	2124064	2124367		
			Spring steel strip	2123414	2123414		
SB 300	03SB	0010 - 0331	Tamper shield	4602433054	4602433055		
		0332 - 0403	Tamper shield	4602434557	4602434558		
		0404 - 9999	Tamper shield complete*	2009722	2009723		
			Spring steel strip	2000202	2000202		
SB 300-2	06SB	0010 - 9999	Tamper shield complete*	2124565	2124916		
			Spring steel strip	2123526	2123526		

\* Tamper shield complete includes the steel strip

# ORIGINAL VÖGELE TAMPER SHIELDS AND SPRING STEEL STRIPS FOR BOLT-ON EXTENSIONS

Screed type	Model	Series range	Bolt-on extension (m)	Designation	left	right
AB 200 V	12AB	0010 - 0546	0.35	Tamper shield	2028413	2028521
		0547 - 9999			2060000	2060027
		0010 - 9999	0.60	Tamper shield	2059991	2059988
AB 200 TV	12AB	0010 - 9999	0.35	Tamper shield complete*	2028280	2028493
				Spring steel strip	2028278	2028278
			0.60	Tamper shield complete*	2030895	2030910
				Spring steel strip	2030896	2030896
AB 340 V	13AB	0010 - 9999	0.40	Tamper shield	2060871	2060864
AB 340 TV	13AB	0010 - 9999	0.40	Tamper shield complete*	2051297	2051343
				Spring steel strip	2051294	2051294
			0.55	Tamper shield complete*	2047537	2047885
				Spring steel strip	2047521	2047521
AB 340-3 V	27AB	0010 - 9999	0.25 V	Tamper shield complete*	2183885	2183889
			0.40	Tamper shield complete*	2135058	2135172
AB 340-3 TV	27AB	0010 - 9999	0.25 T	Tamper shield complete*	2158539	2158763
			0.55	Tamper shield complete*	2047572	2047885
				Spring steel strip	2047521	2047521
			0.80	Tamper shield complete*	2066902	2067040
				Spring steel strip	2066900	2066900
AB 475, AB 575	03AB, 04AB	0010 - 9999	0.25	Tamper shield complete*	2009551	2009552
				Spring steel strip	4615106598	4615106598
	05AB, 06AB	0010 - 9999	0.625	Tamper shield complete*	2009554	2009554
				Spring steel strip	4615106632	4615106632
	07AB	0010 - 9999	0.875	Tamper shield complete*	2009556	2009556
				Spring steel strip	4615106633	4615106633
			1.125	Tamper shield complete*	2009557	2009557
				Spring steel strip	4615106634	4615106634
			1.375	Tamper shield complete*	2009558	2009558
				Spring steel strip	4615106635	4615106635
AB 500, AB 600	10AB, 11AB	0010 - 9999	0.225	Tamper shield complete*	4621300006	4621300006
				Spring steel strip	4615106726	4615106726
			0.75	Tamper shield complete*	4621300005	4621300005
				Spring steel strip	4615106692	4615106692
			1.25	Tamper shield complete*	4621300011	4621300011
				Spring steel strip	4615106734	4615106734
AB 500-2, AB 600-2	14AB, 15AB, 16AB, 17AB	0010 - 9999	0.25	Tamper shield complete*	2041072	2041073
				Spring steel strip	2041081	2041081
			0.75	Tamper shield complete*	2043402	2043403
				Spring steel strip	2038330	2038330
			1.25	Tamper shield complete*	2038065	2038065
				Spring steel strip	2038077	2038077
AB 500-3, AB 600-3	23AB, 24AB, 25AB, 26AB	0010 - 9999	0.25	Tamper shield complete*	2041072	2041073
				Spring steel strip	2041081	2041081
			0.75	Tamper shield complete*	2043402	2043403
				Spring steel strip	2038330	2038330
			1.25	Tamper shield complete*	2038065	2038065
				Spring steel strip	2038077	2038077
VR 600-2 V	18AB	0010 - 9999	0.65	Tamper shield	2124827	2126821
VF 500-2 V	19AB	0010 - 9999	0.305	Tamper shield	2169597	2169597
			0.61	Tamper shield	2171347	2171347
VF 600-2 V	20AB	0010 - 9999	0.305	Tamper shield	2169597	2169597
			0.61	Tamper shield	2171347	2171347

\* Tamper shield complete includes the steel strip

Screed type	Model	Series range	Bolt-on extension (m)	Designation	left	right		
SB 250	02SB	0010 - 0275 0276 - 0436 0437 - 9999	0.25	Tamper shield	4602433265	4602433266		
				Tamper shield	4602434535	4602434536		
				Tamper shield complete*	2009724	2009727		
		0010 - 0275 0276 - 0436 0437 - 9999	0.50	Tamper shield	4615106598	4615106598		
				Tamper shield	4602433075	4602433075		
				Tamper shield	4602434561	4602434561		
		0276 - 0436 0437 - 9999	0.75 (extensible)	Tamper shield complete*	2009728	2009728		
				Spring steel strip	4615106600	4615106600		
				Tamper shield	4602432889	4602432890		
		0437 - 9999	1.00	Tamper shield complete*	2009731	2009732		
				Spring steel strip	4615106711	4615106711		
				Tamper shield	4602433076	4602433076		
		0010 - 0275 0276 - 0436 0437 - 9999	1.50	Tamper shield	4602434560	4602434560		
				Tamper shield complete*	2009729	2009729		
				Spring steel strip	2000269	2000269		
0010 - 0275 0276 - 0436 0437 - 9999	1.50	Tamper shield	4602433077	4602433077				
		Tamper shield	4602434559	4602434559				
		Tamper shield complete*	2009730	2009730				
SB 250-2	05SB	0010 - 9999	0.25	Spring steel strip	2000295	2000295		
				Tamper shield complete*	2125428	2125557		
			0.50	Spring steel strip	2123464	2123464		
				Tamper shield complete*	2125358	2125358		
			0.75 (extensible)	Spring steel strip	2123476	2123476		
				Tamper shield complete*	2126020	2126211		
		1.00	Spring steel strip	2123654	2123654			
			Tamper shield complete*	2125276	2125276			
			Spring steel strip	2123488	2123488			
		1.50	Tamper shield complete*	2125066	2125066			
			Spring steel strip	2123516	2123516			
			Tamper shield	4602433265	4602433266			
		SB 300	03SB	0010 - 0331 0332 - 0403 0404 - 9999	0.25	Tamper shield	4602434535	4602434536
						Tamper shield complete*	2009724	2009727
						Spring steel strip	4615106598	4615106598
0010 - 0331 0332 - 0403 0404 - 9999	0.50			Tamper shield	4602433075	4602433075		
				Tamper shield	4602434561	4602434561		
				Tamper shield complete*	2009728	2009728		
0332 - 0403 0404 - 9999	0.75 (extensible)			Spring steel strip	4615106600	4615106600		
				Tamper shield	4602432889	4602432890		
				Tamper shield complete*	2009731	2009732		
0010 - 0331 0332 - 0403 0404 - 9999	1.00			Spring steel strip	4615106711	4615106711		
				Tamper shield	4602433076	4602433076		
				Tamper shield	4602434560	4602434560		
0010 - 0331 0332 - 0403 0404 - 9999	1.50			Tamper shield complete*	2009729	2009729		
				Spring steel strip	2000269	2000269		
				Tamper shield	4602433077	4602433077		
0010 - 0331 0332 - 0403 0404 - 9999	1.50	Tamper shield	4602434559	4602434559				
		Tamper shield complete*	2009730	2009730				
		Spring steel strip	2000295	2000295				
SB 300-2	06SB	0010 - 9999	0.25	Tamper shield complete*	2125428	2125557		
				Spring steel strip	2123464	2123464		
			0.50	Tamper shield complete*	2125358	2125358		
				Spring steel strip	2123476	2123476		
			0.75 (extensible)	Tamper shield complete*	2126020	2126211		
				Spring steel strip	2123654	2123654		
		1.00	Tamper shield complete*	2125276	2125276			
			Spring steel strip	2123488	2123488			
			Tamper shield complete*	2125066	2125066			
		1.50	Spring steel strip	2123516	2123516			

\* Tamper shield complete includes the steel strip

# ORIGINAL VÖGELE TAMPER BARS

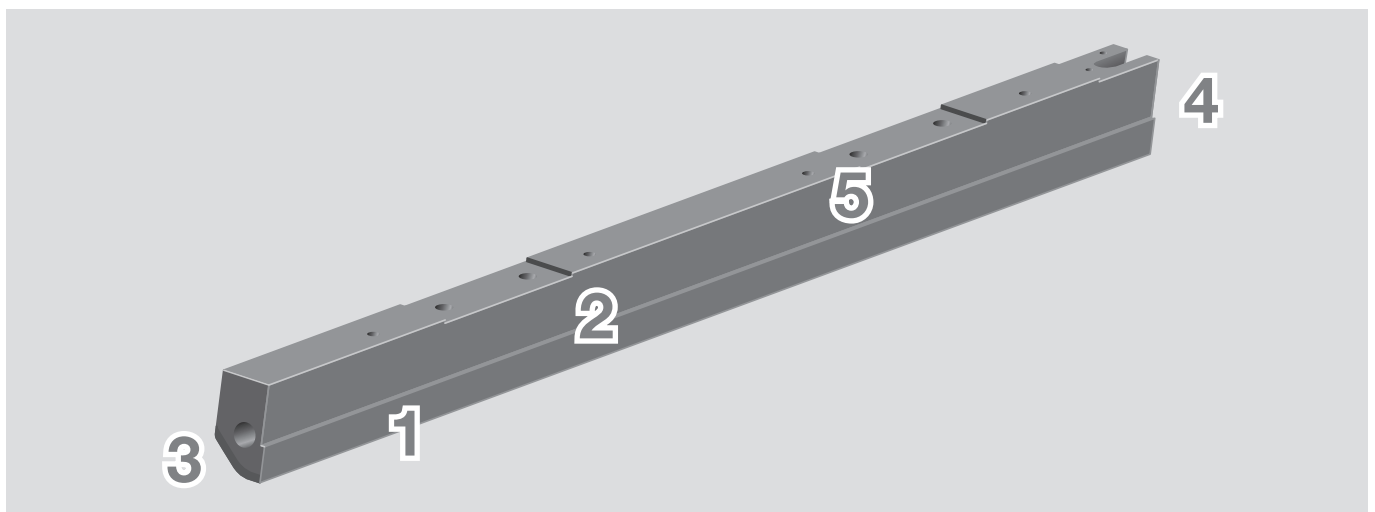
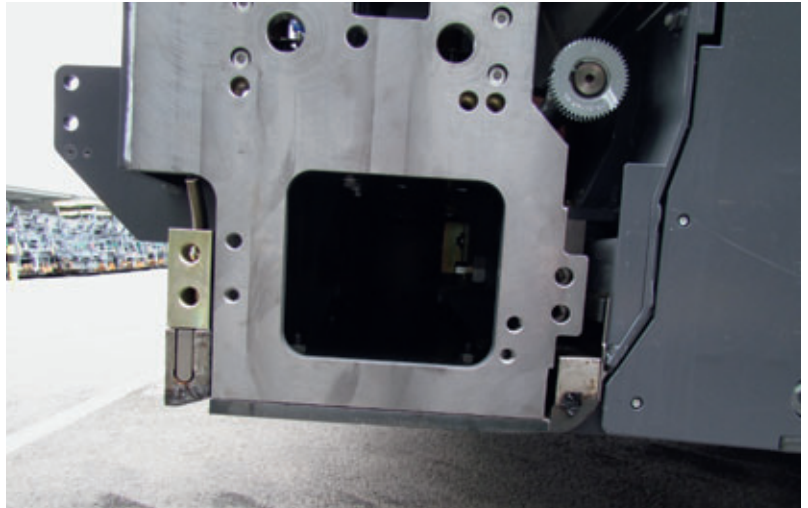


Close to  
our customers

Vögele tamper bars are made of a highly wear-resistant steel alloy for a long service life of these components subject to severe strain.

Tamper bars come with heating rods installed inside. This guarantees uniform heating of the bars across the full pave width.

Thanks to bevelled edges, tamper bars are designed for universal use. They always ensure that mix is perfectly packed under the screed and optimum compaction is achieved. Induction hardening of Vögele tamper bars provides for large hardening depth and uniform hardening over the bar's full length.



- 1** On the tamper bar, **the induction hardening process** ensures a high hardening depth.
- 2** **The highly wear-resistant alloy steel** ensures a long service life.
- 3** **The bevelled front edge** enhances the uniform material feed and perfects the compaction.
- 4** **The heating rod** allows for optimal heating of the bar and is safely located in the bore of the tamper bar.
- 5** In manufacturing, an **exact fit and high form** accuracy are paramount.

# ORIGINAL VÖGELE TAMPER BARS FOR BASIC AND EXTENDING SCREEDS



Screed type	Model	Series range	Tamper bar basic screed		Tamper bar extending screed	
			left	right	left	right
AB 200 TV	12AB	0010 - 0289	2014805	2014805	2020273	2020273
		0290 - 9999	2049732	2049732	2020273	2020273
AB 340 TV	13AB	0010 - 9999	2043707	2043707	2043892	2043892
AB 340-3 TV	27AB	0010 - 9999	2234960	2234960	2235761	2235761
AB 475 TV	03AB	0010 - 0817	4611353180	4611353181	4611352131	4611352130
		1102 - 9999	4611352122	4611352123	4611352131	4611352130
AB 475 TP	old	0100 - 0140	4611353180	4611353181	4611352131	4611352130
	04AB	0010 - 0072				
AB 475 TP	old	0010 - 0025	4611353180	4611353181	4611352131	4611352130
	05AB	4001 - 9999	4611352122	4611352123	4611352131	4611352130
AB 500 TV, TP	10AB	0010 - 9999	2003833	2003834	2003835	2003836
AB 500-2 TV, TP	14AB, 15AB	0010 - 9999	2003833	2003834	2003835	2003836
			2202733*	2202847*	2202970*	2203022*
AB 500-3 TV, TP	23AB, 24AB	0010 - 9999	2202733	2202847	2202970	2203022
AB 575 TV	old	0010 - 1314	4611352214	4611352216	4611352215	4611352217
	06AB	0010 - 9999	4611353499	4611353500	4611352215	4611352217
AB 575 TP	07AB	0010 - 0206	4611353499	4611353500	4611352215	4611352217
	old	5001 - 9999	4611352214	4611352216	4611352215	4611352217
AB 600 TV, TP	11AB	0010 - 9999	2003841	2003842	2003843	2003844
AB 600-2 TV, TP	16AB, 17AB	0010 - 9999	2003841	2003842	2003843	2003844
			2203109*	2203136*	2203171*	2203200*
AB 600-3 TV, TP	25AB, 26AB	0010 - 9999	2203109	2203136	2203171	2203200
SB 250 TV, TP	02SB	0010 - 9999	4611353204	4611353205		
SB 250-2 TV, TP	05SB	0010 - 9999	4611353204	4611353205		
SB 300 TV, TP	03SB	0010 - 9999	4611353073	4611353074		
SB 300-2 TV, TP	06SB	0010 - 9999	4611353073	4611353074		

\* When switching to -3 screeds: replace the wear strips





# ORIGINAL VÖGELE TAMPER BARS FOR BOLT-ON EXTENSIONS

Screed type	Model	Series range	Bolt-on extension (m)	Tamper bar	
				left	right
AB 200 TV	12AB	0010 - 9999	0.35	2028210	2028210
			0.60	2030843	2030843
AB 340 TV	13AB	0010 - 9999	0.40	2051125	2051125
			0.55	2046991	2046991
AB 340-3 TV	27AB	0010 - 9999	0.25	2259636	2260205
			0.55	2255578	2255578
			0.80	2254820	2254820
AB 475 TV, TP, AB 575 TV, TP	03AB, 04AB, 05AB, 06AB, 07AB	0010 - 9999	0.25	4611352947	4611352948
			0.625	4611352134	4611352132
			0.875	4611352183	4611352184
			1.125	4611352205	4611352206
			1.375	4611352211	4611352210
AB 500 TV, TP AB 600 TV, TP	10AB, 11AB	0010 - 9999	0.225	4611353675	4611353676
			0.75	2003847	2003848
			1.25	2003851	2003852
AB 500-2 TV, TP	14AB, 15AB	0010 - 9999	0.25	2247041	2247043
			0.75	2246755	2246761
			1.25	2246446	2246448
AB 600-2 TV, TP	16AB, 17AB	0010 - 9999	0.25	2247041	2247043
			0.75	2246755	2246761
			1.25	2246446	2246448
AB 500-3 TV, TP, AB 600-3 TV, TP	23AB, 24AB, 25AB, 26AB	0010 - 9999	0.25	2247041	2247043
			0.75	2246755	2246761
			1.25	2246446	2246448
SB 250, SB 300	02SB, 03SB	0010 - 9999	0.25	4611352947	4611352948
			0.50	4611352326	4611352327
			0.75 (extensible)	4611352996	4611352997
			1.00	4611352549	4611352550
			1.50	4611353094	4611353095
SB 250-2, SB 300-2	05SB, 06SB	0010 - 9999	0.25	4611352947	4611352948
			0.50	4611352326	4611352327
			0.75 (extensible)	4611352996	4611352997
			1.00	4611352549	4611352550
			1.50	4611353094	4611353095



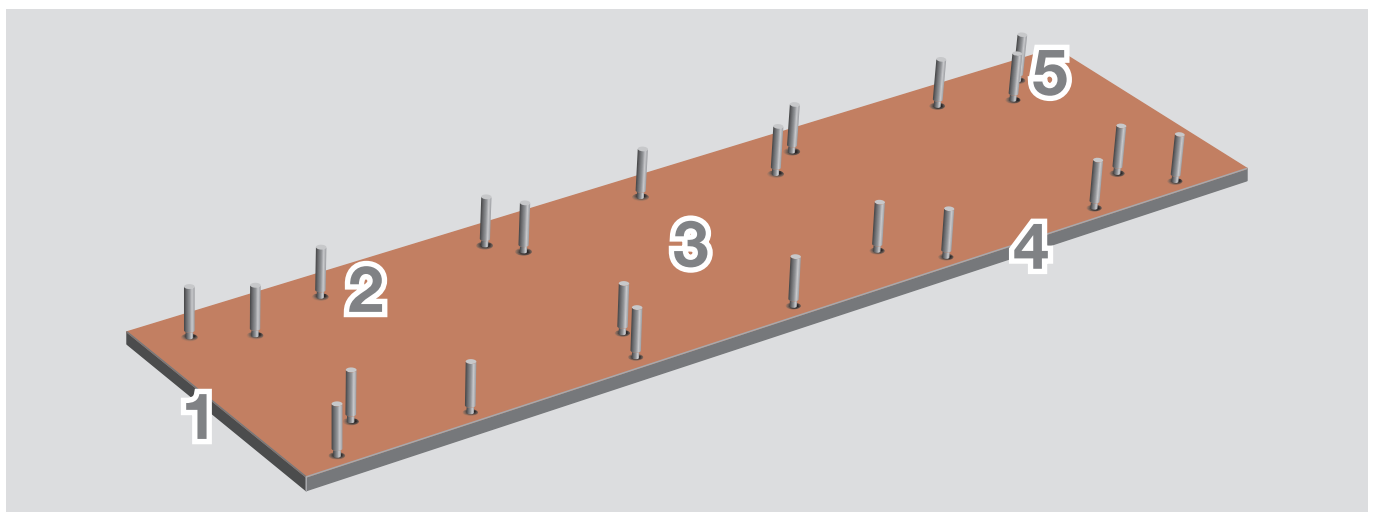
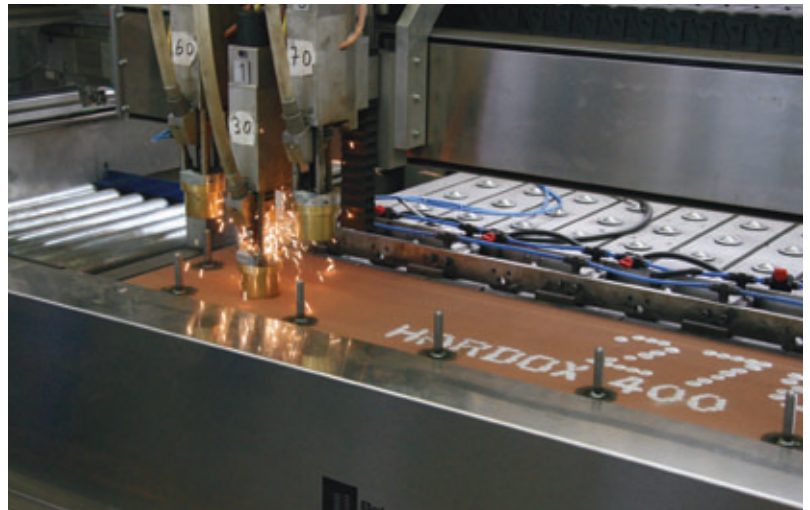
# ORIGINAL VÖGELE SCREED PLATES



Close to  
our customers

The screed plates are designed to wear down evenly. The use of highly wear-resistant steel for manufacture prolongs the screed plates' service lives, thus enhancing your paver's readiness for service.

Vögele screed plates are attached to the screed frame by sturdy welded bolts.



- 1** **Setting angle of the screed plate edges** influences the compaction, surface structure and the screed floating behaviour.
- 2** **The micro-encapsulated nuts** and the expansion sleeve ensure a durable connection that withstands even the dynamic requirements.
- 3** **The material structure** provides a reliable immutable structure.
- 4** **Chamfered screed plate edges** provide improved feeding.
- 5** **The weld studs** are securely welded and do not change the material structure even over load periods.



# ORIGINAL VÖGELE SCREED PLATES FOR BASIC AND EXTENDING SCREEDS



Screed type	Model	Series range	Basic Screed		Extending screed	
			left	right	left	right
AB 200 V	12AB	0010 - 0546	2014155		2014140	2014137
		0547 - 9999	2057184		2057411	2057420
AB 200 TV	12AB	0010 - 9999	2014155		2014140	2014137
AB 340 V	13AB	0010 - 9999	2060797	2060781	2060812	2060809
AB 340 TV	13AB	0010 - 9999	2042760	2042924	2043503	2043504
AB 340-3 V	27AB	0010 - 9999	2243673	2100925	2100927	2100931
AB 340-3 TV	27AB	0010 - 9999	2243191	2042924	2043503	2043504
AB 475 TV	03AB	0010 - 9999	4602424149	4602424150	4602424948	4602424949
AB 475 TP1	04AB	0010 - 9999	4602424149	4602424150	4602424152	4602424153
AB 475 TP2	05AB	0010 - 9999	4602424149	4602424150	4602424152	4602424153
AB 500 TV, TP1, TP2	10AB	0010 - 9999	4602426246	4602426247	4602427998	4602427999
AB 500 TV*	10AB	0010 - 9999	2030819	2030820	2030822	2030823
AB 500-2 TV, TP1, TP2	14AB, 15AB	0010 - 9999	2042535	2042536	2042538	2042539
AB 500-3 TV, TP1, TP2	23AB, 24AB	0010 - 9999	2201289	2201290	2202435	2202445
AB 575 TV	06AB	0010 - 9999	4602424955	4602424956	4602424958	4602424959
AB 575 TP2	07AB	0010 - 9999	4602424955	4602424956	4602424972	4602424973
AB 600 TV, TP1, TP2	11AB	0010 - 9999	4602428170	4602428171	4602428173	4602428174
AB 600 TV*	11AB	0010 - 9999	2031119	2031122	2031125	2031127
AB 600-2 TV, TP1, TP2	16AB, 17AB	0010 - 9999	2052858	2052859	2052887	2052893
AB 600-3 TV, TP1, TP2	25AB, 26AB	0010 - 9999	2211817	2211812	2211964	2211967
VR 600-2 V	18AB	0010 - 9999	2171786	2171789	2119871	2120665
VF 500-2 V without berm	19AB	0010 - 9999	2188944		2374818	2374820
VF 500-2 V with 305-mm berm					2189026	2187303
VF 500-2 V with 457-mm berm					2190038	2189746
VF 500-2 V with 610-mm berm					2224582	2224404
VF 600-2 V without berm	20AB	0010 - 9999	2130270		2374756	2374757
VF 600-2 V with 305-mm berm					2204784	2208891
VF 600-2 V with 457-mm berm					2209321	2210185
VF 600-2 V with 610-mm berm					2221267	2221744
SB 250, SB 250-2	02SB, 05SB	0010 - 9999	4602418916	4602418917		
SB 300, SB 300-2	03SB, 06SB	0010 - 9999	4602418082	4602418083		

\* Screed plates 330 mm deep

# ORIGINAL VÖGELE SCREED PLATES FOR BOLT-ON EXTENSIONS

Screed type	Model	Series range	Bolt-on extension (m)	Screed plate	
				left	right
AB 200 V	12AB	0010 - 0546	0.35	2028016	2028016
		0547 - 9999	0.35	2057718	2057718
		0010 - 9999	0.60	2057758	2057758
AB 200 TV	12AB	0010 - 9999	0.35	2028016	2028016
			0.60	2030798	2030798
AB 340 V	13AB	0010 - 9999	0.40	2060829	2060829
AB 340 TV	13AB	0010 - 9999	0.40	2050862	2050862
			0.55	2046968	2046968
AB 340-3 V	27AB	0010 - 9999	0.25	2183855	2183855
			0.40	2134911	2134911
AB 340-3 TV	27AB	0010 - 9999	0.25	2158886	2158886
			0.55	2046968	2046968
			0.80	2066364	2066364
AB 475 TV, AB 575 TV	03AB, 06AB	0010 - 9999	0.25	4602424962	4602424962
			0.625	4602424964	4602424964
			0.875	4602424965	4602424965
			1.125	4602424966	4602424966
			1.375	4602424967	4602424967
AB 475 TP, AB 575 TP	04AB, 05AB, 07AB	0010 - 9999	0.25	4602424250	4602424250
			0.625	4602424243	4602424243
			0.875	4602424156	4602424156
			1.125	4602424951	4602424951
			1.375	4602424971	4602424971
AB 500 TV, AB 600 TV	10AB, 11AB	0010 - 9999	0.225	4602428068	4602428068
			0.75	4602426519	4602426520
			1.25	4602428228	4602428228
AB 500 TV*, AB 600 TV*	10AB, 11AB	0010 - 9999	0.225	2032258	2032258
			0.75	2031131	2031132
AB 500 TP1, AB 600 TP1	10AB	0010 - 9999	0.225	4602428068	4602428068
			0.75	4602426519	4602426520
			1.25	4602428228	4602428228
AB 500 TP2, AB 600 TP2	11AB	0010 - 9999	0.225	4602428068	4602428068
			0.75	4602426519	4602426520
			1.25	4602428228	4602428228

\* Screed plates 330 mm deep



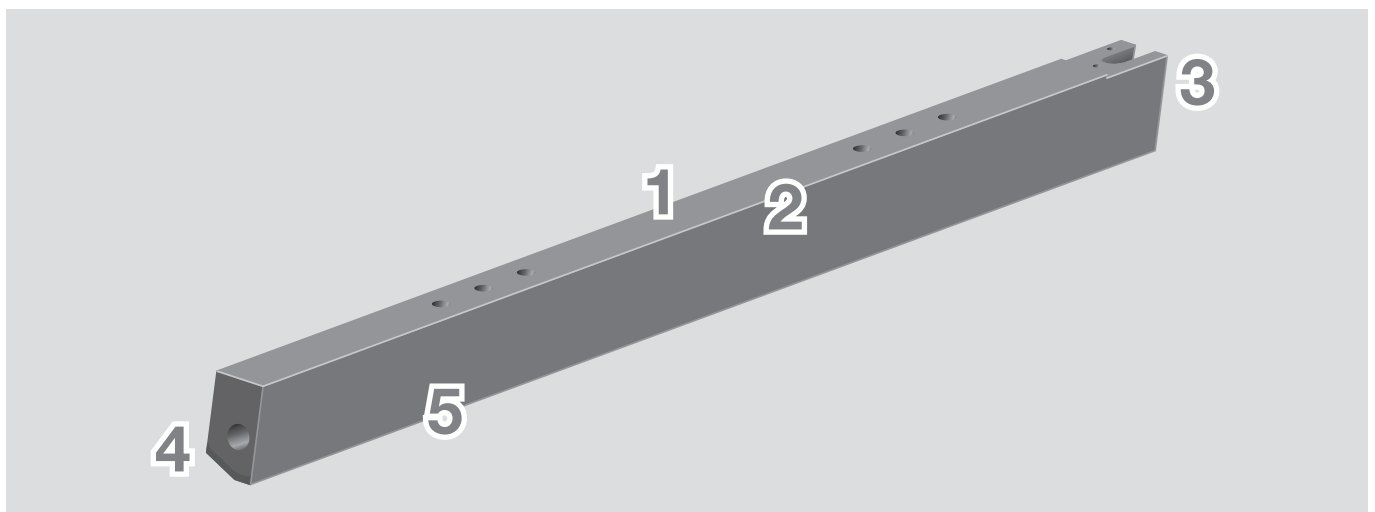
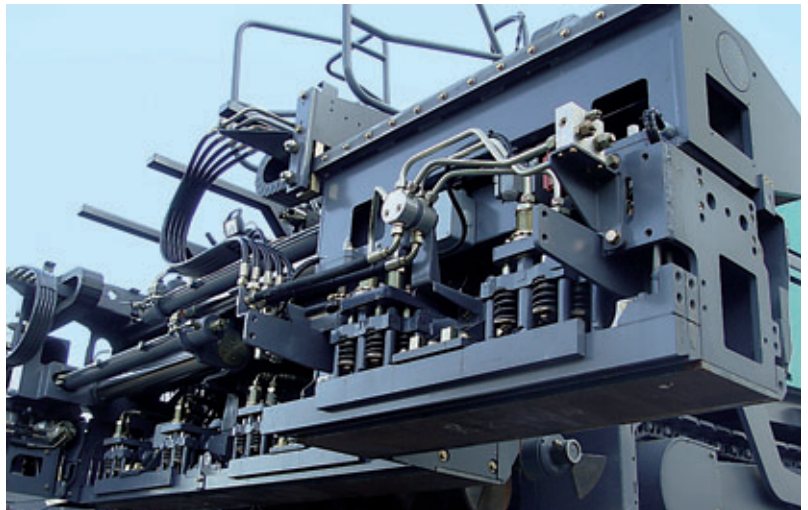
Screed type	Model	Series range	Bolt-on extension (m)	Screed plate	
				left	right
AB 500-2 TV, AB 600-2 TV	14AB, 16AB	0010 - 9999	0.25	2040876	2040876
			0.75	2043246	2043247
			1.25	2043248	2043248
AB 500-2 TP1, AB 600-2 TP1	15AB, 17AB	0010 - 9999	0.25	2040876	2040876
			0.75	2043246	2043247
			1.25	2043248	2043248
AB 500-2 TP2, AB 600-2 TP2	15AB, 17AB	0010 - 9999	0.25	2040876	2040876
			0.75	2043246	2043247
			1.25	2043248	2043248
AB 500-3 TV, AB 600-3 TV	23AB, 25AB	0010 - 9999	0.25	2222229	2222229
			0.75	2217007	2217013
			1.25	2214303	2214303
AB 500-3 TP1, AB 600-3 TP1	24AB, 26AB	0010 - 9999	0.25	2222229	2222229
			0.75	2217007	2217013
			1.25	2214303	2214303
AB 500-3 TP2, AB 600-3 TP2	24AB, 26AB	0010 - 9999	0.25	2222229	2222229
			0.75	2217007	2217013
			1.25	2214303	2214303
VR 600-2 V	18AB	0010 - 9999	0.65	2123601	2126171
VF 500-2 V	19AB	0010 - 9999	0.305	2169392	2169392
			0.61	2171115	2171115
VF 600-2 V	20AB	0010 - 9999	0.305	2169392	2169392
			0.61	2171115	2171115
SB 250, SB 300	02SB, 03SB	0010 - 9999	0.25	4602418642	4602418642
			0.50	4602418098	4602418098
			0.75 (extensible)	4602425219	4602425220
			1.00	4602418086	4602418087
			1.50	4602418084	4602418085
SB 250-2, SB 300-2	05SB, 06SB	0010 - 9999	0.25	4602418642	4602418642
			0.50	4602418098	4602418098
			0.75 (extensible)	4602425219	4602425220
			1.00	4602418086	4602418087
			1.50	4602418084	4602418085



## ORIGINAL VÖGELE PRESSURE BARS

The pressure bars driven by pulsed-flow hydraulics produce highest density and, in doing so, they are exposed to severe strain. Vögele pressure bars are made of a highly wear-resistant material. Induction hardening optimises the material's hardening depth and achieves absolutely uniform hardening over the bar's full length.

The pressure bars come with heating rods installed inside, allowing them to achieve highest pavement quality very economically.



- 1** The **pressure bars** are located immediately behind the screed plates and form the seal of the optimum compaction by the screed.
- 2** The **highly wear-resistant material** protects the pressure bar against the extreme loads.
- 3** The **pressure bar** is uniformly heated from the inside via a heating rod to prevent asphalt adhesions.
- 4** **Bevelled edge** makes for an ideal material infeed and an ideal final density.
- 5** The **pressure bars** compress the asphalt, depending on machines and use, either individual or double as TP1 or TP2 version.

Screed type	Model	Series range	Designation	Basic Screed		Extending screed	
				left	right	left	right
AB 475 TP1	04AB	0010 - 9999	Pressure bar P2	4611352841	4611352842	4611353343	4611353345
AB 475 TP2	05AB	0010 - 0025	Pressure bar P1	4611352839	4611352840	4611353342	4611353344
			Pressure bar P2	4611352841	4611352842	4611353343	4611353345
	old	4001 - 4104	Pressure bar P1	4611352742	4611352743	4611352746	4611352747
			Pressure bar P2	4611352744	4611352745	4611352748	4611352749
		4105 - 9999	Pressure bar P1	4611352839	4611352840	4611353342	4611353344
			Pressure bar P2	4611352841	4611352842	4611353343	4611353345
AB 500 TP1	10AB	0010 - 9999	Pressure bar P2	2004023	2004024	2004027	2004028
AB 500 TP2	10AB	0010 - 9999	Pressure bar P1	2004020	2004022	2004025	2004026
			Pressure bar P2	2004023	2004024	2004027	2004028
AB 500-2 TP1	15AB	0010 - 9999	Pressure bar P2	2004023	2004024	2004027	2004028
AB 500-2 TP2	15AB	0010 - 9999	Pressure bar P1	2004020	2004022	2004025	2004026
			Pressure bar P2	2004023	2004024	2004027	2004028
AB 500-3 TP1	24AB	0010 - 9999	Pressure bar P2	2004023	2004024	2004027	2004028
AB 500-3 TP2	24AB	0010 - 9999	Pressure bar P1	2004020	2004022	2004025	2004026
			Pressure bar P2	2004023	2004024	2004027	2004028
AB 575 TP2	07AB	0010 - 9999	Pressure bar P1	4611352780	4611352781	4611353346	4611353348
			Pressure bar P2	4611352782	4611352783	4611353347	4611353349
AB 600 TP1	11AB	0010 - 9999	Pressure bar P2	2004575	2004576	2004579	2004580
AB 600 TP2	11AB	0010 - 9999	Pressure bar P1	2004573	2004574	2004577	2004578
			Pressure bar P2	2004575	2004576	2004579	2004580
AB 600-2 TP1	17AB	0010 - 9999	Pressure bar P2	2004575	2004576	2004579	2004580
AB 600-2 TP2	17AB	0010 - 9999	Pressure bar P1	2004573	2004574	2004577	2004578
			Pressure bar P2	2004575	2004576	2004579	2004580
AB 600-3 TP1	26AB	0010 - 9999	Pressure bar P2	2004575	2004576	2004579	2004580
AB 600-3 TP2	26AB	0010 - 9999	Pressure bar P1	2004573	2004574	2004577	2004578
			Pressure bar P2	2004575	2004576	2004579	2004580
SB 250 TP1	02SB	0010 - 9999	Pressure bar P2	4611353212	4611353213		
SB 250 TP2	02SB	0010 - 9999	Pressure bar P1	4611353210	4611353211		
			Pressure bar P2	4611353212	4611353213		
SB 250-2 TP1	05SB	0010 - 9999	Pressure bar P2	4611353212	4611353213		
SB 250-2 TP2	05SB	0010 - 9999	Pressure bar P1	4611353210	4611353211		
			Pressure bar P2	4611353212	4611353213		
SB 300 TP1	03SB	0010 - 9999	Pressure bar P2	4611353109	4611353110		
SB 300 TP2	03SB	0010 - 9999	Pressure bar P1	4611353107	4611353108		
			Pressure bar P2	4611353109	4611353110		
SB 300-2 TP1	06SB	0010 - 9999	Pressure bar P2	4611353109	4611353110		
SB 300-2 TP2	06SB	0010 - 9999	Pressure bar P1	4611353107	4611353108		
			Pressure bar P2	4611353109	4611353110		

# ORIGINAL VÖGELE PRESSURE BARS

Screed type	Model	Series range	Designation	Bolt-on extension (m)	Pressure bar	
					left	right
AB 475 TP1	04AB	0010 - 9999	Pressure bar P2	0.25	4611353116	4611353120
			Pressure bar P2	0.625	4611353192	4611353194
			Pressure bar P2	0.875	4611353085	4611353087
			Pressure bar P2	1.125	4611352975	4611352979
			Pressure bar P2	1.375	4611353390	4611353392
AB 475 TP2, AB 575 TP2	05AB, 07AB	0010 - 9999	Pressure bar P1	0.25	4611353115	4611353119
			Pressure bar P2		4611353116	4611353120
			Pressure bar P1	0.625	4611353191	4611353193
			Pressure bar P2		4611353192	4611353194
			Pressure bar P1	0.875	4611353084	4611353086
			Pressure bar P2		4611353085	4611353087
			Pressure bar P1	1.125	4611352974	4611352978
			Pressure bar P2		4611352975	4611352979
			Pressure bar P1	1.375	4611353389	4611353391
Pressure bar P2	4611353390	4611353392				
AB 500 TP1, AB 600 TP1	10AB, 11AB	0010 - 9999	Pressure bar P2	0.225	4611353685	4611353686
			Pressure bar P2	0.75	2004603	2004604
			Pressure bar P2	1.25	2004612	2004613
AB 500 TP2, AB 600 TP2	10AB, 11AB	0010 - 9999	Pressure bar P1	0.225	4611353681	4611353683
			Pressure bar P2		4611353685	4611353686
			Pressure bar P1	0.75	2004600	2004601
			Pressure bar P2		2004603	2004604
			Pressure bar P1	1.25	2004610	2004611
Pressure bar P2	2004612	2004613				
AB 500-2 TP1, AB 500-3 TP1	15AB, 24AB	0010 - 9999	Pressure bar P2	0.25	2041252	2041253
			Pressure bar P2	0.75	2004603	2004604
			Pressure bar P2	1.25	2004612	2004613
AB 600-2 TP1, AB 600-3 TP1	17AB, 26AB	0010 - 9999	Pressure bar P2	0.25	2041252	2041253
			Pressure bar P2	0.75	2004603	2004604
			Pressure bar P2	1.25	2004612	2004613
AB 500-2 TP2, AB 500-3 TP2	15AB, 24AB	0010 - 9999	Pressure bar P1	0.25	2041249	2041251
			Pressure bar P2		2041252	2041253
			Pressure bar P1	0.75	2004600	2004601
			Pressure bar P2		2004603	2004604
			Pressure bar P1	1.25	2004610	2004611
Pressure bar P2	2004612	2004613				
AB 600-2 TP2, AB 600-3 TP2	17AB, 26AB	0010 - 9999	Pressure bar P1	0.25	2041249	2041251
			Pressure bar P2		2041252	2041253
			Pressure bar P1	0.75	2004600	2004601
			Pressure bar P2		2004603	2004604
			Pressure bar P1	1.25	2004610	2004611
Pressure bar P2	2004612	2004613				
SB 250 TP1, SB 250-2 TP1, SB 300 TP1, SB 300-2 TP1	02SB, 05SB, 03SB, 06SB	0010 - 9999	Pressure bar P2	0.25	4611353116	4611353120
			Pressure bar P2	0.50	4611353124	4611353128
			Pressure bar P2	0.75 (extensible)	4611353465	4611353466
			Pressure bar P2	1.00	4611353132	4611353136
			Pressure bar P2	1.50	4611353140	4611353144
SB 250 TP2, SB 250-2 TP2, SB 300 TP2, SB 300-2 TP2	02SB, 05SB, 03SB, 06SB	0010 - 9999	Pressure bar P1	0.25	4611353115	4611353119
			Pressure bar P2		4611353116	4611353120
			Pressure bar P1	0.50	4611353123	4611353127
			Pressure bar P2		4611353124	4611353128
			Pressure bar P1	0.75 (extensible)	4611353467	4611353468
			Pressure bar P2		4611353465	4611353466
			Pressure bar P1	1.00	4611353131	4611353135
			Pressure bar P2		4611353132	4611353136
			Pressure bar P1	1.50	4611353139	4611353143
Pressure bar P2	4611353140	4611353144				





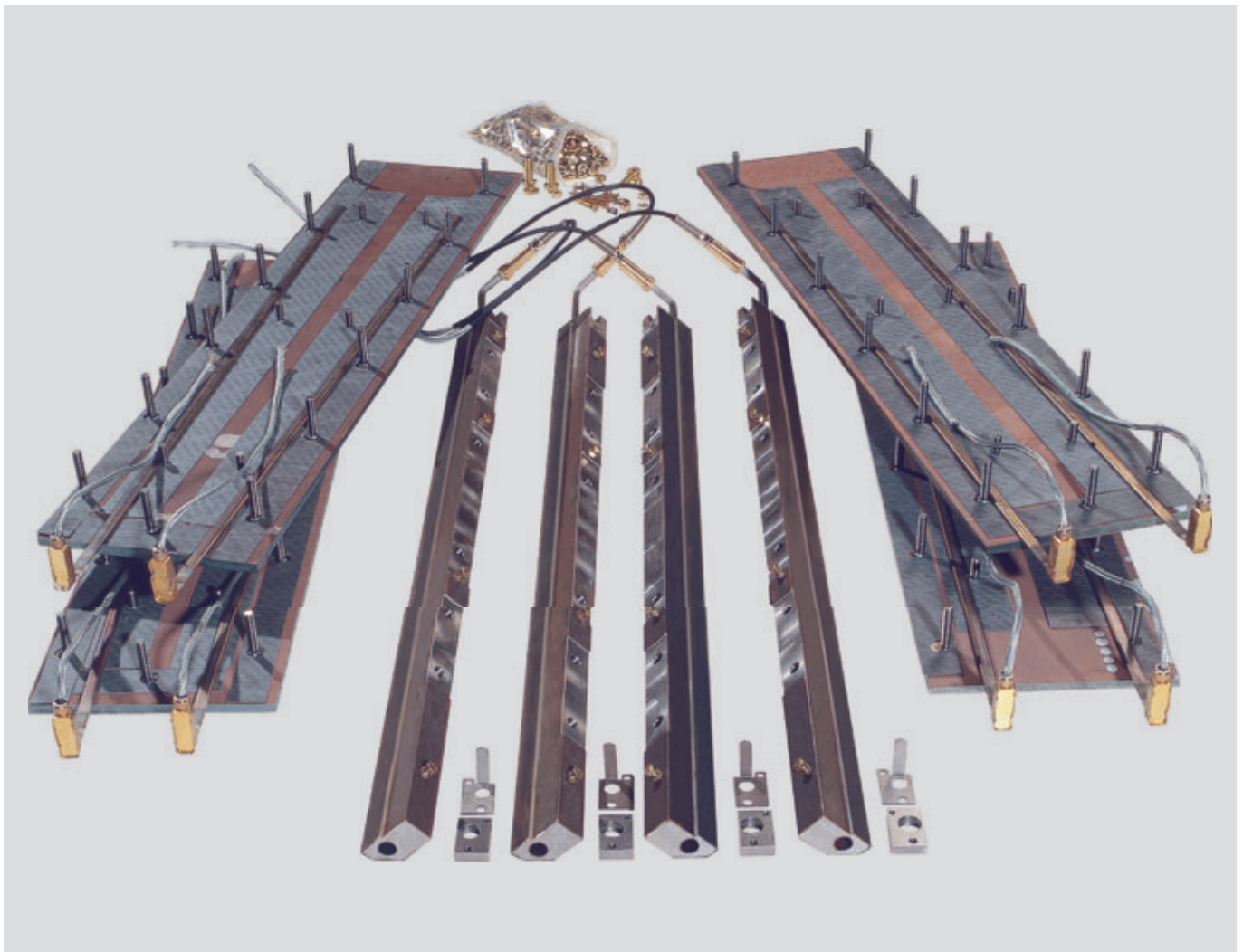


# ORIGINAL VÖGELE SERVICE PACKAGES FOR SCREEDS

## The all-round solution for your screed

With our packages for screeds you are on the safe side at all times when it comes to quickly exchanging parts.

The service packages available for all screed models include screed plates, tamper bar, pressure bar(s) (for TP1 and TP2 screed versions), heating rods, spring steel strips for tamper bars and pressure bars as well as all insulating and mounting materials.



Screed type	Model	Series range	Service package with 10-mm screed plates	Service package with 12-mm screed plates	Service package with 12-mm screed plates*	Service package with 15-mm screed plates	Service package with 15-mm screed plates**
AB 200 V	12AB	0010 - 0546	2037577				
		0547 - 9999	2074368				
AB 200 TV	12AB	0010 - 0289	2037578				
		0290 - 9999	2049834				
AB 340 V	13AB	0010 - 0492	2069226				
		0493 - 9999	2135330				
AB 340 TV	13AB	0010 - 9999		2069225			
AB 340-3 V	27AB	0010 - 9999	2318801				
AB 340-3 TV	27AB	0010 - 9999		2318821			
AB 475 TV	03AB	0010 - 0817				4617500096	
	old	1102 - 9999		4617500009		4617500010	
AB 475 TP1	04AB	0010 - 9999				4617500014	
AB 475 TP2	05AB	0010 - 0025				4617500019	
	old	4001 - 4104		4617500015		4617500016	
		4105 - 9999		4617500017		4617500018	
AB 500 TV	10AB	0010 - 9999				2009421	2047365
AB 500 TP1	10AB	0010 - 9999				2009422	
AB 500 TP2	10AB	0010 - 9999				2009423	
AB 500-2 TV	14AB	0010 - 9999					2051692
AB 500-2 TP1	15AB	0010 - 9999					2051693
AB 500-2 TP2	15AB	0010 - 9999					2051694
AB 500-3 TV	23AB	0010 - 9999			2310096		
AB 500-3 TP1	24AB	0010 - 9999			2310251		
AB 500-3 TP2	24AB	0010 - 9999			2310253		
AB 575 TV	06AB	0010 - 9999				4617500022	
AB 575 TP2	07AB	0010 - 0206				4617500025	
	old	5001 - 9999		4617500023		4617500024	
AB 600 TV	11AB	0010 - 9999				2013177	2047510
AB 600 TP1	11AB	0010 - 9999				2013178	
AB 600 TP2	11AB	0010 - 9999				2013179	
AB 600-2 TV	16AB	0010 - 9999					2073390
AB 600-2 TP1	17AB	0010 - 9999					2073391
AB 600-2 TP2	17AB	0010 - 9999					2073392
AB 600-3 TV	25AB	0010 - 9999			2310246		
AB 600-3 TP1	26AB	0010 - 9999			2310305		
AB 600-3 TP2	26AB	0010 - 9999			2310306		

\* 320 mm deep · \*\* 330 mm deep

# ORIGINAL VÖGELE SERVICE PACKAGES FOR SCREEDS



Close to  
our customers

Screed type	Model	Series range	Service package with 10-mm screed plates	Service package with 12-mm screed plates	Service package with 12-mm screed plates*	Service package with 15-mm screed plates	Service package with 15-mm screed plates**
VR 600-2 V	18AB	0010 - 9999		2204910			
VF 500-2 V compl. standard	19AB	0010 - 9999		2338566			
VF 500-2 V incl. sliding blocks	19AB	0010 - 9999		2336789			
VF 500-2 V extensions	19AB	0010 - 9999		2336791 without berm left			
				2336793 without berm right			
				2336794 12-inch berm left			
				2336795 12-inch berm right			
				2336798 18-inch berm left			
				2306800 18-inch berm right			
				2336802 24-inch berm left			
VF 600-2 V	20AB	0010 - 0028		2307023			
VF 600-2 V compl. standard	20AB	0029 - 9999		2338568			
VF 600-2 V incl. sliding blocks	20AB	0010 - 9999		2336796			
VF 600-2 V extensions	20AB	0029 - 9999		2338330 without berm left			
				2338332 without berm right			
				2338336 12-inch berm right			
				2338340 18-inch berm left			
				2338342 18-inch berm right			
				2338343 24-inch berm left			
				2338344 24-inch berm right			
SB 250 TV	02SB	0010 - 9999				4617500026	
SB 250 TP1	02SB	0010 - 9999				4617500027	
SB 250 TP2	02SB	0010 - 9999				4617500028	
SB 300 TV	03SB	0010 - 9999				4617500029	
SB 300 TP1	03SB	0010 - 9999				4617500030	
SB 300 TP2	03SB	0010 - 9999				4617500031	
SB 250-2 TV	05SB	0010 - 9999				2166153	
SB 250-2 TP1	05SB	0010 - 9999				2166154	
SB 250-2 TP2	05SB	0010 - 9999				2166155	
SB 300-2 TV	06SB	0010 - 9999				2166156	
SB 300-2 TP1	06SB	0010 - 9999				2166157	
SB 300-2 TP2	06SB	0010 - 9999				2166158	

\* 320 mm deep · \*\* 330 mm deep

# ORIGINAL VÖGELE SERVICE PACKAGES FOR BOLT-ON EXTENSIONS



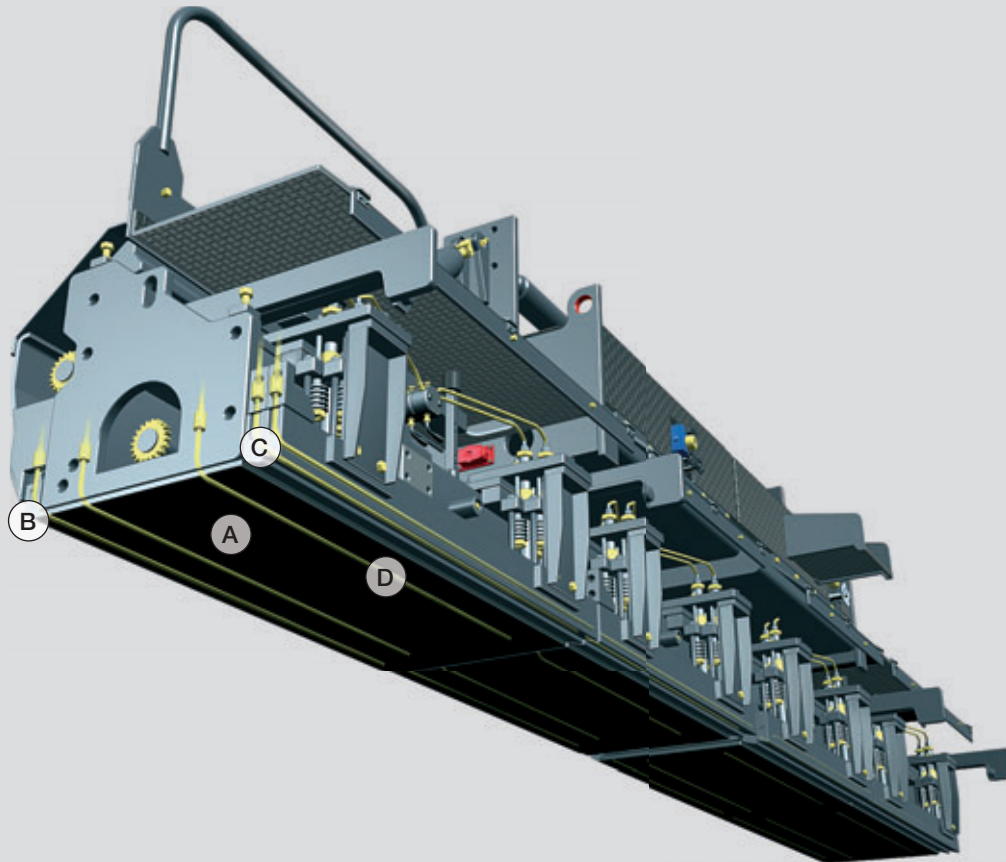
Close to  
our customers



## The all-round solution for your bolt-on extensions

For your paving jobs in large widths, benefit from our service packages for bolt-on extensions.

The service package provides for the left-hand and right-hand extension: the screed plates, tamper bars, pressure bars (with TP screeds), heating rods and spring steel strips for tamper and pressure bars as well as all insulating and mounting material.



- A Screed plates
- B Tamper bars
- C Pressure bars  
(on TP screeds)
- D Heating rods

# ORIGINAL VÖGELE SERVICE PACKAGES FOR BOLT-ON EXTENSIONS

Screed type	Model	Series range	Bolt-on extension (m)	Part No.
AB 200 V	12AB	0546 - 9999	0.35	2037579
		0547 - 9999	0.35	2074369
AB 200 TV	12AB	0010 - 9999	0.35	2037580
			0.60	2037581
AB 340 V	13AB	0814 - 9999	0.25	2225607
		0010 - 0492	0.40	2069228
		0493 - 9999		2135333
AB 340 TV	13AB	0623 - 9999	0.25	2184162
		0010 - 9999	0.40	2069227
		0010 - 9999	0.55	2069229
		0402 - 9999	0.80	2160123
AB 340-3 V	27AB	0010 - 9999	0.25 V	2318842
			0.40	2135333
AB 340-3 TV	27AB	0010 - 9999	0.25 T	2318834
			0.55	2318853
			0.80	2318857
AB 500 TV, AB 600 TV	10AB, 11AB	0010 - 9999	0.225	2013180
			0.225*	2047511
			0.75	2009424
			0.75*	2047509
			1.25	2013200
AB 500 TP1, AB 600 TP1	10AB, 11AB	0010 - 9999	0.225	2013181
			0.75	2009425
			1.25	2013183
AB 500 TP2, AB 600 TP2	10AB, 11AB	0010 - 9999	0.225	2013182
			0.75	2009426
			1.25	2013184
AB 500-2 TV, AB 600-2 TV	14AB, 16AB	0010 - 9999	0.25	2051719
			0.75	2051728
			1.25	2051736
AB 500-2 TP1, AB 600-2 TP1	15AB, 17AB	0010 - 9999	0.25	2051720
			0.75	2051729
			1.25	2051737
AB 500-2 TP2, AB 600-2 TP2	15AB, 17AB	0010 - 9999	0.25	2051721
			0.75	2051730
			1.25	2051738
AB 500-3 TV, AB 600-3 TV	23AB, 25AB	0010 - 9999	0.25	2310232
			0.75	2310237
			1.25	2310239

\* with 330 mm deep screed plates



Screed type	Model	Series range	Bolt-on extension (m)	Part No.
AB 500-3 TP1, AB 600-3 TP1	24AB, 26AB	0010 - 9999	0.25	2310296
			0.75	2310298
			1.25	2310302
AB 500-3 TP2, AB 600-3 TP2	24AB, 26AB	0010 - 9999	0.25	2310297
			0.75	2310299
			1.25	2310303
VR 600-2 V	18AB	0010 - 9999	0.65	2228882
VF 500-2 V	19AB	0010 - 9999	0.305	2307061
		0029 - 9999	0.61	2307064
			12-inch berm	2307061
VF 600-2 V	20AB	0010 - 9999	24-inch berm	2307064
			0.305	2307061
			0.61	2307064
			12-inch berm	2307061
SB 250 TV, SB 300 TV	02SB, 03SB	0010 - 9999	24-inch berm	2307064
			0.25	461750032
			0.50	461750035
			0.75 (extensible)	2047480
SB 250 TP1, SB 300 TP1	02SB, 03SB	0010 - 9999	1.00	461750038
			1.50	461750041
			0.25	461750033
			0.50	461750036
SB 250 TP2, SB 300 TP2	02SB, 03SB	0010 - 9999	0.75 (extensible)	2047481
			1.00	461750039
			1.50	461750042
			0.25	461750034
SB 250-2 TV, SB 300-2 TV	05SB, 06SB	0010 - 9999	0.50	461750037
			0.75 (extensible)	2047483
			1.00	461750040
			1.50	461750043
SB 250-2 TP1, SB 300-2 TP1	05SB, 06SB	0010 - 9999	0.25	2166451
			0.50	2166454
			0.75 (extensible)	2166459
			1.00	2166462
SB 250-2 TP2, SB 300-2 TP2	05SB, 06SB	0010 - 9999	1.50	2166465
			0.25	2166452
			0.50	2166455
			0.75 (extensible)	2166460
SB 250-2 TP1, SB 300-2 TP1	05SB, 06SB	0010 - 9999	1.00	2166463
			1.50	2166467
			0.25	2166453
			0.50	2166456
SB 250-2 TP2, SB 300-2 TP2	05SB, 06SB	0010 - 9999	0.75 (extensible)	2166461
			1.00	2166464
			1.50	2166468
			0.25	2166453

# ORIGINAL VÖGELE GENERATOR MANAGEMENT AND SCREED HEATING TECHNOLOGY

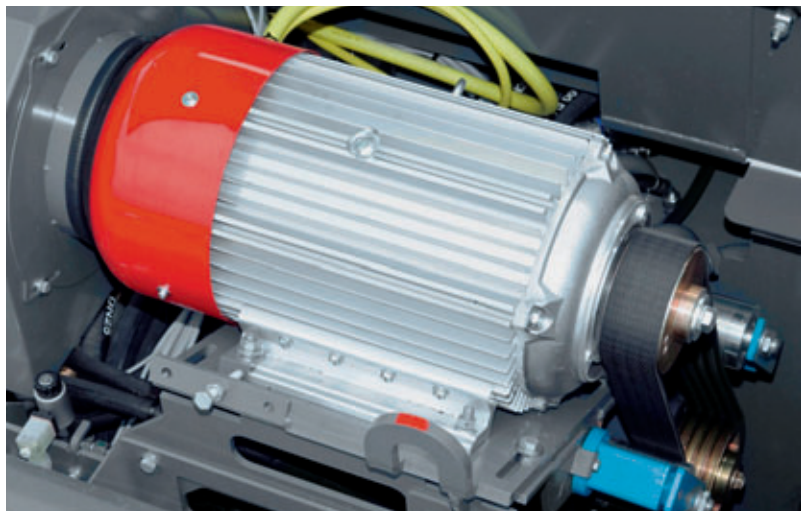
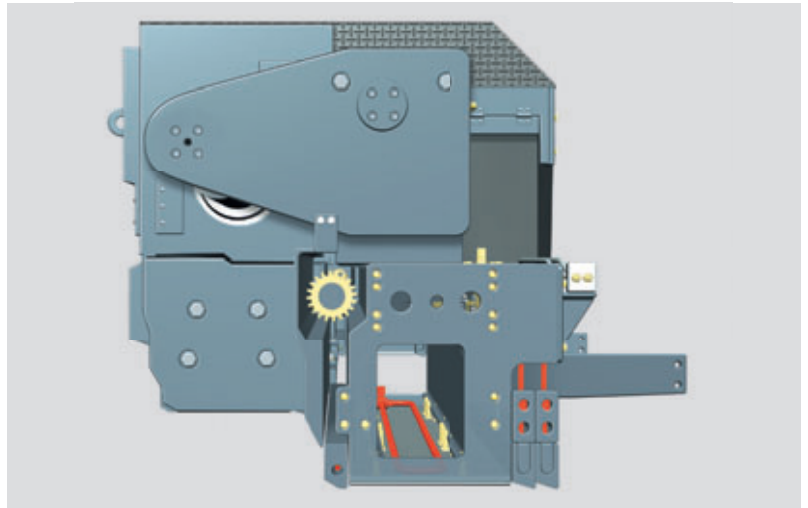
Vögele is the technology leader in the field of electric screed heating. In 1952, Vögele was the first manufacturer to use this highly efficient and eco-friendly method, has applied it ever since and contributed substantially to its development by many innovations until these present times.

All compacting elements coming into touch with the hot mix are heated across the full pave width in order to support compaction and achieve a smooth surface texture the best way. Hot mix is prevented from sticking to screed elements and an ideal environment is created in terms of temperature for the floating of the screed.

Tamper bars and pressure bars are fitted with heating rods providing for uniform heating. For the screed plate, a heating rod distributing the heat over a large area is fitted as standard. An extra one is available as an option. Bevel irons for the pavement edges, too, can be equipped with heating rods.

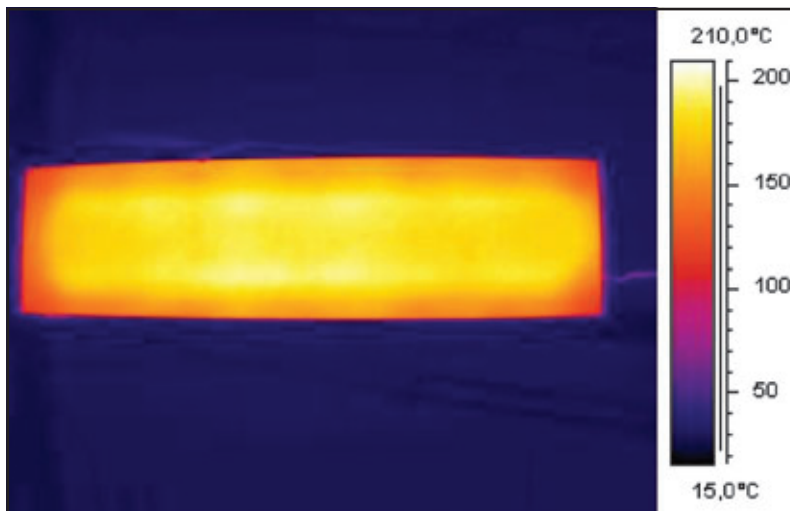
In all Vögele pavers powerful and sturdy three-phase generators are installed to supply the electric power for screed heating. An intelligent Generator Management achieves optimum efficiency and ensures that irrespective of engine rpm the power needed for heating your screed in its current pave width is made available. Power reserves can be used for paving.

Even with the engine set to minimum rpm, the screed's compacting elements are heated to operating temperature within just a few minutes. With paver functions set to automatic, the Generator Management activates alternating mode, which then heats your screed alternately to left and right.



## **This is a typical Vögele feature, a truly intelligent principle:**

- Operating temperature remains constant.
- Power requirement is halved, as only one half of the screed is being heated at the same time.
- The generator is effectively protected against overheating.
- No charring of bitumen as local overheating is positively avoided.



### Using electric power the smart way, complying with the demand

Optimal distribution of heat and uniform heating of screed plates prevents strips in the pavement surface.

#### Benefits at a glance:

- Constant and high pavement quality.
- No thermal damage caused to your mix.
- Screed heating is easy on your engine.
- Fuel consumption is reduced substantially.

In all Vögele tractor units, a sturdy three-phase A.C. generator is installed to supply the electric power for screed heating. Even with the engine running at minimum rpm, the screed's compacting systems are heated to operating temperature within no more than a few minutes.

Proper selection of the generator as a function of your maximum pave width also depends on several other facts, such as:

- Type of tractor unit and screed type
- Systems equipped for compaction
- Use of standard screed heating or extra heating rods
- Use of working lights or heating rods for end plates

Original Vögele V-belt pulleys provide perfect power transmission from the engine to the generator for screed heating. They stand out through absolutely smooth running and, thanks to an optimised coefficient of friction, guarantee long low-wear operation of the heavy-duty V-belts.

For generator drive, Vögele use modern heavy-duty V-belts only. Due to optimised contact surfaces, they are characterised by higher performance and feature long service life and excellent power transmission.



# ORIGINAL VÖGELE GENERATORS

Machine type	Model	Series range	Power output (kW)	Generator	Voltage regulator
SUPER BOY	0690	0010 - 9999	2.2	4625201034	
			4.4	4625201041	
SUPER 600, SUPER 700, SUPER 800	0790	0010 - 9999	5/8.5	2014354	2011835
SUPER 1100-2, SUPER 1300-2	0811	0010 - 9999	7/13	2044135*	2032377
SUPER 1100-3 (i), SUPER 1300-3 (i)	1011	0010 - 9999	10/13	2220310*	2335729
SUPER 1103-3 (i), SUPER 1303-3 (i)	1111	0010 - 9999	10/13	2220310*	2335729
SUPER 1103-2, SUPER 1303-2	0911	0010 - 9999	7/13	2044135*	2032377
SUPER 1400	0612	0010 - 9999	10 maximum rpm	4625201045	
			9/13 idling rpm	2086349**	3515043283
SUPER 1402	0611	0010 - 9999	10 maximum rpm	4625201045	
			9/13 idling rpm	2086349**	3515043283
SUPER 1500	0670	0010 - 9999	9/13 maximum rpm	2086349**	3515043283
			13/18 idling rpm	2086343**	3515043283
		0110 - 0113 0114 - 9999	12.9 direct current	4625201076	
SUPER 1502	0671	0010 - 9999	9/13 maximum rpm	2086349**	3515043283
			13/18 idling rpm	2086343**	3515043283
		0202 - 9999	12.9 direct current	4625201076	
SUPER 1600	0672	0010 - 9999	13/18 maximum rpm	2086343**	3515043283
		0010 - 0277	18/25 idling rpm	2086345**	3515043283
		0278 - 9999			
		0010 - 0193			
		0194 - 0416 0417 - 9999	16 direct current	4625201077	
	0682	0010 - 9999	13/18 maximum rpm 18/25 idling rpm	2086343** 2086345**	3515043283 3515043283
SUPER 1800-1, SUPER 1600-1	0782	0010 - 9999	13/18 idling rpm	2086343**	3515043283
			22/36 idling rpm	2112706	3515180021
			27/44 idling rpm	2112726	3515180021
SUPER 1600-1 EP, SUPER 1800-1 EP	0982	0010 - 9999	Standard	2026061*	2032378
			Power	2032544*	2032378
SUPER 1600-2, SUPER 1800-2 (SJ)	1182	0010 - 9999	13/18 idling rpm	2086343**	3515043283
			22/36 idling rpm	2112706	3515180021
			27/44 idling rpm	2112726	3515180021
SUPER 1600-3 (i)	1582	0010 - 9999	Standard	2181135	2287963
SUPER 1603	0673	0010 - 9999	13/18 maximum rpm	2086343**	3515043283
			18/25 idling rpm	2086345**	3515043283
			16 direct current	4625201077	
SUPER 1603-1, SUPER 1803-1	0783	0010 - 9999	13/18 maximum rpm	2086343**	3515043283
			18/25 idling rpm	2086345**	3515043283
SUPER 1603-2, SUPER 1803-2	0883	0010 - 9999	13/18 idling rpm	2086343**	3515043283
			22/36 idling rpm	2112706	3515180021
SUPER 1603-3 (i)	1183	0010 - 9999	Standard	2181135	2287963

\* V-belt pulley (driven end) already mounted · \*\* Only available as replacement generators and deposit

Machine type	Model	Series range	Power output (kW)	Generator	Voltage regulator					
SUPER 1800	0668	0010 - 9999	13/18 maximum rpm	2086343**	3515043283					
			18/25 maximum rpm	2086345**	3515043283					
			18/25 idling rpm	2086345**	3515043283					
		0010 - 0608 0609 - 1177 1178 - 9999	16 direct current	4625201077						
							0010 - 1402	23 direct current	4625201075	
SUPER 1800-3 (i)	1482	0010 - 9999	Standard	2148312	2222936					
			Power	2142586	2222936					
SUPER 1803-3 (i)	1083	0010 - 9999	Standard	2148312	2222936					
SUPER 1804	0669	0010 - 9999	13/18 maximum rpm	2086343**	3515043283					
			18/25 maximum rpm	2086345**	3515043283					
			18/25 idling rpm	2086345**	3515043283					
		0010 - 0299 0300 - 0344 0345 - 9999	16 direct current	4625201077						
							0010 - 0344 0345 - 9999	23 direct current	4625201075	
		SUPER 1900, SUPER 2100	0619	0010 - 9999	22/36 idling rpm	2130138	3515180021			
27/44 idling rpm	2130079				3515180021					
SUPER 1900-2, SUPER 2100-2	0719	0010 - 9999	22/36 idling rpm	2112569	3515180021					
			27/44 idling rpm	2112574	3515180021					
SUPER 2100-2 IP	0719	0727 - 9999	Power	2112574*	3515180021					
SUPER 1900-3 (i)	0819	0010 - 9999	Standard	2148312	2222936					
			Power	2142586	2222936					
SUPER 2100-3 (i)	0819	0010 - 9999	Standard	2148312	2222936					
			Power	2142586	2222936					
SUPER 2500	0674	0010 - 0040	26/34	2086346**	3515043283					
		0041 - 0042								
		0043 - 9999								
SUPER 3000-2	0874	0010 - 9999	Power	2109780	2220300					
VISION 5100-2	1382	0004 - 9999	Standard	2071960	2220300					
VISION 5103-2	0983	0004 - 9999	Standard	2071960	2220300					
VISION 5200-2	0774	0010 - 9999	Standard	2112898*	2266960					
			Power	2112894*	2266960					
VISION 5200-2 (i)	0974	0010 - 9999	Standard	2112898*	2266960					
VISION 5203-2	0775	0010 - 9999	Standard	2112898*	2266960					
			Power	2112894*	2266960					
VISION 5203-2 (i)	0875	0010 - 9999	Standard	2112898*	2266960					
MT 3000-2	0761	0010 - 9999	Standard	2150018	2277964					

\* V-belt pulley (driven end) already mounted · \*\* Only available as replacement generators and deposit





# ORIGINAL VÖGELE V-BELTS

Machine type	Model	Series range	Power output (kW)	V-belt pulley (driven end)	V-belts	
					Quantity	Part No.
SUPER BOY	0690	0010 - 9999	2.2	4617342276	1	3303211632
			4.4	4617342289	1	3304211700
SUPER 600, SUPER 700, SUPER 800	0790	0010 - 9999	5/8.5	2024975	1	2034422
SUPER 1100-2, SUPER 1300-2	0811	0010 - 9999	7/13	2044085	2	2048342
SUPER 1100-3 (i), SUPER 1300-3 (i)	1011	0010 - 9999	10/13	2236103	2	2244137
SUPER 1103-2, SUPER 1303-2	0911	0010 - 9999	7/13	2044085	2	2048342
SUPER 1103-3 (i), SUPER 1303-3 (i)	1111	0010 - 9999	10/13	2236103	2	2244137
SUPER 1400	0612	0010 - 9999	10 maximum rpm	4617342291	1	3303221900
			9/13 idling rpm	4617342306	1	3303231732
SUPER 1402	0611	0010 - 9999	10 maximum rpm	4617342291	1	3303221832
			9/13 idling rpm	4617342306	1	3303231732
SUPER 1500	0670	0010 - 9999	9/13 maximum rpm	4617342295	1	3303231357
			13/18 idling rpm	4617342295	4	3304211357
		0010 - 0113 0114 - 9999	12.9 direct current	4617342280	1 1	3303231157 3303231357
SUPER 1502	0671	0010 - 9999	9/13 maximum rpm	4617342295	1	3303231357
			13/18 idling rpm	4617342295	4	3304211357
		0010 - 0201 0202 - 9999	12.9 direct current	4617342280	1 1	3303231157 3303231357
SUPER 1600	0672	0010 - 9999	13/18 maximum rpm	4617342295	1	3303241832
		0010 - 0277	18/25 idling rpm	4617342350	1	3303241807
		0278 - 9999			6	3304211800
		0010 - 0193	16 direct current	4617342235	1	3303241157
		0194 - 0416			1	3303241807
		0417 - 9999			1	3303241832
0682	0010 - 9999	13/18 maximum rpm	4617342355	1	3304231900	
		18/25 idling rpm	4617342354	1	3304241932	
SUPER 1800-1, SUPER 1600-1	0782	0010 - 9999	13/18 idling rpm	2009797	1	2028978
			22/36 idling rpm	2009797	1	2028978
			27/44 idling rpm	2009797	1	2028978
SUPER 1600-1 EP, SUPER 1800-1 EP	0982	0010 - 9999	Standard	2014529	1	2028978
			Power	2032523	1	2036648

Machine type	Model	Series range	Power output (kW)	V-belt pulley (driven end)	V-belts	
					Quantity	Part No.
SUPER 1600-2, SUPER 1800-2 (SJ)	1182	0010 - 9999	13/18 idling rpm	2009797	1	2028978
			22/36 idling rpm	2009797	1	2028978
			27/44 idling rpm	2009797	1	2028978
SUPER 1603	0673	0010 - 9999	13/18 maximum rpm	4617342295	1	3303241832
			18/25 idling rpm	4617342350	6	3304211800
			16 direct current	4617342235	1	3303241832
	0683	0010 - 9999	13/18 maximum rpm	4617342355	1	3304231900
			18/25 idling rpm	4617342354	1	3304241932
SUPER 1603-1, SUPER 1803-1	0783	0010 - 9999	13/18 idling rpm	2009797	1	2028978
			22/36 idling rpm	2009797	1	2028978
SUPER 1603-2, SUPER 1803-2	0883	0010 - 9999	13/18 idling rpm	2009797	1	2028978
			22/36 idling rpm	2009797	1	2028978
SUPER 1800	0668	0010 - 9999	13/18 maximum rpm	4617342295	1	3303241832
			18/25 maximum rpm	4617342350	5	3304211800
			18/25 idling rpm	4617342350	5	3304211800
		0010 - 0608	16 direct current	4617342235	1	3303241157
		0609 - 1177	16 direct current	4617342235	1	3303241807
		1178 - 9999	16 direct current	4617342235	1	3303241832
		0010 - 1402	23 direct current	4617342274	1	3303241832
1403 - 9999	23 direct current	4617342331	1	3303241832		
SUPER 1804	0669	0010 - 9999	13/18 maximum rpm	4617342295	1	3303241832
			18/25 maximum rpm	4617342350	5	3304211800
			18/25 idling rpm	4617342350	5	3304211800
		0010 - 0299	16 direct current	4617342235	1	3303241157
		0300 - 0344	16 direct current	4617342235	1	3303241807
		0345 - 9999	16 direct current	4617342235	1	3303241832
		0010 - 0344	23 direct current	4617342274	1	3303241832
0345 - 9999	23 direct current	4617342331	1	3303241832		
SUPER 1900, SUPER 2100	0619	0010 - 9999	22/36 idling rpm	4617342357	6	3304211457
			27/44 idling rpm	4617342357	6	3304211457
SUPER 1900-2, SUPER 2100-2	0719	0010 - 9999	22/36 idling rpm	2034929	1	2034969
			27/44 idling rpm	2034929	1	2034969
SUPER 2100-2 IP	0719	0727 - 0852	27/44 idling rpm	2034929	1	2034969
		0852 - 9999			1	2131259
SUPER 2500	0674	0010 - 0040	26/34	4617342314	5	3303251732
		0041 - 0042	26/34	4617342314	5	3304211757
		0043 - 9999	26/34	4617342314	5	3304211900
VISION 5200-2	0774	0010 - 9999	Standard	2009797	1	2115169
			Power	2009797	1	2115169
VISION 5200-2 (i)	0974	0010 - 9999	Standard	2009797	1	2115169
VISION 5203-2	0775	0010 - 9999	Standard	2009797	1	2115169
			Power	2009797	1	2115169
VISION 5203-2 (i)	0875	0010 - 9999	Standard	2009797	1	2115169



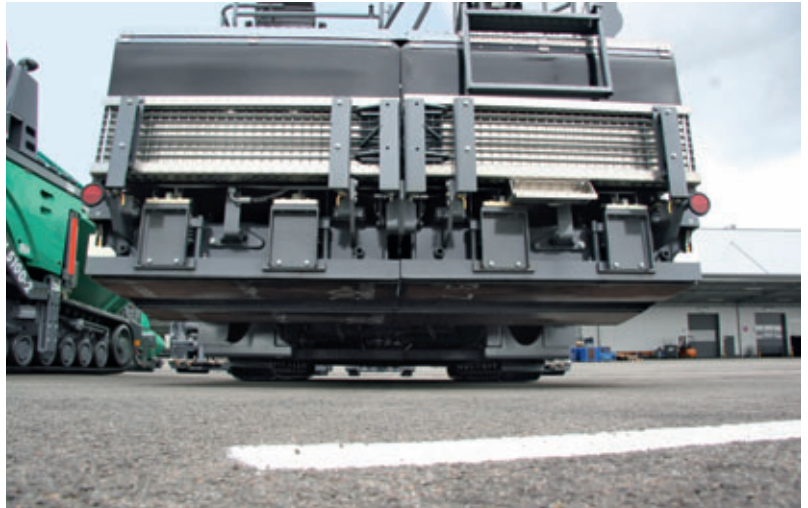
# ORIGINAL VÖGELE HEATING RODS



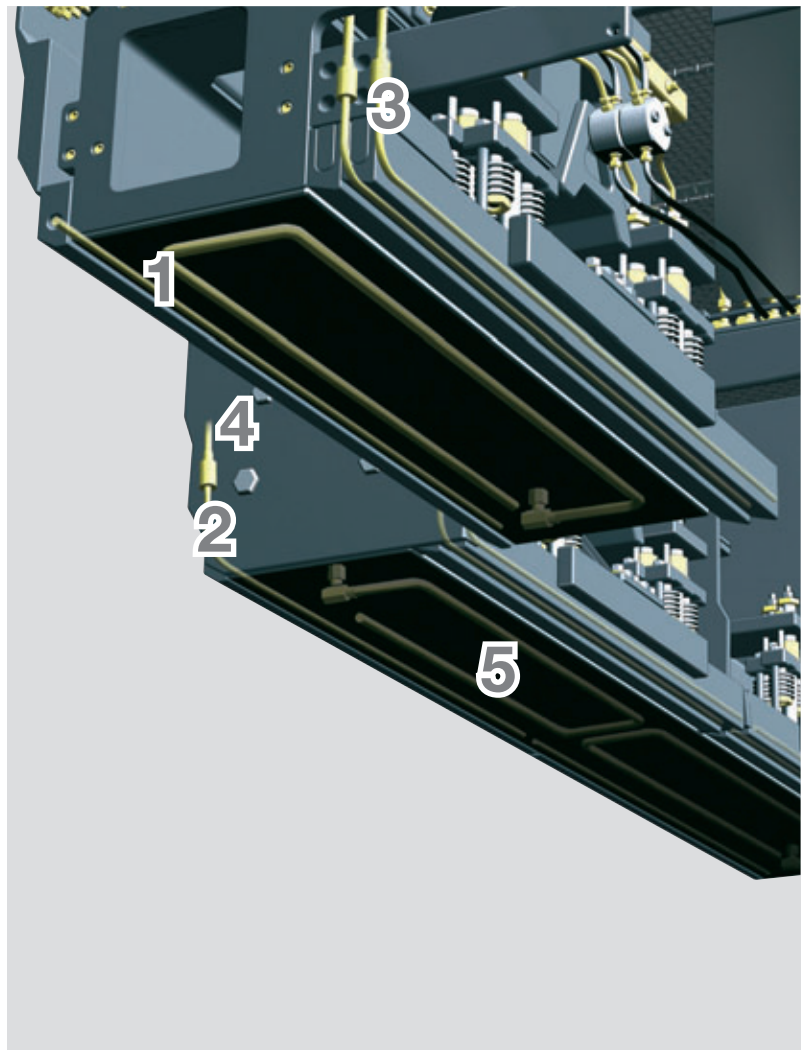
Close to  
our customers

The heating rods of tamper bars, pressure bars and screed plates are vital components of the electrical screed heating system. Their easy fitting simplifies maintenance and exchange.

Thanks to soldered cable contacts and amply dimensioned cable lengths, the heating rods are unsusceptible to vibrations.



- 1** The **screed heating system** is **electrically** controlled. The functionality of the heating rods can be checked immediately after switching it on.
- 2** The **heating rods** can be replaced easily.
- 3** The **soldered cable contacts and oversized cable loops in the sleeve** help against vibration.
- 4** The use of **silicone rubber as a sealing compound** in the sleeve prevents the penetration of dirt and diesel.
- 5** The **heating rods** are resistant to high temperatures.



# ORIGINAL VÖGELE HEATING RODS FOR TAMPER BARS OF THE BASIC SCREED



Screed type	Model	Series range	Heating rods for tamper bars and pressure bars	
			Quantity	Part No.
AB 200 TV	12AB	0010 - 9999	4	2013523
AB 340 TV	13AB	0010 - 9999	4	2044960
AB 340-3 TV	27AB	0010 - 9999	4	2044960
AB 475 TV	old	1105 - 9999	4	4608150168
	03AB	0010 - 9999		
AB 475 TP1	04AB	0010 - 9999	8	4608150168
AB 475 TP2	05AB	0010 - 9999	12	4608150168
AB 500 TV	10AB	0010 - 9999	4	4608150169
AB 500 TP1	10AB	0010 - 9999	8	4608150169
AB 500 TP2	10AB	0010 - 9999	12	4608150169
AB 500-2 TV	14AB	0010 - 9999	4	2035050
AB 500-2 TP1	15AB	0010 - 9999	8	2035050
AB 500-2 TP2	15AB	0010 - 9999	12	2035050
AB 500-3 TV	14AB	0010 - 9999	4	2035050
AB 500-3 TP1	15AB	0010 - 9999	8	2035050
AB 500-3 TP3	15AB	0010 - 9999	12	2035050
AB 575 TV	06AB	0010 - 9999	4	4608150100
AB 575 TP2	07AB	0010 - 9999	12	4608150100
AB 600 TV	11AB	0010 - 9999	4	4608150202
AB 600 TP1	11AB	0010 - 9999	8	4608150202
AB 600 TP2	11AB	0010 - 9999	12	4608150202
AB 600-2 TV	16AB	0010 - 9999	4	2056558
AB 600-2 TP1	17AB	0010 - 9999	8	2056558
AB 600-2 TP2	17AB	0010 - 9999	12	2056558
AB 600-3 TV	25AB	0010 - 9999	4	2056558
AB 600-3 TP1	26AB	0010 - 9999	8	2056558
AB 600-3 TP2	26AB	0010 - 9999	12	2056558
SB 250 TV	02SB	0010 - 9999	2	4608150168
SB 250 TP1	02SB	0010 - 9999	4	4608150168
SB 250 TP2	02SB	0010 - 9999	6	4608150168
SB 250-2 TV	05SB	0010 - 9999	2	4608150168
SB 250-2 TP1	05SB	0010 - 9999	4	4608150168
SB 250-2 TP2	05SB	0010 - 9999	6	4608150168
SB 300 TV	03SB	0010 - 9999	2	4608150100
SB 300 TP1	03SB	0010 - 9999	4	4608150100
SB 300 TP2	03SB	0010 - 9999	6	4608150100
SB 300-2 TV	06SB	0010 - 9999	2	4608150100
SB 300-2 TP1	06SB	0010 - 9999	4	4608150100
SB 300-2 TP2	06SB	0010 - 9999	6	4608150100



# ORIGINAL VÖGELE HEATING RODS FOR SCREED PLATES OF THE BASIC SCREED



Screed type	Model	Series range	Heating rods for screed plates		
			Description	Quantity	Part No.
AB 200 V	12AB	0010 - 0546		4	2013521
		0547 - 9999		4	2057071
AB 200 TV	12AB	0010 - 9999		4	2013521
AB 215	SUPER BOY			4	4608150111
AB 315	09AB	0010 - 9999		8	4608150177
AB 340 V	13AB	0010 - 9999		4	2060753
AB 340 TV	13AB	0010 - 9999		4	2043840
AB 340-3 V	27AB	0010 - 9999		4	2275929
AB 340-3 TV	27AB	0010 - 9999		4	2275932
AB 375 TV	01AB	0001 - 6064		8	4608150113
		6065 - 9999		4	4608150116
AB 375 TP1	02AB	0001 - 6064		8	4608150113
		6065 - 9999		4	4608150116
AB 475 TV	03AB	1102 - 9999		8	4608150070
		0010 - 9999		8	4608150006
AB 475 TP1	04AB	0010 - 9999		4	4608150006
AB 475 TP2	05AB	0010 - 9999		4	4608150006
AB 575 TV	06AB	0010 - 9999		8	4608150003
AB 575 TP2	07AB	0010 - 9999		4	4608150003
AB 500 TV	10AB	0010 - 9999		4	4608150166
AB 500 TP1	10AB	0010 - 9999		4	4608150190
AB 500 TP2	10AB	0010 - 9999		4	4608150173
AB 500-2 TV	14AB	0010 - 9999	Left	2	2035986
			Right	2	2035992
AB 500-2 TP1, TP2	15AB	0010 - 9999	Left	2	2035986
			Right	2	2035992
AB 500-3 TV	23AB	0010 - 9999	Left	2	2035986
			Right	2	2035992
AB 500-3 TP1, TP2	24AB	0010 - 9999	Left	2	2035986
			Right	2	2035992
AB 600 TV	11AB	0010 - 9999		4	4608150199
AB 600 TP1, TP2	11AB	0010 - 9999		4	4608150200
AB 600-2 TV, TP1, TP2	16AB, 17AB	0010 - 9999	Left	2	2056568
			Right	2	2056569
AB 600-3 TV	25AB	0010 - 9999	Left	2	2056568
			Right	2	2056569
AB 600-3 TP1, TP2	26AB	0010 - 9999	Left	2	2056568
			Right	2	2056569
VR 600-2 V	18AB	0010 - 9999	Left	2	2119873
			Right	2	2112914
				4	2096490
VF 500-2 V	19AB	0010 - 9999		2	2190671
				2	2190087
				2	2276013
VF 600-2 V	20AB	0010 - 9999	GB	2	2137031
			GB	2	2137032
			AUS	2	2138475
			GB	2	2137029
			AUS	2	2169384
SB 250 TV, TP1, TP2	02SB	0010 - 9999		4	4608150006
SB 250-2 TV, TP1, TP2	05SB	0010 - 9999	Left	2	2121669
			Right	2	2121664
SB 300 TV, TP1, TP2	03SB	0010 - 9999		4	4608150003
SB 300-2 TV, TP1, TP2	06SB	0010 - 9999	Left	2	2119621
			Right	2	2119711



# ORIGINAL VÖGELE HEATING RODS FOR ADDITIONAL HEATING OF THE BASIC SCREED



Screed type	Model	Series range	Heating rods for additional heating	
			Quantity	Part No.
AB 475 TV	03AB	0010 - 9999	4	4608150006
AB 475 TP1	04AB	0010 - 9999	4	4608150006
AB 475 TP2	05AB	0010 - 9999	4	4608150006
AB 575 TV	06AB	0010 - 9999	4	4608150003
AB 575 TP2	07AB	0010 - 9999	4	4608150003*
AB 500 TV, TP1, TP2	10AB	0010 - 9999	4	4608150167*
			4	4608150192
AB 600 TV, TP1, TP2	11AB	0010 - 9999	4	4608150210
			4	4608150208*
SB 250 TV, TP1, TP2	02SB	0010 - 9999	2	2053770
SB 300 TV, TP1, TP2	03SB	0010 - 9999	2	2053768

\* Not for SUPER 1800 (0668), SUPER 2500 (0674)



# ORIGINAL VÖGELE HEATING RODS FOR BOLT-ON EXTENSIONS

Screed type	Model	Series range	Bolt-on extension (m)	Heating rods for tamper bars and pressure bars		Heating rods for screed plates		
				Quantity	Part No.	Description	Quantity	Part No.
AB 200 V	12AB	0010 - 0546	0.35				2	2014017
		0547 - 9999	0.35				2	2057073
		0010 - 9999	0.60				2	2057080
AB 200 TV	12AB	0010 - 9999	0.35	2	2014019		2	2014017
			0.60	2	2030992		2	2030954
AB 340 V	13AB	0814 - 9999	0.25				2	2158785
		0010 - 0492	0.40				2	2060750
		0493 - 9999					2	2060750
AB 340 TV	13AB	0623 - 9999	0.25	2	2157593		2	2158785
		0010 - 9999	0.40	2	2051126		2	2051149
		0010 - 9999	0.55	2	2047003		2	2047175
		0402 - 9999	0.80	2	2067126		2	2067119
AB 340-3 V	27AB	0010 - 9999	0.25				2	2158785
			0.40				2	2060750
AB 340-3 TV	27AB	0010 - 9999	0.25	2	2157593		2	2158785
			0.55	2	2047003		2	2047175
			0.80	2	2255040		2	2255038
AB 475 TV, AB 575 TV	03AB, 06AB	0010 - 9999	0.25	2	4608150189		4	4608150115
			0.625	2	4608150106		4	4608150027
			0.875	2	4608150107		4	4608150037
			1.125	2	4608150108		4	4608150038
			1.375	2	4608150109		4	4608150042
AB 475 TP1	04AB	0010 - 9999	0.25	4	4608150189		2	4608150115
			0.625	4	4608150106		2	4608150027
			0.875	4	4608150107		2	4608150037
			1.125	4	4608150108		2	4608150038
			1.375	4	4608150109		2	4608150042
AB 475 TP2, AB 575 TP2	05AB, 07AB	0010 - 9999	0.25	6	4608150189		2	4608150115
			0.625	6	4608150106		2	4608150027
			0.875	6	4608150107		2	4608150037
			1.125	6	4608150108		2	4608150038
			1.375	6	4608150109		2	4608150042
AB 500 TV, AB 600 TV	10AB, 11AB	0010 - 9999	0.225	2	4608150189		2	4608150195
			0.75	2	4608150174		2	4608150170
			1.25	2	4608150169		2	4608150204
AB 500 TP1, AB 600 TP1	10AB, 11AB	0010 - 9999	0.225	4	4608150189		2	4608150195
			0.75	4	4608150174		2	4608150191
			1.25	4	4608150169		2	4608150204
AB 500 TP2, AB 600 TP2	10AB, 11AB	0010 - 9999	0.225	6	4608150189		2	4608150195
			0.75	6	4608150174		2	4608150172
			1.25	6	4608150169		2	4608150204

Screed type	Model	Series range	Bolt-on extension (m)	Heating rods for tamper bars and pressure bars		Heating rods for screed plates		
				Quantity	Part No.	Description	Quantity	Part No.
AB 500-2 TV, AB 600-2 TV	14AB, 16AB	0010 - 9999	0.25	2	2041147	Left	1	2041149
			0.75	2	2035055	Right	1	2041151
						Left	1	2036690
			1.25	2	2035050	Right	1	2036728
						Left	1	2035986
			Right	1	2035992			
AB 500-2 TP1, AB 600-2 TP1	15AB, 17AB	0010 - 9999	0.25	4	2041147	Left	1	2041149
			0.75	4	2035055	Right	1	2041151
						Left	1	2036690
			1.25	4	2035050	Right	1	2036728
						Left	1	2035986
			Right	1	2035992			
AB 500-2 TP2, AB 600-2 TP2	15AB, 17AB	0010 - 9999	0.25	6	2041147	Left	1	2041149
			0.75	6	2035055	Right	1	2041151
						Left	1	2036690
			1.25	6	2035050	Right	1	2036728
						Left	1	2035986
			Right	1	2035992			
AB 500-3 TV, AB 600-3 TV	23AB, 25AB	0010 - 9999	0.25	2	2041147	Left	1	2041149
			0.75	2	2035055	Right	1	2041151
						Left	1	2036690
			1.25	2	2035050	Right	1	2036728
						Left	1	2035986
			Right	1	2035992			
AB 500-3 TP1, AB 600-3 TP1	24AB, 26AB	0010 - 9999	0.25	4	2041147	Left	1	2041149
			0.75	4	2035055	Right	1	2041151
						Left	1	2036690
			1.25	4	2035050	Right	1	2036728
						Left	1	2035986
			Right	1	2035992			
AB 500-3 TP2, AB 600-3 TP2	24AB, 26AB	0010 - 9999	0.25	6	2041147	Left	1	2041149
			0.75	6	2035055	Right	1	2041151
						Left	1	2036690
			1.25	6	2035050	Right	1	2036728
						Left	1	2035986
			Right	1	2035992			
VR 600-2 V	18AB	0010 - 9999	0.65	2	2123611	Left	1	2123603
						Right	1	2126439
VF 500-2 V	19AB	0010 - 9999	0.305	2	2137044		2	2137037
			0.61	2	2137042		2	2137046
VF 600-2 V	20AB	0010 - 9999	0.305	2	2137044		2	2137037
			0.61	2	2137042		2	2137046



# ORIGINAL VÖGELE HEATING RODS FOR BOLT-ON EXTENSIONS



Screed type	Model	Series range	Bolt-on extension (m)	Heating rods for tamper bars and pressure bars		Heating rods for screed plates		
				Quantity	Part No.	Description	Quantity	Part No.
SB 250 TV, SB 300 TV	02SB, 03SB	0010 - 9999	0.25	2	4608150189		4	4608150115
			0.50	2	4608150105		4	4608150071
			0.75 (extensible)	2	4608150184		4	4608150116
			1.00	2	4608150107		4	4608150037
			1.50	2	4608150100		4	4608150003
SB 250 TP1, SB 300 TP1	02SB, 03SB	0010 - 9999	0.25	4	4608150189		4	4608150115
			0.50	4	4608150105		4	4608150071
			0.75 (extensible)	4	4608150184		4	4608150116
			1.00	4	4608150107		4	4608150037
			1.50	4	4608150100		4	4608150003
SB 250 TP2, SB 300 TP2	02SB, 03SB	0010 - 9999	0.25	6	4608150189		4	4608150115
			0.50	6	4608150105		4	4608150071
			0.75 (extensible)	6	4608150184		4	4608150116
			1.00	6	4608150107		4	4608150037
			1.50	6	4608150100		4	4608150003
SB 250-2 TV, SB 300-2 TV	05SB, 06SB	0010 - 9999	0.25	2	4608150189	Left	1	2122379
						Right	1	2122384
			0.50	2	4608150105	Left	2	2121768
						Right	2	2121859
			0.75 (extensible)	2	4608150184	Left	1	2121689
						Right	1	2121757
			1.00	2	4608150107	Left	2	2119791
						Right	2	2119815
			1.50	2	4608150100	Left	2	2148138
						Right	2	2148151
SB 250-2 TP1, SB 300-2 TP1	05SB, 06SB	0010 - 9999	0.25	4	4608150189	Left	1	2122379
						Right	1	2122384
			0.50	4	4608150105	Left	2	2121768
						Right	2	2121859
			0.75 (extensible)	4	4608150184	Left	1	2121689
						Right	1	2121757
			1.00	4	4608150107	Left	2	2119791
						Right	2	2119815
			1.50	4	4608150100	Left	2	2148138
						Right	2	2148151
SB 250-2 TP2, SB 300-2 TP2	05SB, 06SB	0010 - 9999	0.25	6	4608150189	Left	1	2122379
						Right	1	2122384
			0.50	6	4608150105	Left	2	2121768
						Right	2	2121859
			0.75 (extensible)	6	4608150184	Left	1	2121689
						Right	1	2121757
			1.00	6	4608150107	Left	2	2119791
						Right	2	2119815
			1.50	6	4608150100	Left	2	2148138
						Right	2	2148151

# ORIGINAL VÖGELE HEATING RODS FOR ADDITIONAL HEATING FOR BOLT-ON EXTENSIONS



Screed type	Model	Series range	Bolt-on extension (m)	Heating rods for additional heating	
				Quantity	Part No.
AB 475 TV, AB 575 TV	03AB, 06AB	0010 - 9999	0.25	2	4608150115
			0.625	2	4608150027
			0.875	2	4608150037
			1.125	2	4608150038
			1.375	2	4608150042
AB 475 TP1	04AB	0010 - 9999	0.25	2	4608150115
			0.625	2	4608150027
			0.875	2	4608150037
			1.125	2	4608150038
			1.375	2	4608150042
AB 475 TP2, AB 575 TP2	05AB, 07AB	0010 - 9999	0.25	2	4608150115
			0.625	2	4608150027
			0.875	2	4608150037
			1.125	2	4608150038
			1.375	2	4608150042
AB 500 TV, AB 600 TV	10AB, 11AB	0010 - 9999	0.75	2	4608150171
				2	4608150193*
			1.25	2	4608150209
				2	4608150211*
AB 500 TP1, AB 600 TP1	10AB, 11AB	0010 - 9999	0.75	2	4608150171
				2	4608150193*
			1.25	2	4608150209
				2	4608150211*
AB 500 TP2, AB 600 TP2	10AB, 11AB	0010 - 9999	0.75	2	4608150171
				2	4608150193*
			1.25	2	4608150209
				2	4608150211*
SB 250 TV, SB 300 TV	02SB, 03SB	0010 - 9999	0.25	2	4608150115
			0.50	2	4608150071
			0.75 (extensible)	2	4608150116
			1.00	2	4608150037
			1.50	2	4608150003
SB 250 TP1, SB 300 TP1	02SB, 03SB	0010 - 9999	0.25	2	4608150115
			0.50	2	4608150071
			0.75 (extensible)	2	4608150116
			1.00	2	4608150037
			1.50	2	4608150003
SB 250 TP2, SB 300 TP2	02SB, 03SB	0010 - 9999	0.25	2	4608150115
			0.50	2	4608150071
			0.75 (extensible)	2	4608150116
			1.00	2	4608150037
			1.50	2	4608150003

\* Not for SUPER 1800 (0668), SUPER 2500 (0674)





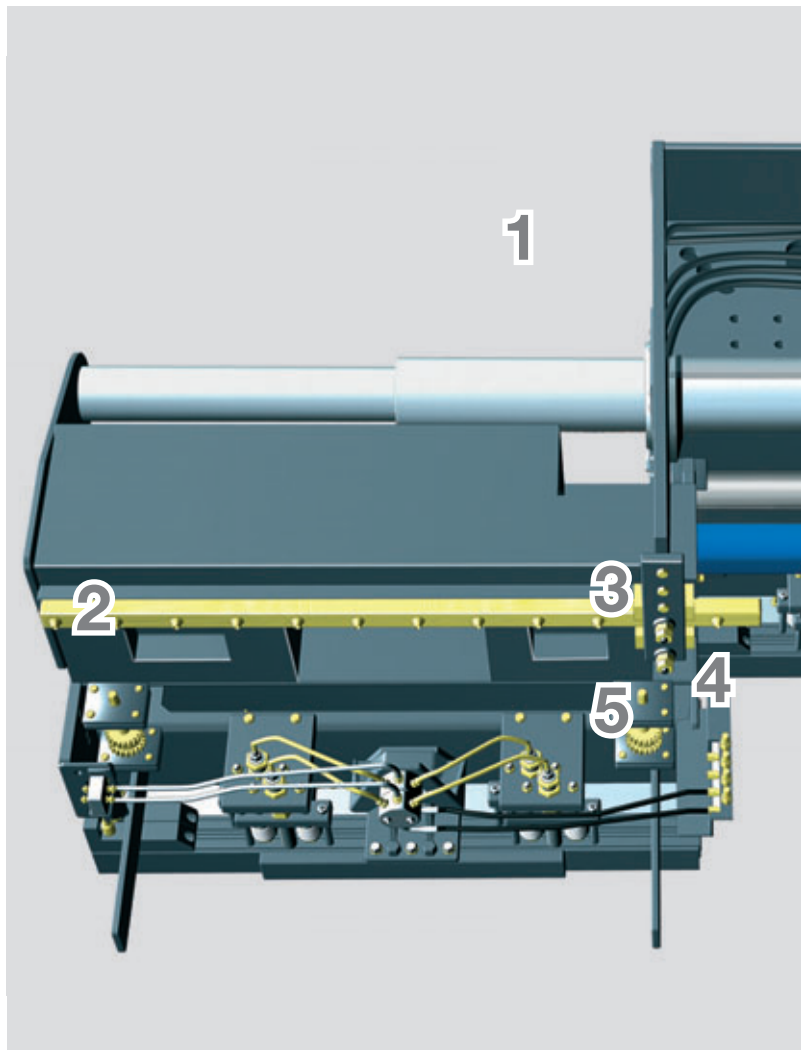
# ORIGINAL VÖGELE GUIDE RAILS AND SLIDE BLOCKS

Vögele guide rails and slide blocks are a guarantee for paving to a high standard of accuracy. Materials, which are adapted best to each other provide perfect guidance of the screed's extending units, free from slack. Be sure that greasing services are performed on a regular basis.

They are part of the Vögele torque restraint system. The guide bar is attached to the screed body of the extending parts using bolts. The sliding blocks are attached to the outer extending parts of the screed. They are located above and below the guide bar.



- 1** The cleverly designed guide provides a high degree of strengthening that enables the extending units to cope safely with the loads placed on them.
- 2** The guide bar is securely attached to the screed body of the extending units using bolts.
- 3** The sliding blocks can be reused – they just have to be rotated.
- 4** The bottom sliding block is attached in such a way that when it wears it can be adjusted without difficulty using an eccentric attachment.
- 5** To ensure optimal adjustment, loosen the counter nut, extend the screed completely and then retract it again.



Screed type	Model	Series range	Guide rails		Sliding blocks	
			Quantity	Part No.	Quantity	Part No.
AB 200	12AB	0010 - 0107	2	2014112	2	2020398
					2	2020401
		0108 - 9999	2	2038101	2	2020398
					2	2020401
AB 340	13AB	0010 - 9999	2	2043185	2	2020398
AB 340-3	27AB	0010 - 9999	2	2043185	4	2242347
AB 475	03AB, 04AB, 05AB	0010 - 9999	2	4615105895	4	4607252006
AB 575	06AB, 07AB	0010 - 9999	2	4615105896	4	4607252006
AB 500	10AB	0010 - 0366	2	4606123466	4	4607252008
		0367 - 9999	2	2009647	4	4607252008
AB 500-2	14AB, 15AB	0010 - 9999	2	2009647	4	4607252008
AB 500-3	23AB, 24AB	0010 - 9999	2	2228916	4	4607252008
AB 600	11AB	0010 - 0049	2	4606123484	4	4607252008
		0050 - 9999	2	2014773	4	4607252008
AB 600-2	16AB, 17AB	0010 - 9999	2	2014773	4	4607252008
AB 600-3	25AB, 26AB	0010 - 9999	2	2228918	4	4607252008
VR 600-2	18AB	0010 - 9999	2	2014773	4	4607252008
SB 250 / 0.75 m hydraulic bolt-on extension	02SB	0010 - 9999	2	4615106642	4	4607252006
SB 250-2 / 0.75 m hydraulic bolt-on extension	05SB	0010 - 9999	2	4615106642	4	4607252006
SB 300 / 0.75 m hydraulic bolt-on extension	03SB	0010 - 9999	2	4615106642	4	4607252006
SB 300 / 0.75 m hydraulic bolt-on extension	06SB	0010 - 9999	2	4615106642	4	4607252006



# ORIGINAL VÖGELE TELESCOPING TUBES

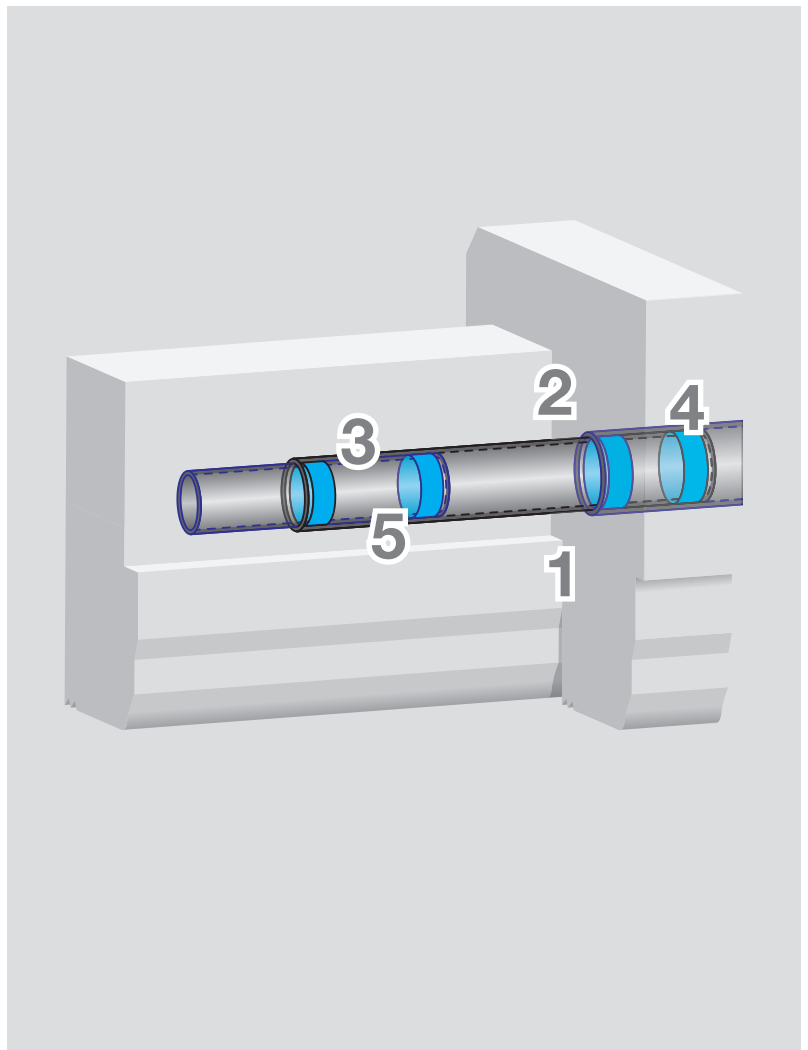
The telescoping tubes' whole process of manufacture meets tight tolerance requirements, thus ensuring a high level of quality.

Telescoping tubes are nickel-plated. This provides for low wear operation as well as positive and accurate paving throughout a long service life.

The extending tubes package consists of an outer tube, an intermediate tube, and an inner tube.



- 1 Telescoping tubes** provide the extending screed with the necessary stability.
- 2 Honing and grinding processes** ensure the best play.
- 3 The nickel-plated surface** is low-wear.
- 4 Teflon tapes** ensure perfect gliding properties.
- 5 The highest possible precision** facilitates the extension and retraction.



Screed type	Model	Series range	Designation	Quantity	Part No.
AB 475	03AB, 04AB, 05AB	0010 - 9999	Set of telescoping tubes*	2	2005958
			Wiper ring small	2	4604112068
			Wiper ring large	2	4604112059
			Teflon tape for half shell	4	4624132007
			Glue and hardener for half-shell	1	2013981
AB 500	10AB	0010 - 9999	Set of telescoping tubes*	2	2005960
			Wiper ring small	2	4604112068
			Wiper ring large	2	4604112059
			Teflon tape for half shell	2	4624132029
			Glue and hardener for half-shell	1	2013981
AB 500-2	14AB, 15AB	0010 - 9999	Set of telescoping tubes*	2	2005960
			Wiper ring small	2	4604112068
			Wiper ring large	2	4604112059
			Teflon tape for half shell	2	4624132029
			Glue and hardener for half-shell	1	2013981
AB 500-3	23AB, 24AB	0010 - 9999	Set of telescoping tubes*	2	2005960
			Wiper ring small	2	4604112068
			Wiper ring large	2	4604112059
			Plain bearing bush	2	2211074
AB 575	06AB, 07AB	0010 - 9999	Set of telescoping tubes*	2	2005959
			Wiper ring small	2	4604112068
			Wiper ring large	2	4604112059
			Teflon tape for half shell	4	4624132007
			Glue and hardener for half-shell	1	2013981
AB 600	11AB	0010 - 9999	Set of telescoping tubes*	2	2038213
			Wiper ring small	2	4604112068
			Wiper ring large	2	4604112059
			Teflon tape for half shell	2	4624132029
			Glue and hardener for half-shell	1	2013981
AB 600-2	16AB, 17AB	0010 - 9999	Set of telescoping tubes*	2	2038213
			Wiper ring small	2	4604112068
			Wiper ring large	2	4604112059
			Teflon tape for half shell	2	4624132029
			Glue and hardener for half-shell	1	2013981
AB 600-3	25AB, 26AB	0010 - 9999	Set of telescoping tubes*	2	2038213
			Wiper ring small	2	4604112068
			Wiper ring large	2	4604112059
			Plain bearing bush	2	2211074
VR 600-2	18AB	0010 - 9999	Set of telescoping tubes*	2	2038213
			Wiper ring small	2	4604112068
			Wiper ring large	2	4604112059
			Teflon tape for half shell	2	4624132029
			Glue and hardener for half-shell	1	2013981
VF 500-2	19AB	0010 - 9999	Set of telescoping tubes*	8	2201947
			Guide ring	48	2134632
			Wiper ring	16	2140458
VF 600-2	20AB	0010 - 9999	Set of telescoping tubes*	8	2134690
			Guide ring	48	2134632
			Wiper ring	16	2140458

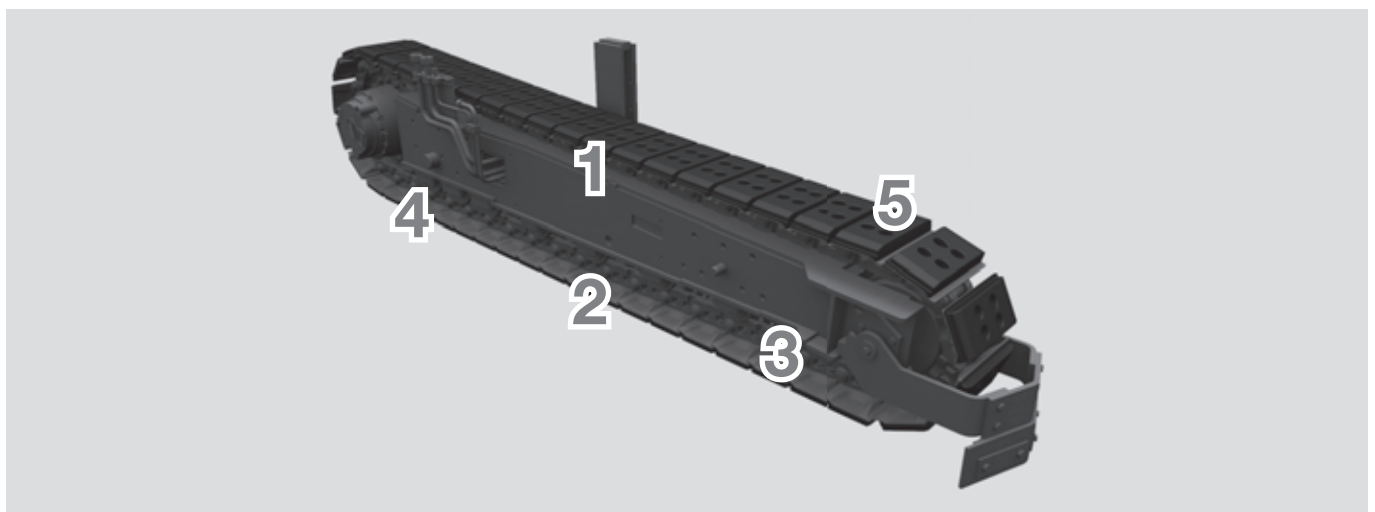
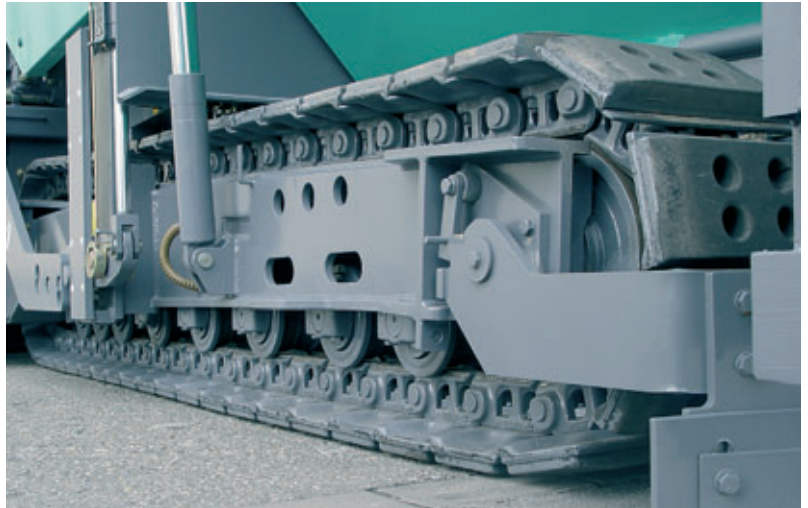
\* Set of telescoping tubes consisting of 1 outer tube, 1 intermediate tube and 1 inner tube



# ORIGINAL VÖGELE CRAWLER UNIT CHAINS

Vögele crawler tracks are easily able to withstand constant, enormous mechanical stress during day-to-day operations.

Die-forged chain links made of a boron/magnesium modified steel feature extraordinarily high strength for a long service life. Contact surfaces are induction hardened, the best precondition also for longevity. The chain's optimised geometry reduces strain when under extreme tension and improves fatigue strength.



- 1** The steel alloy of the track links ensures a long service life.
- 2** Induction-hardened, curved treads perfect the wear behaviour.
- 3** Special design and high intrinsic strength of the track links guarantee the permanent edge stability.
- 4** Hinges withstand extreme soiling and screw connections provide a high dynamic load capacity thanks to their optimised elongation length.
- 5** With their self-locking nut seat the crawler tracks can be easily mounted.



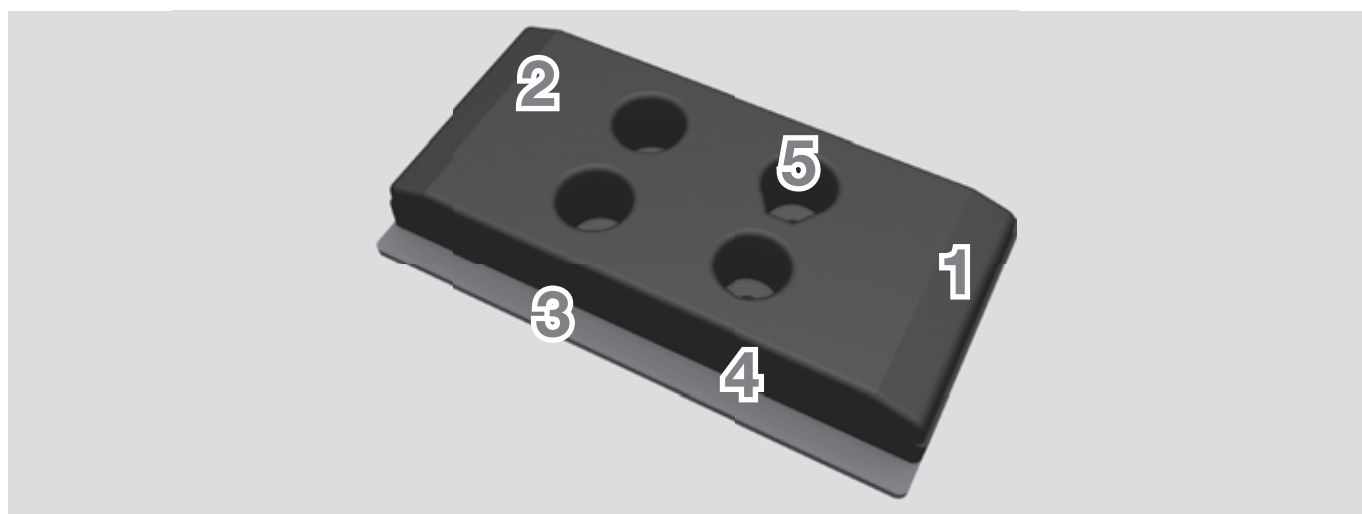
Machine type	Model	Series range	Crawler track chain	
			with track pads	without track pads
SUPER 600, SUPER 700, SUPER 800	0790	0010 - 9999	2013741	2033717
SUPER 1100-2, SUPER 1300-2	0810	0010 - 9999	2043936	2043937
SUPER 1100-3 (i), SUPER 1300-3 (i)	1011	0010 - 9999	2043936	2043937
SUPER 1400	0612	0010 - 9999	4610302090	4610302092
SUPER 1500	0670	0010 - 9999	4610302088	4610302089
SUPER 1600	0672	0010 - 9999	4610302088	4610302089
	0682	0010 - 9999	4610302080	4610302081
SUPER 1600-1, SUPER 1800-1	0782	0010 - 9999	4610302084	4610302086
SUPER 1600-1 EP, SUPER 1800-1 EP	0982	0010 - 9999	4610302084	4610302086
SUPER 1600-2, SUPER 1800-2 (SJ)	1182	0010 - 9999	4610302084	4610302086
SUPER 1600-3 (i)	1582	0010 - 9999	2332089	2335404
SUPER 1800	0668	0010 - 1572	4610302084	4610302086
		1573 - 9999	4610302132	4610302133
SUPER 1800-3 (i)	1482	0010 - 9999	4610302084	4610302086
SUPER 1900, SUPER 2100	0619	0010 - 9999	4610302130	4610302101
SUPER 1900-2, SUPER 2100-2	0719	0010 - 9999	2252658	2056009
SUPER 2100-2 IP	0719	0727 - 9999	2252658	2056009
SUPER 1900-3 (i), SUPER 2100-3 (i)	0819	0010 - 9999	2252658	2056009
SUPER 2500	0674	0010 - 9999	4610302096	4610302098
SUPER 3000-2	0874	0010 - 9999	2120854	2120878
VISION 5100-2	1382	0010 - 9999	Fluted	2068496
			Slicks	2375795
VISION 5200-2	0774	0010 - 9999		2041065
VISION 5200-2 (i)	0974	0010 - 9999		2041065
MT 1000-1	01MT	0017 - 9999	4610302103	4610302095
MT 3000-2	0761	0010 - 9999	2252658	2056009



# ORIGINAL VÖGELE CRAWLER TRACK PADS

Vögele road pavers are real powerhouses. It takes an undercarriage with a strong grip to convert their high engine power into optimum traction. Every centimetre of ground contact counts here. And the right rubber compound. Vögele uses track shoes with rubber pads of premium quality to meet their high standards.

Compared with imitated track shoes, original Vögele shoes yield clearly higher values in terms of tensile strength, resistance to abrasion, ultimate strain and resistance to tear propagation. Vögele rubber pads stand out through a long service life due to a larger volume of solid rubber material.



- 1** The tapered shape of the track pad ensures excellent running properties and high tensile strength.
- 2** The special rubber compound ensures best traction and maximum pulling power.
- 3** The flat forging plate ensures a significantly better substrate adhesion of the rubber pad.
- 4** The rubber pads are fitted with maximum adhesive strength on the steel plate.
- 5** High-strength special bolts and nuts ensure a durable threaded connection.

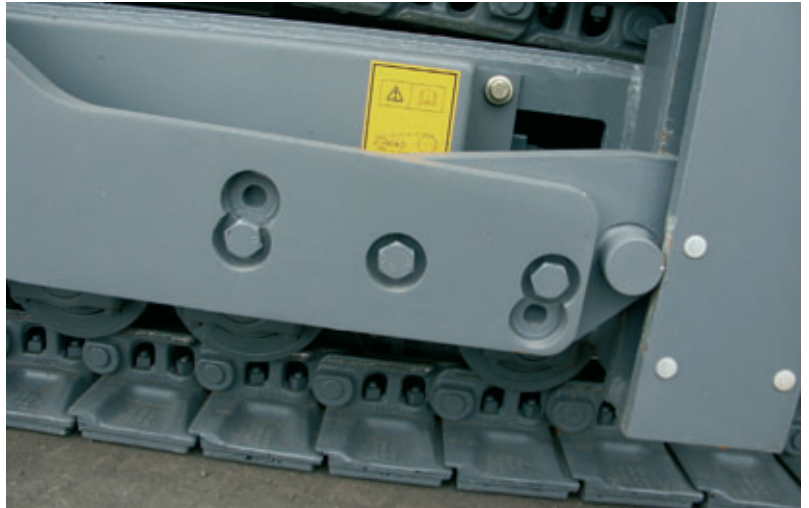
Machine type	Model	Series range	Quantity	Track pad kit (contains track pad with 4 nuts and bolts)
SUPER BOY	0690	0010 - 9999	68	4624701852
SUPER 600, SUPER 700, SUPER 800	0790	0010 - 9999	66	4624701852
SUPER 1100-2, SUPER 1300-2	0811	0010 - 9999	76	2027949
SUPER 1100-3 (i), SUPER 1300-3 (i)	1011	0010 - 9999	76	2027949
SUPER 1400	0612	0010 - 9999	90	2027949
SUPER 1500	0663, 0670	0010 - 9999	84	2028019
SUPER 1600	0664	0010 - 9999	84	2028019
	0672	0010 - 9999	86	2028019
SUPER 1600-1, SUPER 1800-1	0782	0010 - 9999	92	2028019
SUPER 1600-1 EP, SUPER 1800-1 EP	0982	0010 - 9999	92	2028019
SUPER 1600-2, SUPER 1800-2 (SJ)	1182	0010 - 9999	92	2028019
SUPER 1600-3 (i)	1582	0010 - 9999	82	2028019
SUPER 1800	0668	0010 - 1572	92	2028019
		1573 - 9999	94	2028019
SUPER 1800-3 (i)	1482	0010 - 9999	92	2028019
SUPER 1900, SUPER 2100	0619	0010 - 9999	98	2028019
SUPER 1900-2, SUPER 2100-2	0719	0010 - 9999	98	2323252
SUPER 2100-2 IP	0719	0727 - 9999	98	2323252
SUPER 1900-3 (i), SUPER 2100-3 (i)	0819	0010 - 9999	98	2323252
SUPER 2500	0674	0010 - 9999	108	2027993
SUPER 3000-2	0874	0010 - 9999	108	2027993
MT 1000-1	01MT	0017 - 9999	100	2028019
MT 3000-2	0761	0010 - 9999	98	2028019



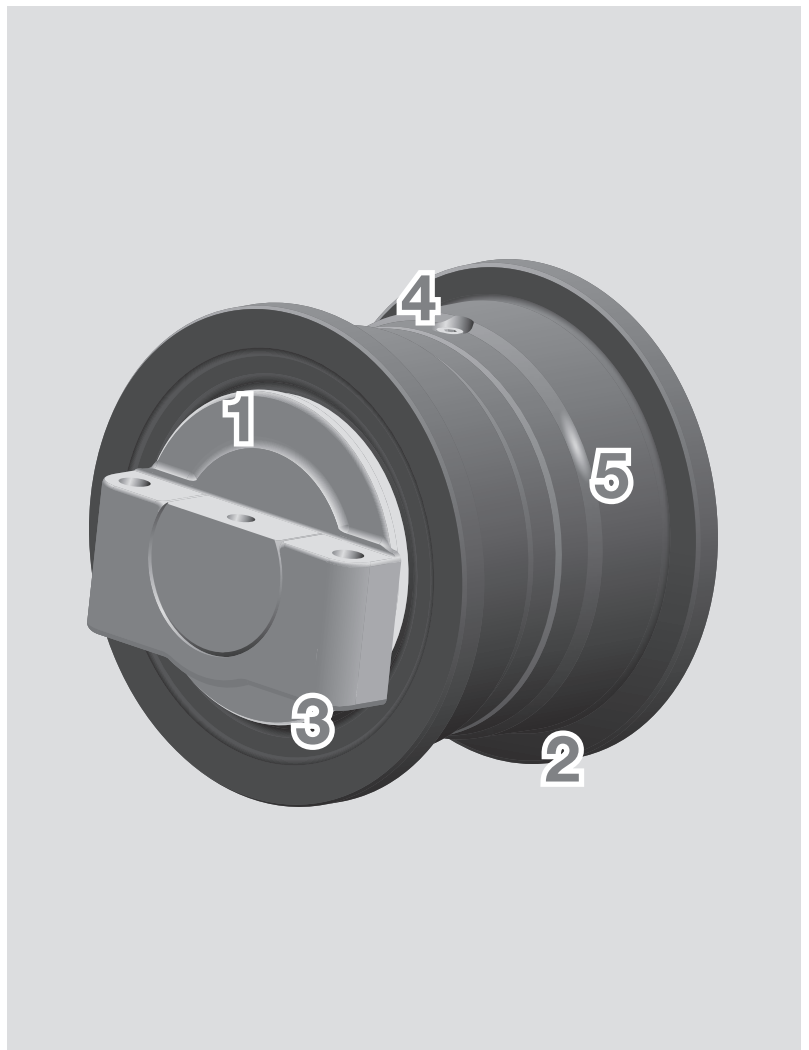
# ORIGINAL VÖGELE TRACK ROLLERS

In order to allow positive and reliable tracking even under highest strain, the track rollers are of rugged design and feature a perfect fit.

Due to the high strength of the track rollers, expanding of bushes is positively avoided. Thanks to lifetime grease lubrication, no servicing is required.



- 1** The high-quality ball bearings withstand the high loads safely.
- 2** The ideal shape and location of the track roller lead to an optimal guidance of the roller track.
- 3** The wear-resistant seals avoid burdensome maintenance.
- 4** The roller bodies are differently hardened, which ensures maximum wear resistance.
- 5** The hardness of the track rollers and track links is fine-tuned in order to achieve maximum wear life of both components.



Machine type	Model	Series range	Quantity	Ø (mm)	Part No.
SUPER 600, SUPER 700, SUPER 800	0790	0010 - 9999	12	130	2013745
SUPER 1100-2, SUPER 1300-2	0811	0010 - 9999	14	135	4611340027
SUPER 1100-3 (i), SUPER 1300-3 (i)	1011	0010 - 9999	14	135	2307941
SUPER 1400	0612	0010 - 9999	16	135	4611340027
SUPER 1500	0663, 0670	0010 - 9999	10	150	4611340042
			6	180	4611340029
SUPER 1600	0664, 0672	0010 - 9999	10	150	4611340042
			6	180	4611340029
	0682	0010 - 9999	10	150	4611340028
			6	180	4611340029
SUPER 1600-1, SUPER 1800-1	0782	0010 - 9999	10	150	4611340028
			6	180	4611340029
SUPER 1600-1 EP, SUPER 1800-1 EP	0982	0010 - 9999	10	150	4611340028
			6	180	4611340029
SUPER 1600-2, SUPER 1800-2 (SJ)	1182	0010 - 9999	10	150	4611340028
			6	180	4611340029
SUPER 1600-3 (i)	1582	0010 - 9999	10	150	4611340028
			6	180	4611340029
			4		2306186
SUPER 1800	0668	0010 - 9999	8	150	4611340028
			10	180	4611340029
SUPER 1800-3 (i)	1482	0010 - 9999	10	150	4611340028
			8	180	4611340029
			4		2306186
SUPER 1900, SUPER 2100	0619	0010 - 9999	12	150	4611340028
			8	180	4611340029
SUPER 1900-2, SUPER 2100-2	0719	0010 - 9999	12	150	2038734
			8	180	2038715
SUPER 1900-3 (i), SUPER 2100-3 (i)	0819	0010 - 9999	14	150	2038734
			8	180	2038715
			6	98	2199919
SUPER 2100-2 IP	0719	0727 - 9999	12	150	2038734
			8	180	2038715
SUPER 2500	0674	0010 - 9999	22	180	4611340029
SUPER 3000-2	0874	0010 - 9999	16	180	2038715
			6	180	2133094
VISION 5100-2	1382	0010 - 9999	24	270	2080543
VISION 5200-2	0774	0010 - 0146	24	300	2062372
		0147 - 9999	24	300	2184765
VISION 5200-2 (i)	0974	0010 - 9999	24	300	2184765
MT 1000-1	01MT	0017 - 9999	18	180	4611340029
			4	105	4617090001
		0026 - 9999	4	Plastic cover	2013503
MT 3000-2	0761	0010 - 9999	8	180	2038715
			12	180	2149095





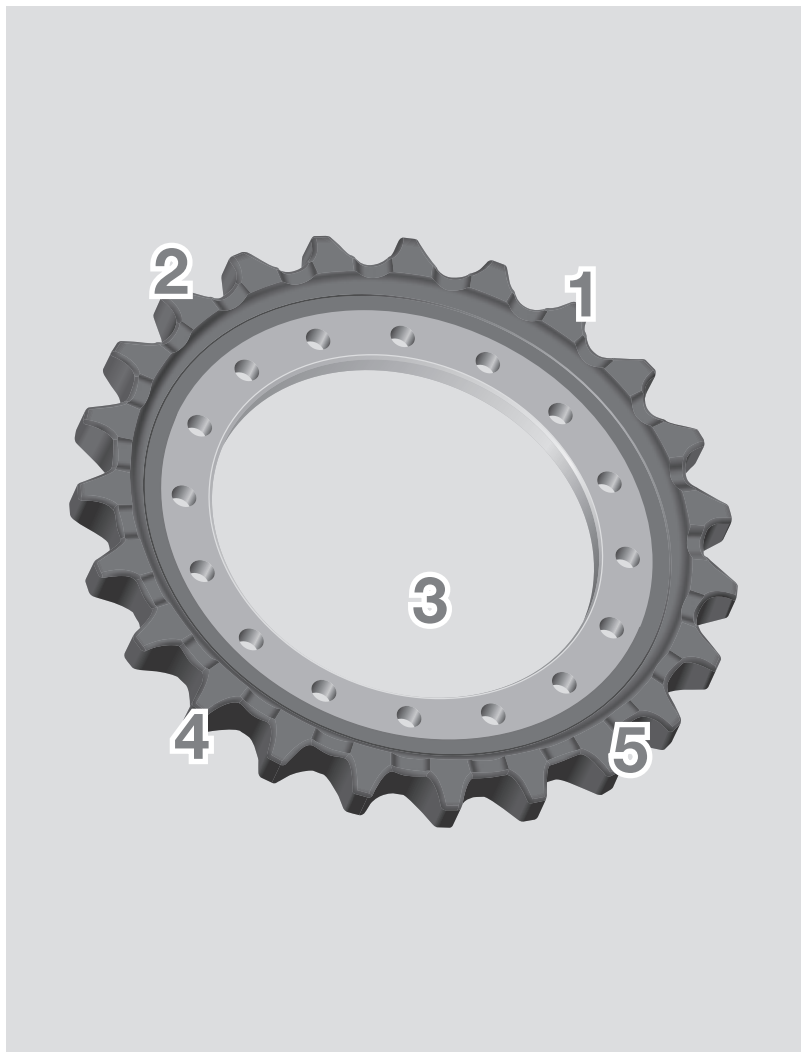
# ORIGINAL VÖGELE SPROCKETS

In all tracked Vögele pavers, the drive units are incorporated into the sprockets. This allows to transmit engine power to the tracks the best way and translate it into high tractive effort.

The drive wheel transmits the driving energy from the respective hydraulic motor through the gearbox to the crawler track, so that it acts in the crawler track, rotates, and so the crawler unit is set in motion.



- 1** Exact positioning of the drive wheels through machined mating surfaces.
- 2** The tooth divisions of the track and drive wheel are matched accurately to one another.
- 3** The entire drive gear is built for optimal efficiency of the undercarriage.
- 4** The large surface hardening, hardening depth and core hardness ensure particularly high wear and breakage resistance.
- 5** The tooth hardness of the drive wheels is tuned to achieve the best possible service life for the entire drive system.



Machine type	Model	Series range	Part No.
SUPER 600, SUPER 700, SUPER 800	0790	0010 - 9999	2013454
SUPER 1100-2, SUPER 1300-2	0811	0010 - 9999	2043368
SUPER 1100-3 (i), SUPER 1300-3 (i)	1011	0010 - 9999	2043368
SUPER 1400	0612	0010 - 9999	4610042039
SUPER 1500	0670	0010 - 9999	4610042038
SUPER 1600	0672	0010 - 9999	4610042038
	0682	0010 - 9999	4610042047
SUPER 1600-1, SUPER 1800-1	0782	0010 - 9999	4610042048
SUPER 1600-1 EP, SUPER 1800-1 EP	0982	0010 - 9999	4610042048
SUPER 1600-2, SUPER 1800-2 (SJ)	1182	0010 - 9999	4610042048
SUPER 1600-3 (i)	1582	0010 - 9999	2331885
SUPER 1800	0668	0010 - 1572	4610042038
		1573 - 9999	4610042048
SUPER 1800-3 (i)	1482	0010 - 9999	4610042048
SUPER 1900, SUPER 2100	0619	0010 - 9999	4610042048
SUPER 1900-2, SUPER 2100-2	0719	0010 - 9999	2038741
SUPER 2100-2 IP	0719	0727 - 9999	2038741
SUPER 1900-3i, SUPER 2100-3i	0819	0010 - 9999	2038741
SUPER 2500	0674	0010 - 9999	4610042042
SUPER 3000-2	0874	0010 - 9999	2115904
VISION 5100-2	1382	0010 - 9999	2080552
VISION 5200-2	0774	0010 - 9999	2045214
VISION 5200-2 (i)	0974	0010 - 9999	2216498
MT 1000-1	01MT	0017 - 0025	4610062233
		0026 - 9999	2013509
MT 3000-2	0761	0010 - 9999	2038741



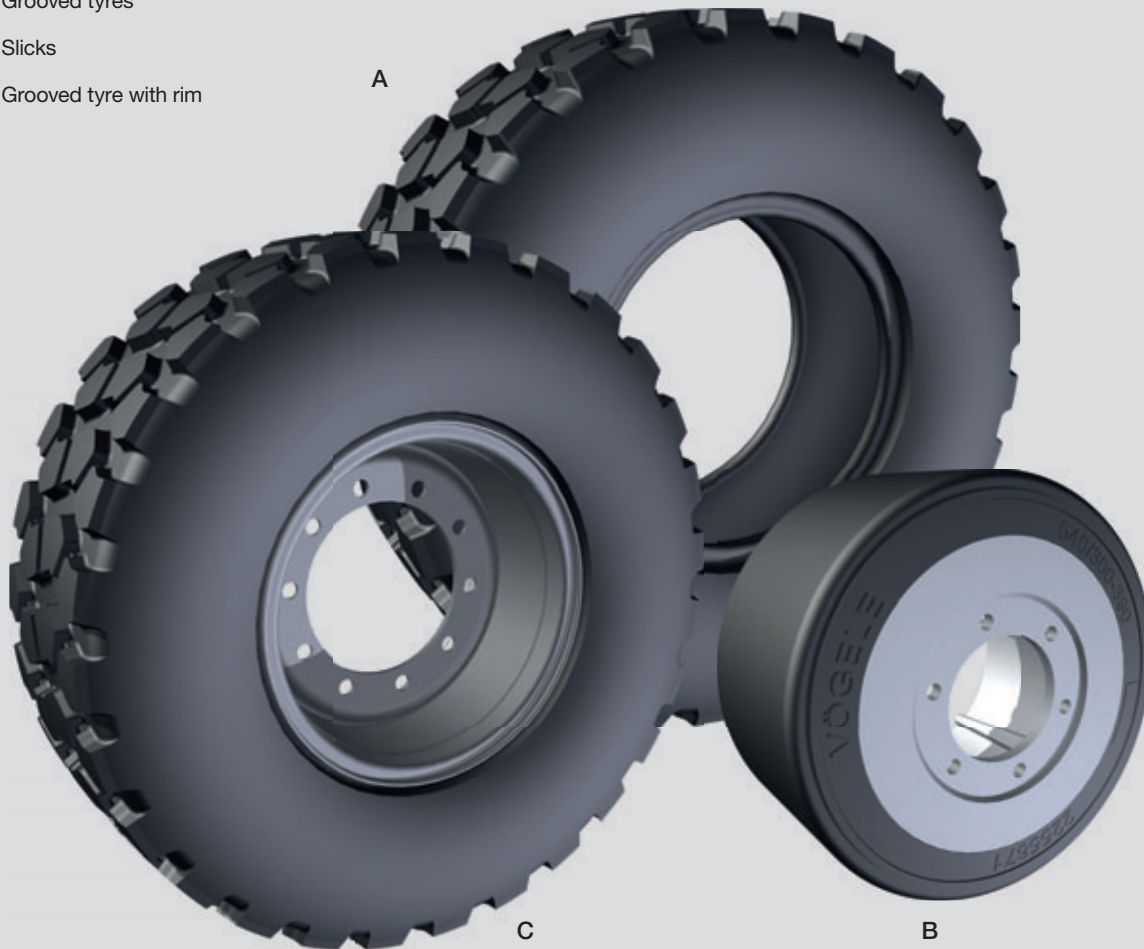
# ORIGINAL VÖGELE WHEELS AND TYRES

On road pavers, highest demands are made in terms of manoeuvrability, smooth running and tractive effort. In order to guarantee this on any terrain and in all weather conditions Vögele, together with renowned suppliers, have optimised tyres for their pavers to meet these demands.

The users' benefits are smooth running, high tractive effort and long service lives of both tyres and undercarriage.



- A Grooved tyres
- B Slicks
- C Grooved tyre with rim





Close to  
our customers

Machine type	Model	Series range	Position	Description	Version front wheel	Quantity	Part No.
SUPER 1103-2, SUPER 1303-2	0911	0010 - 9999	Front without front wheel drive	Wheel complete		4	4606162067
			Front with front wheel drive 6x4	Wheel complete	1. front axle	2	4606162067
					2. front axle	2	4606162070
			Rear	Wheel complete		2	2045376
		Tyre			2	2045375	
		0222 - 9999	Rear	Wheel complete with water filling		2	2111933
SUPER 1103-3 (i), SUPER 1303-3 (i)	1111	0010 - 9999	Front without front wheel drive	Wheel complete		4	4606162067
			Front with front wheel drive 6x4	Wheel complete	1. front axle	2	4606162067
					2. front axle	2	4606162070
			Rear	Wheel complete		2	2045376
				Tyre without rim		2	2045375
			Rear	Wheel complete with water filling		2	2111933
SUPER 1402	0611	0010 - 9999	Front	Wheel complete		2	4606162051
				Tyre		4	4924170230
			Rear	Wheel complete		2	4602302058
				Tyre		2	4602302057
SUPER 1502	0671	0010 - 9999	Front	Wheel complete		2	4606162031
				Tyre		4	4924170230
			Rear	Wheel complete		2	4602302030
				Tyre		2	4602302063



# ORIGINAL VÖGELE WHEELS AND TYRES

Machine type	Model	Series range	Position	Description	Version front wheel	Quantity	Part No.
SUPER 1603	0673, 0683	0010 - 9999	Front without front wheel drive	Wheel complete		4	4606162020
				Tyre		8	4924170230
			Front with front wheel drive 6x4	Wheel complete	1. front axle	2	4606162020
					2. front axle	2	4606162061
	Tyre		8	4924170230			
		0673	0010 - 9999	Rear	Wheel complete		2
	Tyre					2	4602302063
	0683	0010 - 9999	Rear	Wheel complete		2	4602302071
Tyre					2	4602302072	
SUPER 1603-1, SUPER 1803-1	0783	0010 - 9999	Front without front wheel drive	Wheel complete		4	4602302086
			Front with front wheel drive 6x4	Wheel complete		4	4602302086
			Front with front wheel drive 6x6	Wheel complete		4	4602302086
			Rear	Wheel complete		2	4602302084
				Tyre		2	4602302072
SUPER 1603-2, SUPER 1803-2	0883	0010 - 9999	Front without front wheel drive	Wheel complete		4	4602302086
			Front with front wheel drive 6x4	Wheel complete		4	4602302086
			Front with front wheel drive 6x6	Wheel complete		4	4602302086
			Rear	Wheel complete		2	4602302084
				Tyre		2	4602302072
SUPER 1603-3 (i)	1183	0010 - 9999	Front without front wheel drive	Wheel complete		4	2255671
			Front with front wheel drive 6x4	Wheel complete		4	2255671
			Front with front wheel drive 6x6	Wheel complete		4	2255671
			Rear	Wheel complete		2	2355218
				Tyre		2	2355217





Close to our customers

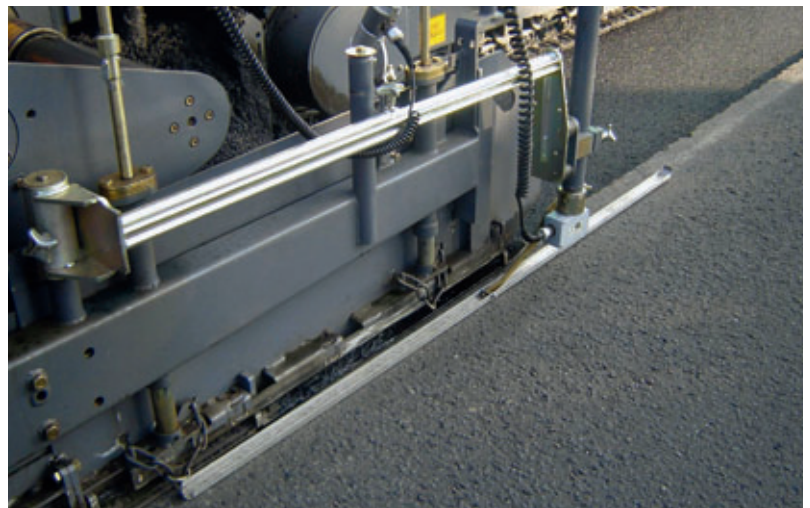
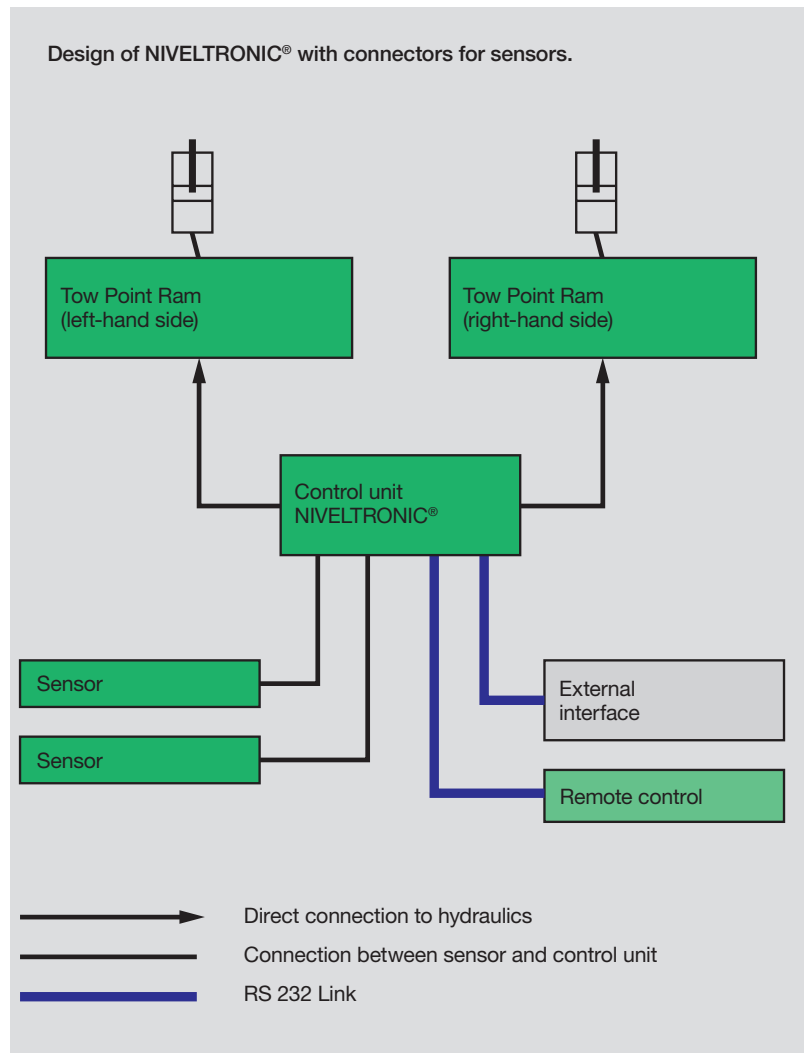
Machine type	Model	Series range	Position	Description	Version front wheel	Quantity	Part No.
SUPER 1803-3 (i)	1083	0010 - 9999	Front without front wheel drive	Wheel complete		4	2255671
			Front with front wheel drive 6x4	Wheel complete		4	2255671
			Front with front wheel drive 6x6	Wheel complete		4	2255671
			Rear	Wheel complete		2	2273440
				Tyre		2	4602302072
VISION 5103-2	0983	0010 - 9999	Front without front wheel drive	Wheel complete		4	4602302086
			Front with front wheel drive 6x4	Wheel complete		4	4602302086
			Rear	Wheel complete		2	2080476
				Tyre		2	2080477
VISION 5203-2	0775	0010 - 9999	Front without front wheel drive	Wheel complete		4	4602302086
			Front with front wheel drive 6x4	Wheel complete		4	4602302086
			Front with front wheel drive 6x6	Wheel complete		4	4602302086
			Rear	Wheel complete		2	2075841
				Tyre		2	2047732
VISION 5203-2, VISION 5203-2i	0875	0010 - 9999	Front without front wheel drive	Wheel complete		4	4602302086
			Front with front wheel drive 6x4	Wheel complete		4	4602302086
			Front with front wheel drive 6x6	Wheel complete		4	4602302086
			Rear	Wheel complete		2	2075841
				Tyre		2	2047732



# ORIGINAL VÖGELE LEVELLING SYSTEMS FOR ROAD PAVERS

## NIVELTRONIC®

- Of modular design (which allows to add options later and to combine components in many different ways).
- Installs easily and quickly (due to compact-sized system components).
- Recognises automatically whether a sensor is connected and, if so, what type of sensor it is (thanks to microprocessor technology).
- Stores all specific process data until changed (which allows to switch off NIVELTRONIC® grade and slope control at any time without loss of data. When switched off while paving, the current system status is stored in a buffer from where it will be retrieved and displayed as soon as NIVELTRONIC® is switched back on.)
- Programs easily and quickly (set-up of grade and slope easily accomplished on a single handset with keypad and LC display. An advantage above all in places where grade and slope values change continuously as they do, for instance, in an elevated bend).
- Features quick grasp and prompt response (due to high sensitivity of control circuits).
- Levels out irregularities with always the same high accuracy.
- Has interface capability with a laser-based navigation system (thanks to digital electronics).
- Is compatible with any road paver featuring electro-hydraulic control of grade and slope.



### NIVELTRONIC® Plus

Perfect match between paver and grade and slope control system NIVELTRONIC® Plus offered by Vögele for automated grade and slope control is a unique system providing the basis for efficient paving true to line and level on any kind of base.

NIVELTRONIC® is an in-house development of Vögele and based on many years of experience with grade and slope control technology. The latest Vögele development is now available in the form of NIVELTRONIC® Plus – the perfect solution for all grade and slope control jobs in terms of easy handling, quality and reliability.

NIVELTRONIC® Plus, a fully integrated system, offers the advantage that the paver's machine technology matches the grade and slope control system perfectly. All wiring and connections are integrated into the tractor unit and screed, thus eliminating any risk of damage.

As a typical Vögele feature, the focus is on the operator. NIVELTRONIC® Plus has been developed with the user in mind and great importance has been attached to easy and user-friendly handling. All set-up can be carried out from the clearly-laid-out screwman's console. Within a very short time, screwmen get fully familiar with all vital NIVELTRONIC® functions and their positive handling. As NIVELTRONIC® Plus is integral part of the paver's control system, extra instructions or training is not required.

1 Referencing from a tensioned wire with sonic grade sensor



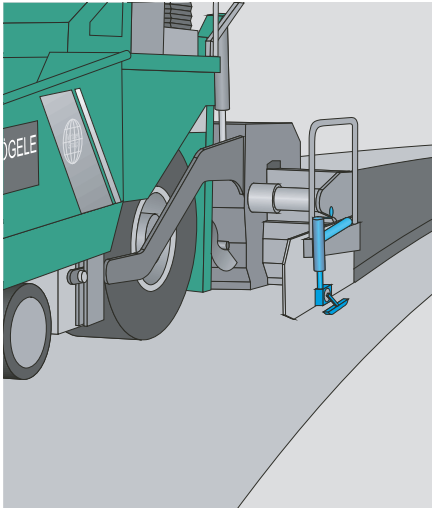
1

It goes without saying that Vögele offer a wide and practical selection of sensors for most varied use of NIVELTRONIC® Plus. No matter whether your job is car park, roundabout or highway construction, Vögele have the right sensor for each field of application. Note as a very practical feature: NIVELTRONIC® Plus recognises automatically all sensors connected, thus enabling users to easily and quickly carry out set-up.

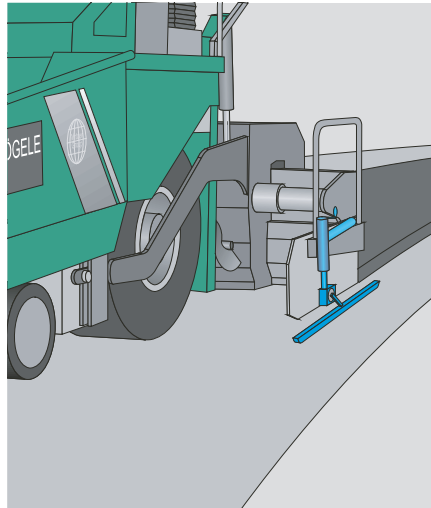
### The advantages at a glance:

- Unique: Automated grade and slope control supplied directly by the paver manufacturer. Machine technology and grade and slope control are perfectly matched, thus ensuring excellent pavement results.
- Wiring and connections are integrated into tractor unit and screed.
- Wide and varied selection of sensors permitting use of NIVELTRONIC® Plus in all fields of applications.
- Automatic recognition of sensors connected for easy and quick set-up.
- Particularly easy, user-friendly control and monitoring of all NIVELTRONIC® Plus functions.
- Logical, self-explanatory symbols neutral in language support quick learning of all functions.
- NIVELTRONIC® Plus, fully integrated into the paver's control system, does not require any extra training for handling.

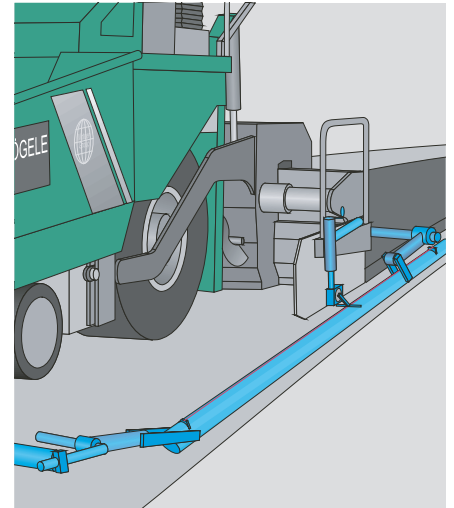
# ORIGINAL VÖGELE LEVELLING SYSTEMS FOR ROAD PAVERS



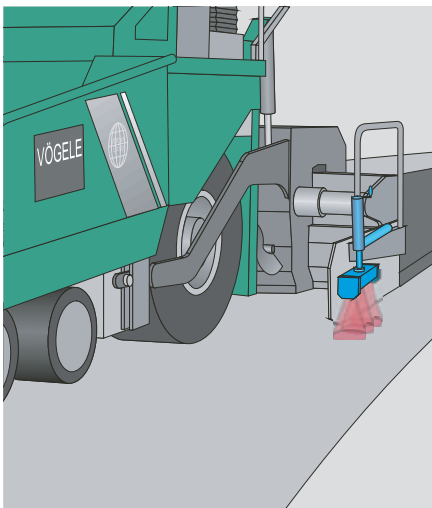
Referencing with mechanical grade sensor and short ski (0.35 m). Ideal in tight curves or used for deliberately copying irregularities from the base.



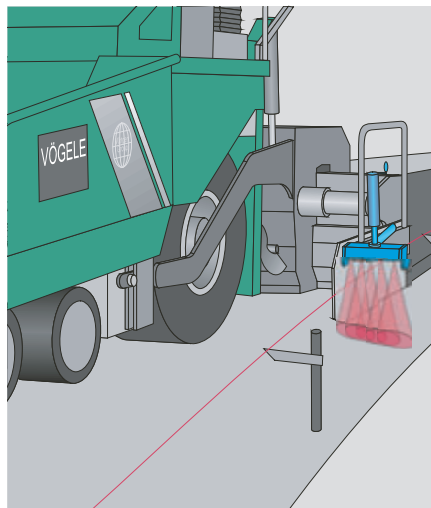
Referencing with mechanical grade sensor and long ski (1 m). Used when paving large bends or straight sections.



Referencing with averaging beam sensor (7 m). Ideal when paving surfaces requiring high evenness.



Sonic grade sensor working in ground mode. Three sound cones are emitted, reflected by the base and used to determine the distance between sensor and base. The distance is signalled to NIVELTRONIC® grade and slope control.



Sonic grade sensor working in string-line mode. Five sound cones are emitted and the shortest reflected signal (stringline) is sent to NIVELTRONIC® grade and slope control.



1

1 Referencing with mechanical grade sensor and ski.



**NIVELTRONIC® Plus  
Screwman's console**

The Vögele NIVELTRONIC® Plus system stands out through convenient set-up and easy use. As a wide selection of sensors is available, the system perfectly matches most varied requirements – a vital precondition to handle high-quality paving jobs impeccably and economically.

The particularity about NIVELTRONIC® Plus is its easy handling and the clear arrangement of its display. Each screwman's console has access to both sides of the screed. For this purpose, the screen is divided into two sections – on the left you find information and can carry out set-up for the left-hand side of the screed, on the right you can do the same for the right-hand side.



**NIVELTRONIC®  
Handset**

The handset serves for entry of specified grade and slope as well as for constantly monitoring conformity with the specified values.

A single handset controls and monitors the two tow point rams, left and right sides. The light-weight handset comes with a sturdy shock-proof housing.

Large LC display, easy to read under any job site conditions, informs at a glance about tow point ram movements.

The handset with film keypad is designed for the hostile environment of a road building site. Guided by a very simple menu, operators easily perform accurate control and monitoring of all NIVELTRONIC® functions.



**NIVELTRONIC®  
SC (Single channel)**

This is a "lean" version of NIVELTRONIC®, the Vögele system for grade and slope control. Specially offered for the mini paver SUPER 600, SUPER 700 and small paver SUPER 800.



# ORIGINAL VÖGELE COMPONENTS OF THE LEVELLING SYSTEM

## **NIVELTRONIC®**

### **Control unit**

The control unit works fully automatically. It continuously compares specified values with actual values picked up by the sensors. Any deviation from specified values is followed by correction of the screed's tow points.

## **NIVELTRONIC®**

### **Sonic grade sensor**

The sonic sensor can be used for tracing any kind of reference whether tensioned wire, kerbstone or previously laid adjacent lane. It measures the distance to the reference by means of sound pulses. Whenever the distance changes due to irregularities in the base, deviations from specified grade are signalled to NIVELTRONIC®'s control unit for correction.

The sensing element is provided with a total of 6 sensors, 5 of them picking up the elevation and 1 determining the sound velocity which is subject to temperature changes. From measurements, a mean value is calculated which ensures optimum levelling accuracy at all times. Obstacles like, for instance, a stone the size of a fist are recognised and ignored.

## **NIVELTRONIC®**

### **Mechanical grade sensor with ski or bow**

The ski is ideally suited for direct referencing from a kerb or a previously laid adjacent lane. Where direct referencing is not possible, the bow may be used for tracing an averaging beam or tensioned wire.





**NIVELTRONIC®  
Slope sensor**

The slope sensor is a kind of electronic spirit level. The sensor continuously picks up actual slope and passes on data to the control unit of NIVELTRONIC®. Easy entry of specified slope on keypad of handset. The tolerance range of the electronic precision instrument is  $\pm 0.05\%$ .

**NIVELTRONIC®  
Big MultiPlex Ski**

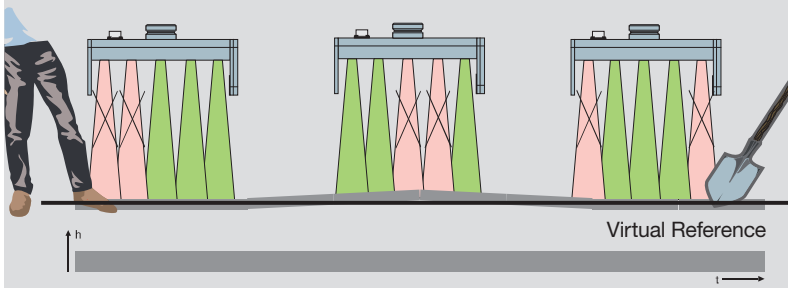
The Big MultiPlex Ski translates the advantages of the well-proven Vögele sonic grade sensor onto a greater length. Three sonic sensors fitted to the Big MultiPlex Ski cover a distance up to 13 m. The Big MultiPlex Ski stands out through versatility and is designed for levelling out any kind of irregularity. By calculating an average from values picked up by several sensors, even long irregularities are compensated without problems. When working with a single sensor, these would not be recognised as a fault.



**NIVELTRONIC®  
Laser receiver**

When using a laser receiver for grade and slope control, the elevation of the screed is determined by receiving laser beams emitted by a laser unit. The Vögele laser receiver is ideal, above all, when it comes to paving large surfaces with constant grade and slope (such as stadiums, car parks, container storage areas etc.). The rotating beam emitted by the laser unit creates a perfect plane picked up by the laser receiver fitted to the screed arm. The laser plane serves as a virtual reference which is independent of physical base conditions.

The Big MultiPlex Ski comes with 3 sonic grade sensors. Each of them has 5 sensing cells picking up actual values over a length of 28 cm. For calculating an average, however, only three measurements are used out of five, in fact those showing the smallest deviation from the value specified.



# THE COMPLETE DELIVERY RANGE OF THE ORIGINAL VÖGELE NIVELTRONIC® AND NIVELTRONIC® PLUS COMPONENTS

Machine type	Control unit	Mechanical grade sensor	Ultras. grade sensor	Tilt sensor	Handset	Road scanner / laser head	Big ski
SUPER BOY	2454130036	2457110137		2462560025	2457110117		
SUPER 600, SUPER 700, SUPER 800	2454130106	2472560017	2197266 2076055*	2462560026	2024191 2041684**	2136633	
SUPER 1100-2, SUPER 1300-2		2039585	2197266 2076055*	2462560026	2052116	2136633	
SUPER 1100-3 (i), SUPER 1300-3 (i)		2039585	2197266 2076055*	2090106	2274606	2136633	
SUPER 1103-2, SUPER 1303-2		2039585	2197266 2076055*	2462560026	2052116	2136633	
SUPER 1103-3 (i), SUPER 1303-3 (i)		2039585	2197266 2076055*	2090106	2274606	2136633	
SUPER 1500	2454130029	2457110137		2462560025	2457110117		
SUPER 1502	2454130029	2457110137		2462560025	2457110117		
SUPER 1600	2454130029	2457110137		2462560025	2457110117		
SUPER 1800	2454130029	2457110137		2462560025	2457110117		
SUPER 1600-1, SUPER 1800-1		2472560017	2197266	2462560026	4603014013	2462560032	
SUPER 1600-1 EP, SUPER 1800-1 EP		2472560017	2197266	2462560026	2052116	2462560032	
SUPER 1600-2, SUPER 1800-2, SUPER 1800-2 SJ		2039585	2197266 2076055*	2462560026	2052116 (0010 - 2327) 2134297 (2328 - 9999)	2136633	2069778
SUPER 1600-3 (i)		2039585	2197266 2076055*	2090106	2274606	2136633	2083037
SUPER 1800-3 (i)		2039585	2197266 2076055*	2090106	2274606	2136633	2083037
SUPER 1603-1, SUPER 1803-1		2472560017	2197266	2462560026	4603014013	2462560032	
SUPER 1603-2, SUPER 1803-2		2039585	2197266 2076055*	2462560026	2052116 (0010 - 2327) 2134297 (2328 - 9999)	2136633	2069778

\* Single sensor · \*\* Tilt sensor adapter · \*\*\* If “-3” screed

Machine type	Control unit	Mechanical grade sensor	Ultras. grade sensor	Tilt sensor	Handset	Road scanner / laser head	Big ski
SUPER 1603-3 (i)		2039585	2197266 2076055*	2090106	2274606	2136633	2083037
SUPER 1803-3 (i)		2039585	2197266 2076055*	2090106	2274606	2136633	2083037
SUPER 1804	2454130029	2457110137		2462560025	2457110117		
SUPER 1900, SUPER 2100	2454130106	2472560017	2197266	2462560026	2454130119	2462560032	
SUPER 1900-2, SUPER 2100-2		2039585	2197266 2076055*	2462560026	2052116 (0010 - 1399) 2134297 (1400 - 9999)	2136633	2069778
SUPER 1900-3 (i)		2039585	2197266 2076055*	2090106	2134297 2274606***	2136633	2083037
SUPER 2100-2 IP		2039585	2197266 2076055*	2462560026	2052116 (0010 - 1399) 2134297 (1400 - 9999)	2136633	2069778
SUPER 2100-3 (i)		2039585	2197266 2076055*	2090106	2134297 2274606***	2136633	2083037
SUPER 2500	2454130106	2472560017	2197266 2076055*	2462560026	2010779	2462560032	
SUPER 3000-2		2039585	2197266 2076055*	2090106	2134297	2136633	2069778
VISION 5100-2		2039585	2197266 2076055*	2090106	2067393 2258627		2083037
VISION 5103-2		2039585	2197266 2076055*	2090106	2067393 2258627		2083037
VISION 5200-2		2039585	2197266 2076055*	2462560026	2067393 2258627		2083037
VISION 5200-2 (i)		2039585	2197266 2076055*	2462560026	2067393 2258627		2083037
VISION 5203-2		2039585	2197266 2076055*	2462560026	2067393 2258627		2083037
VISION 5203-2 (i)		2039585	2197266 2076055*	2462560026	2067393 2258627		2083037

\* Single sensor · \*\* Tilt sensor adapter · \*\*\* If “-3” screed

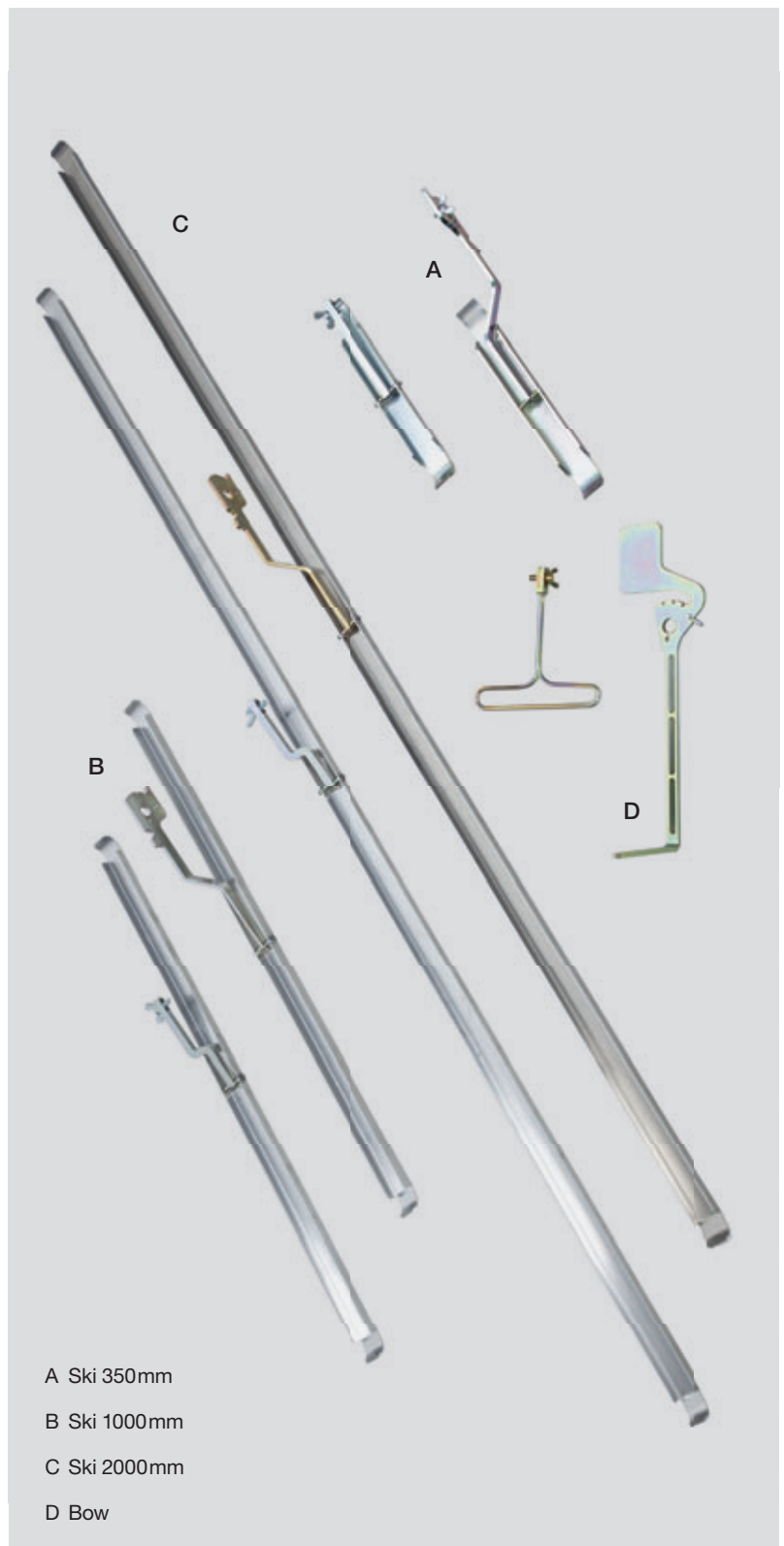
# ORIGINAL VÖGELE ACCESSORIES FOR NIVELTRONIC®

## Ski

For tracing a grade reference. Available in different lengths for universal use.

## Bow

Used in conjunction with the mechanical grade sensor for indirect referencing from a tensioned wire.



- A Ski 350mm
- B Ski 1000mm
- C Ski 2000mm
- D Bow





Close to  
our customers

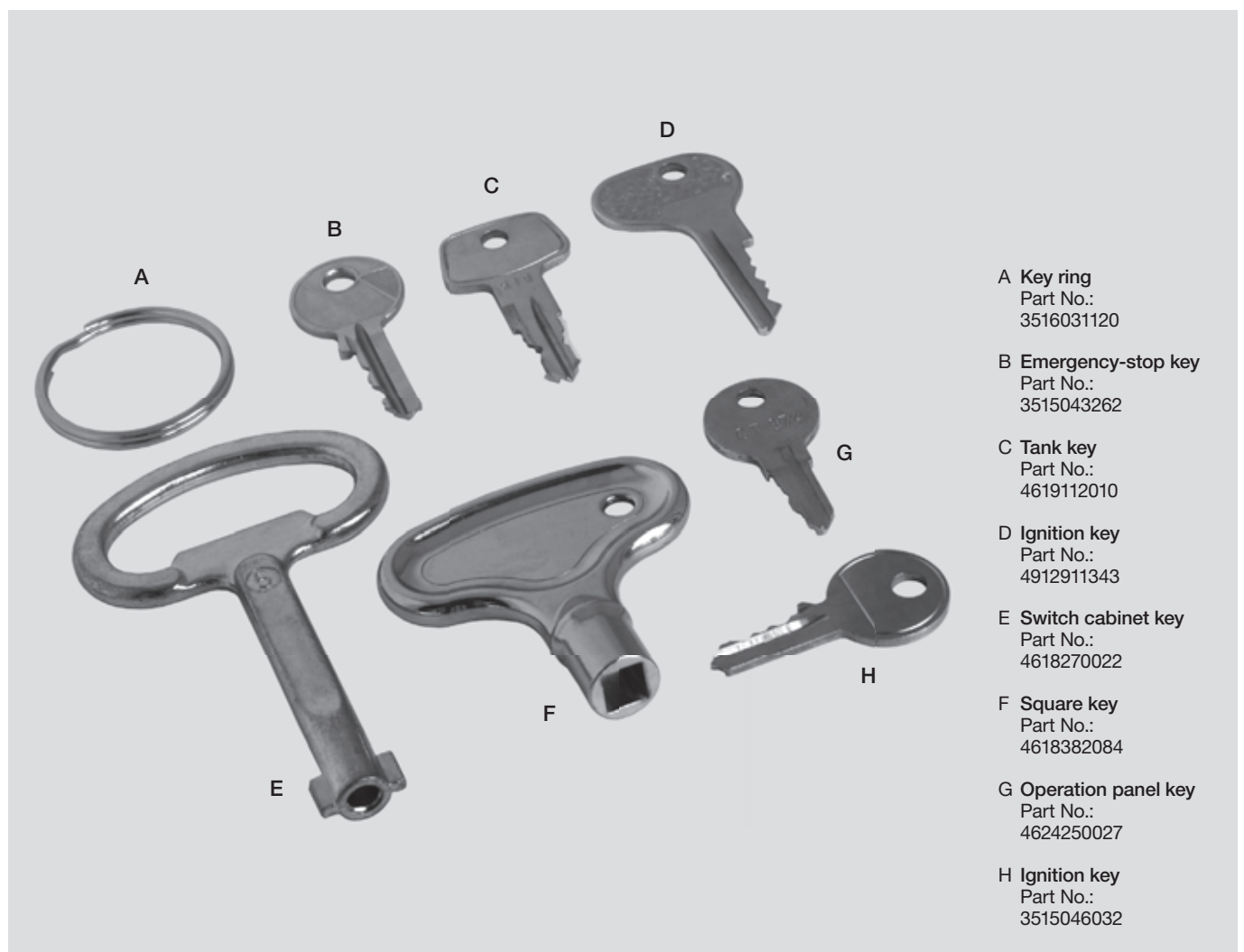
Description	Part No.
Ski sensor 350 mm	2452260014
Ski sensor 350 mm (for variable mechanical grade sensor), NIVELTRONIC® Plus	2042513
Ski sensor 1.0 m	2452260015
Ski sensor 1.0 m (for variable mechanical grade sensor), NIVELTRONIC® Plus	2042514
Ski sensor 2.0 m (for variable mechanical grade sensor), NIVELTRONIC® Plus	2042515
Ski sensor 2.0 m	2452260017
Grade sensor	2452140009
Grade sensor (for variable mechanical grade sensor), NIVELTRONIC® Plus	2042554
Averaging beam 7 m, NIVELTRONIC®	2645940003
Polyester line for stringline (3 mm - 500 m)	2060897
Reel for line, on wheels	2060899
Line holder (50 - 250 mm, mounting every 5 m)	2060728
Cord irons (mounting every 5 m)	2060896
Holder for sonic sensor, complete	2025506
Cable 2.5 m (for grade sensor)	2460770015
Cable 1 m (for slope sensor)	2460770014
Extension cable 4 m	2460770096
RoadScan connecting cable	2460770103
RoadScan control unit	2454130137
Cable 2.5 m (for laser receiver)	2460770015
Pole for laser receiver	2014697
Coiled cable 12-m distributor box – Sonic Ski (Big Ski)	2037422
Coiled cable 6-m distributor box – Sonic Ski (Big Ski)	2037423



# ORIGINAL VÖGELE SPARE KEYS

The available spare keys ensure that every machine operator is able to move the machine anywhere and at any time, and to open locked areas containing elements that need to be protected against vandalism.

If the number of keys supplied as standard is therefore not enough for operating personnel, more keys should be ordered.



Machine type	Ignition key	Emergency-stop key	Operation panel key	Tank key	Square key	Switch cabinet key	Key ring
SUPER BOY	4912911343			4619112010	4618382084	4618270022	3516031120
SUPER 600, SUPER 700, SUPER 800	3515046032			4619112010	4618382084	4618270022	3516031120
SUPER 1100-2, SUPER 1300-2	3515046032			4619112010	4618382084	4618270022	3516031120
SUPER 1100-3, SUPER 1300-3	3515046032			4619112010	4618382084	4618270022	3516031120
SUPER 1103-2, SUPER 1303-2	3515046032			4619112010	4618382084	4618270022	3516031120
SUPER 1103-3, SUPER 1303-3	3515046032			4619112010	4618382084	4618270022	3516031120
SUPER 1600 (0682)	4912911343	3515043262	4624250027	4619112010	4618382084	4618270022	3516031120
SUPER 1600-1, SUPER 1800-1	3515046032			4619112010	4618382084	4618270022	3516031120
SUPER 1600-2, SUPER 1800-2	3515046032			4619112010	4618382084	4618270022	3516031120
SUPER 1600-3 (i)	3515046032			4619112010	4618382084	4618270022	3516031120
SUPER 1603 (0683)	4912911343	3515043262	4624250027	4619112010	4618382084	4618270022	3516031120
SUPER 1603-1, SUPER 1803-1	3515046032			4619112010	4618382084	4618270022	3516031120
SUPER 1603-2, SUPER 1803-2	3515046032			4619112010	4618382084	4618270022	3516031120
SUPER 1603-3 (i)	3515046032			4619112010	4618382084	4618270022	3516031120
SUPER 1800 (0668)	4912911343	3515043262	4624250027	4619112010	4618382084	4618270022	3516031120
SUPER 1800-2 SJ	3515046032			4619112010	4618382084	4618270022	3516031120
SUPER 1800-3 (i)	3515046032			4619112010	4618382084	4618270022	3516031120
SUPER 1803-3 (i)	3515046032			4619112010	4618382084	4618270022	3516031120
SUPER 1804 (0669)	4912911343	3515043262	4624250027	4619112010	4618382084	4618270022	3516031120
SUPER 1900, SUPER 2100	4912911343	3515043262	4624250027	4619112010	4618382084	4618270022	3516031120
SUPER 1900-2, SUPER 2100-2	3515046032			4619112010	4618382084	4618270022	3516031120
SUPER 1900-3 (i), SUPER 2100-3 (i)	3515046032			4619112010	4618382084	4618270022	3516031120
SUPER 2100-2 IP	3515046032			4619112010	4618382084	4618270022	3516031120
SUPER 2500	4912911343		4624250027	4619112010	4618382084	4618270022	3516031120
SUPER 3000-2	3515046032			4619112010	4618382084	4618270022	3516031120
VISION 5100-2	3515046032			4619112010	4618382084	4618270022	3516031120
VISION 5103-2	3515046032			4619112010	4618382084	4618270022	3516031120
VISION 5200-2 (i)	3515046032			4619112010	4618382084	4618270022	3516031120
VISION 5203-2 (i)	3515046032			4619112010	4618382084	4618270022	3516031120
MT 1000-1	4912911343		4624250027	4619112010	4618382084	4618270022	3516031120
MT 3000-2	3515046032			4619112010	4618382084	4618270022	3516031120

# ORIGINAL VÖGELE SERVICE TOOLS

## A Level 4 m

**Part No.: 2034936**

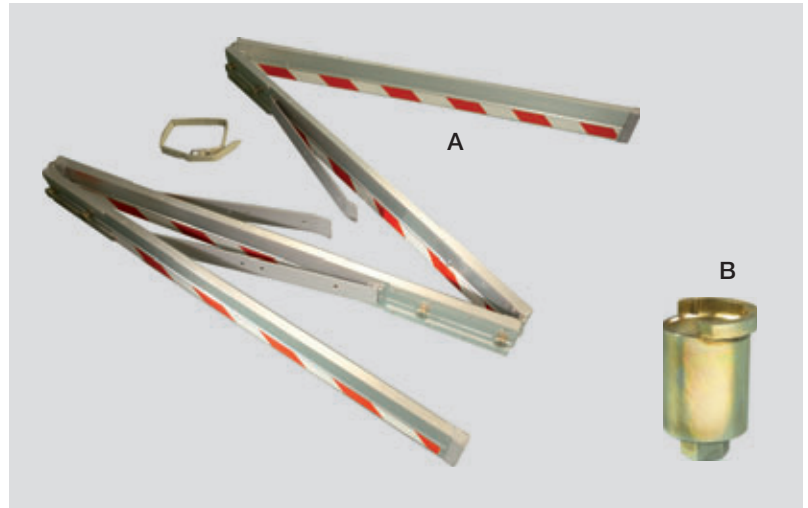
Length of level 4 m, folding down to 1 m,  
90x18 mm, no bubbles.

## B Special socket:

**“hydraulic rams for pressure bar(s)”**

**Part No.: 4618270012**

For unscrewing and tightening up locking nuts  
on hydraulic rams for pressure bars.



## Measuring instrument for layer thickness

**Part No.: 2060727**

Measuring instrument for layer thickness.



## Sirometer

**Part No.: 4612070034**

For measuring, the Sirometer is held to the  
housing of the running machine and will dis-  
play the number of revolutions per minute (in  
1000 steps). The lower scale shows the num-  
ber of vibrations per second, i.e. in hertz.



**A Rod for stake**  
**Part No.: 2060896**

Rod to accommodate stake for stringline.  
Recommended every 5 m.

**B Polyester line**  
**Part No.: 2060897**

Stringline made of polyester, 500 m coil, diameter 3 mm, colour: red.

**C Stake**  
**Part No.: 2060728**

Stake for stringline, distance between stakes 50–250 mm.  
Recommended every 5 m.

**D Reel for line, on wheels**  
**Part No.: 2060899**

Reel to coil up polyester line, easy unwinding.

**E Pulley block with accessories**  
**Part No.: 4624250008**

To grab and clamp the levelling rope, contains beside the pulley block also clamps and shackles.





# ORIGINAL VÖGELE SERVICE TOOL KITS



Close to  
our customers

Profit from our service tool kit and be sure that your machine is ready for operation at all times.

## Service tool kit

**Part No.: 2024590**

Sets of screw drivers and pliers, crimping tool, a variety of switches, sensors and relays, digital measuring equipment pressure gauges etc.



## Electrical service kit

**Part No.: 2052241**

Which part is faulty? Is everything there? With this case, you can be sure of having everything you need. It contains all the standard parts needed to remedy a fault in the electrical system without wasting time.



## O-ring kit

**Part No.: 4614062005**

Leakages in the hydraulic system? Have this well-assorted O-ring kit on hand and be prepared.



# ORIGINAL VÖGELE TOOLS FOR HYDRAULIC SYSTEMS



Close to  
our customers



## Hydraulic connection kit

**Part No.: 2056134**

Every service vehicle and every repair shop should have such a case. It is packed with a clearly laid-out assortment of cutting rings, union nuts, Minimess connections, SAE couplings and all standard couplings.



## Vacuum exhauster/pump

**Part No.: 2008975**

When working on the hydraulic system it is important to prevent oil from passing out. The vacuum exhauster/pump creates a stable pressure column in your hydraulic circuit which allows to carry out repairs with loss of oil reduced to a minimum.

For producing a stable pressure column in the hydraulic system, so that repair work can be carried out without oil escaping – no pollution. For leak testing of the hydraulic system.



# ORIGINAL VÖGELE TOOLS FOR ELECTRICAL SYSTEMS

Conceived by experts for experts. With our tractor units and screeds we rely on premium quality and so do we with our service tools. For only high-quality tools fitting your machine allow quick remedy.

## **A Clip-on ammeter**

**Part No.: 2008516**

For measuring A.C./D.C. from 0.3–700 Amperes, A.C./D.C. voltage from 0–750 Volts, frequency from 0.5–9999 Hz, resistance from 0–4 k $\Omega$  or for carrying out continuity test. With belt pouch.

## **B Infrared temperature measuring instrument**

**Part No.: 2008493**

Non-contacting measurement by infrared sensor. Emittance adjustable for measurement on most various surfaces. Infrared and contacting measurement combined in one instrument. With belt pouch and batteries.

## **C Insulation continuity tester**

**Part No.: 2014661**

For testing the insulation of the screed heating system.

## **D Multimeter Fluke**

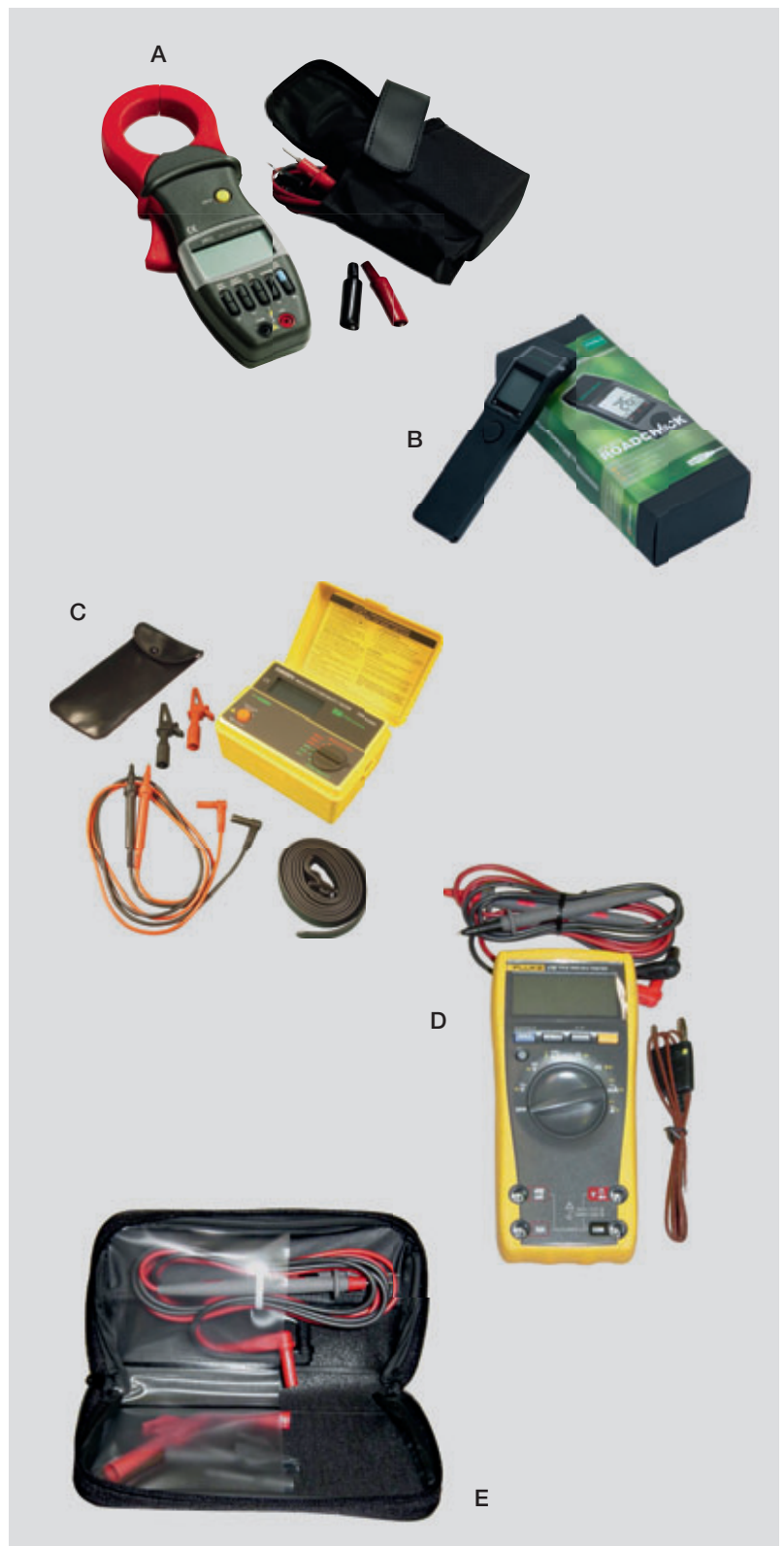
**Part No.: 425191**

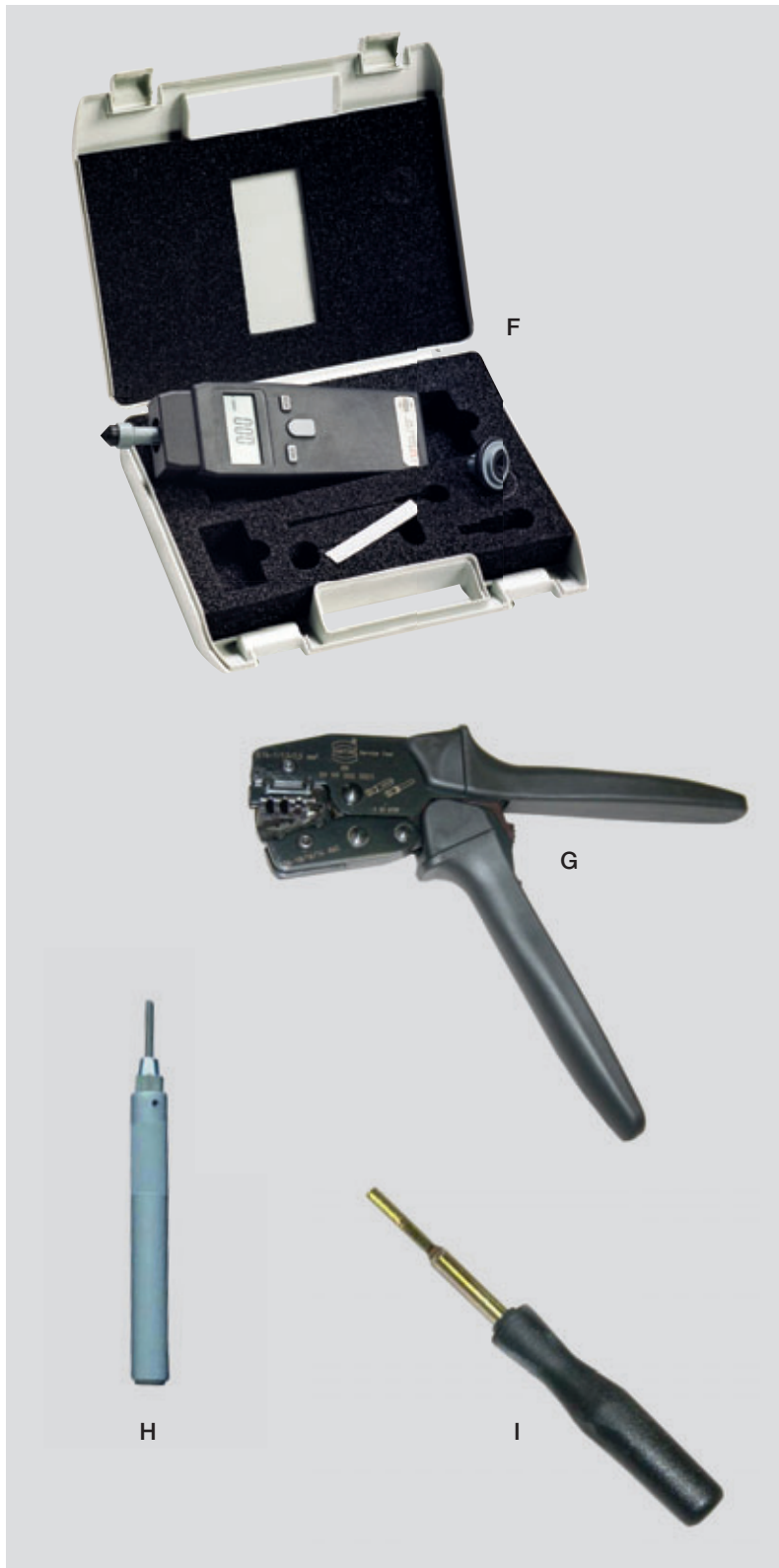
Multi-measuring devices for voltage, ampere, ohm and hertz.

## **E Cable for insulation continuity tester**

**Part No.: 2014662**

Cables and connectors for insulation continuity tester.





**F Hand-held digital speedometer**

**Part No.: 2008504**

For measuring rpm, speed, length. Non-contacting measurement with reflector mark. Slip-on adapter for contacting measurement. Memory. Turns off automatically.

**G Crimping-pliers 0.5–2.5**

**Part No.: 449391**

For crimp connectors 0.5–2.5 mm<sup>2</sup>.

**H Removal tool for crimp contacts**

**Part No.: 437591**

Removal tool for loosening the star-shaped protection of the crimp contacts.

**I Demounting tool for crimp contacts**

**Part No.: 437491**

For demounting the crimp contact's protection.





# ORIGINAL VÖGELE ELECTRICAL AND HYDRAULIC EMERGENCY KITS

## **Avoid downtime and enhance your paver's operational availability**

Nothing is more important than operational reliability of your Vögele paver. Minor faults in your electrical or electronic systems, however, may have major consequences for your Vögele paver's reliability in service.

Original Vögele "Electrical Emergency Kits" contain an assortment of switches, sensors, fuses and control items to quickly fix minor faults.

Original Vögele "Electrical Emergency Kits" avoid downtime and maintain your paver's operational availability.

## **Emergency kit**

### **Part No.: see next page**

Sturdy case with all the most frequently needed electrical and hydraulic components to remedy technical problems directly on the job. The handy kit is supplied with appropriate spare parts for each machine model.



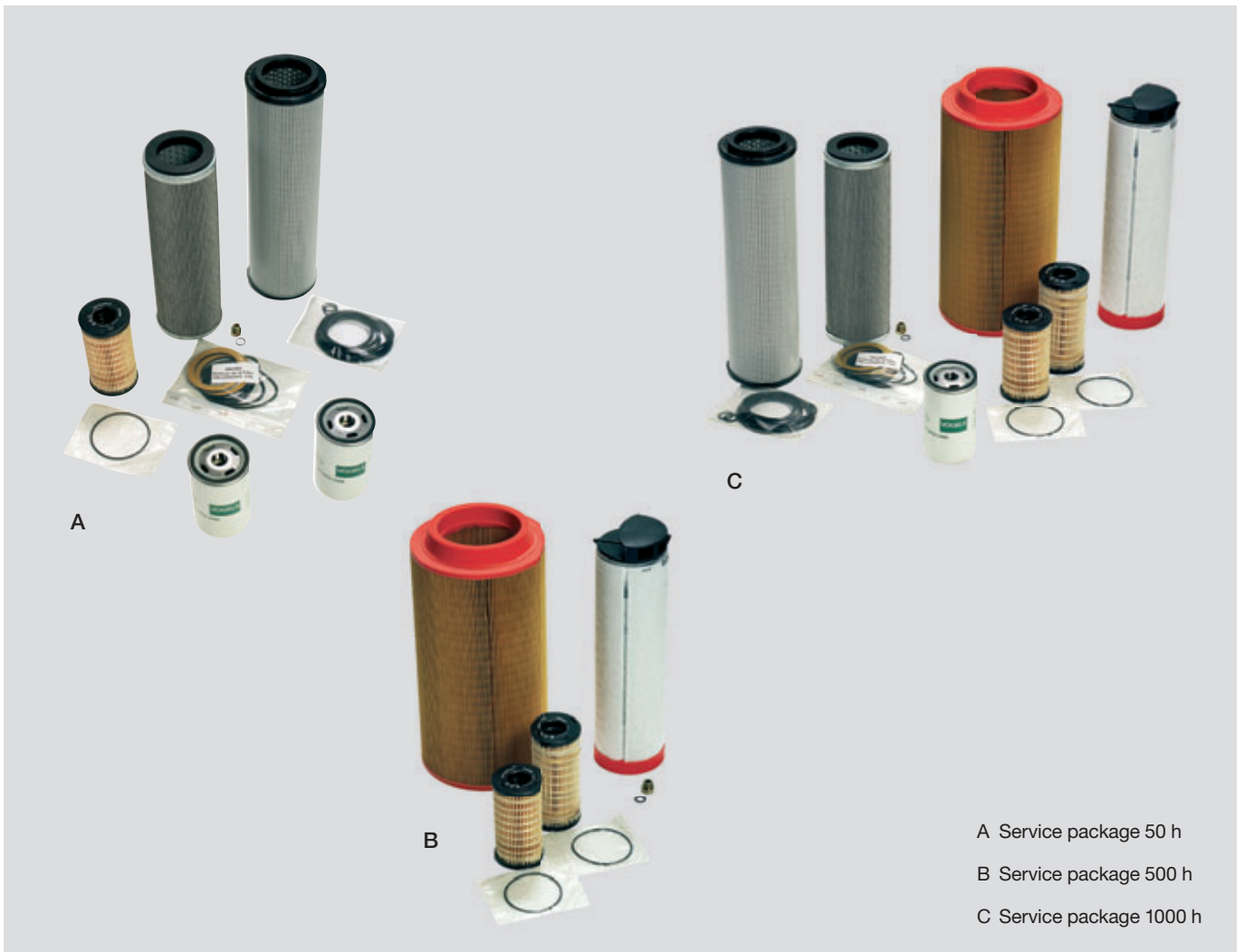


Machine type	Model	Series range	Part No.
SUPER 600, SUPER 700, SUPER 800	0790	0010 - 9999	2055594
SUPER 1100-2, SUPER 1300-2	0811	0010 - 9999	2110715
SUPER 1103-2, SUPER 1303-2	0911	0010 - 9999	2110719
SUPER 1600-1, SUPER 1800-1	0782	0010 - 9999	2055583
SUPER 1600-2, SUPER 1800-2	1182	0010 - 9999	2110709
SUPER 1603-1, SUPER 1803-1	0783	0010 - 9999	2055585
SUPER 1603-2, SUPER 1803-2	0883	0010 - 9999	2110712
SUPER 1800	0668	0010 - 9999	2055593
SUPER 1900, SUPER 2100	0619	0010 - 9999	2055586
SUPER 1900-2, SUPER 2100-2	0719	0010 - 9999	2055491
SUPER 3000-2	0874	0010 - 9999	2164865
SUPER-3 Series		0010 - 9999	2257880
VISION 5100-2, VISION 5103-2	1382, 0983	0010 - 9999	2151111
VISION 5200-2, VISION 5203-2	0774, 0775	0010 - 9999	2101420
VISION 5200-2i, VISION 5203-2i	0974, 0875	0010 - 9999	2101420



# ORIGINAL VÖGELE SERVICE PACKAGES FOR FILTERS

Make use of our service packages offered for paver models and maintenance intervals. They include all filters and seals required.



- A Service package 50 h
- B Service package 500 h
- C Service package 1000 h

Machine type	Model	Series range	Replacement interval		
			50 h	500 h	1000 h
SUPER BOY	0690	0010 - 0060		2028571	2028607
		0061 - 0129		2028571	2028608
		0130 - 0518		2028571	2028609
		0519 - 0629		2028571	2028610
		0630 - 9999		2030979	2030980
SUPER 600, SUPER 700, SUPER 800	0790	0010 - 9999		2033689	2033691
SUPER 1100-2, SUPER 1300-2	0811	0010 - 9999		2069167	2069169
SUPER 1103-2, SUPER 1303-2	0911	0010 - 9999		2069167	2069169
SUPER 1100-3 (i), SUPER 1300-3 (i)	1011	0010 - 9999	2283867	2248324	2248325
SUPER 1103-3 (i), SUPER 1303-3 (i)	1111	0010 - 9999	2283867	2248324	2248325
SUPER 1400	0612	0010 - 0076		2028572	2028611
		0077 - 9999		2028573	2028612
SUPER 1402	0611	0010 - 0038		2028572	2028611
		0039 - 9999		2028573	2028612
SUPER 1500	0670	0010 - 0062		2028577	2028447
		0063 - 9999		2028577	2028392
SUPER 1502	0671	0016 - 0090		2028577	2028347
		0091 - 9999		2028577	2028338
SUPER 1600	0672	0010 - 0083		2028577	2028337
		0084 - 9999		2028577	2028330
	0682	0010 - 0298		2028578	2028329
		0299 - 9999		2028579	2028325
SUPER 1600-1	0782	0010 - 0333		2011361	2011362
		0334 - 9999		2037317	2037318
SUPER 1600-2	1182	0010 - 9999	2052665	2052666	2052667
SUPER 1600-3	1582	0010 - 9999	2343131	2343133	2343135
SUPER 1600-3i	1582	0010 - 9999	2343126	2343128	2343129
SUPER 1603	0673	0010 - 9999		2028577	2028296
	0683	0010 - 0292		2028578	2028286
		0293 - 9999		2028579	2028269

Due to possible technical changes, please always compare with the information in the instruction manual.

# ORIGINAL VÖGELE SERVICE PACKAGES FOR FILTERS

Machine type	Model	Series range	Replacement interval		
			50 h	500 h	1000 h
SUPER 1603-1	0783	0010 - 0241		2011361	2011362
		0242 - 9999		2037317	2037318
SUPER 1603-2	0883	0010 - 9999	2052665	2052666	2052667
SUPER 1603-3	1183	0010 - 9999	2343131	2343133	2343135
SUPER 1603-3i	1183	0010 - 9999	2343126	2343128	2343129
SUPER 1800	0668	0010 - 0270		2028580	2028262
		0271 - 1325		2028580	2028253
		1326 - 1681		2028581	2028244
		1682 - 9999		2028562	2028563
SUPER 1800-1	0782, 0982	0010 - 9999		2012539	2012540
SUPER 1800-2 (SJ)	1182	0010 - 9999	2052665	2052668	2052669
SUPER 1800-3	1482	0010 - 0150	2318759	2318760	2318761
		0151 - 9999		2341401	2341407
SUPER 1800-3i	1482	0010 - 9999	2318749	2302975	2318757
SUPER 1803-1	0783	0010 - 9999		2012539	2012540
SUPER 1803-2	0883	0010 - 9999	2052665	2052668	2052669
SUPER 1803-3	1083	0010 - 9999	2318759	2341401	2341407
SUPER 1803-3i	1083	0010 - 9999	2318749	2302975	2318757
SUPER 1804	0669	0010 - 0100		2028580	2028234
		0101 - 0424		2028580	2028213
		0425 - 9999		2028581	2028127

Due to possible technical changes, please always compare with the information in the instruction manual.

Machine type	Model	Series range	Replacement interval		
			50 h	500 h	1000 h
SUPER 1900, SUPER 2100	0619	0010 - 0393		2028582	2028115
		0394 - 9999		2013769	2028076
SUPER 1900-2, SUPER 2100-2	0719	0010 - 1304	2041586	2041587	2041588
		1305 - 9999		2188956	2188959
SUPER 1900-3, SUPER 2100-3	0819	0010 - 9999	2041586	2304176	2304180
SUPER 1900-3i	0819	0010 - 0050	2041586	2241427	2241431
		0051 - 9999		2320238	2320241
SUPER 2100-2 IP	0719	0727 - 1304	2041586	2041587	2041588
		1305 - 9999		2188956	2188959
SUPER 2100-3i	0819	0010 - 0182	2041586	2296142	2296144
		0183 - 9999		2320239	2320242
SUPER 2500	0674	0010 - 0042		2013770	2028067
		0043 - 0102		2028606	2028029
		0103 - 9999		2028560	2028561
SUPER 3000-2	0874	0010 - 9999	2136257	2136259	2136261
VISION 5100-2	1382	0010 - 9999	2087480	2087481	2087482
VISION 5103-2	0983	0010 - 9999	2087480	2087481	2087482
VISION 5200-2	0774	0010 - 9999		2075493	2075498
VISION 5200-2	0974	0010 - 9999	2075492	2283668	2283670
VISION 5200-2i	0974	0010 - 9999	2075492	2295868	2295870
VISION 5203-2	0775	0010 - 9999		2075493	2075498
VISION 5203-2	0875	0010 - 9999	2075492	2283668	2283670
VISION 5203-2i	0875	0010 - 9999	2075492	2295868	2295870
MT 1000-1	01MT	0010 - 0060		2013602	2013603
		0061 - 0081		2137013	2137014
		0082 - 9999		2188960	2188962
MT 3000-2	0761	0010 - 9999	2184906	2184908	2184909

Due to possible technical changes, please always compare with the information in the instruction manual.



# ORIGINAL WIRTGEN GROUP LUBRICANTS



Close to  
our customers

## Premium lubricants

Wirtgen Group lubricants combine the best possible basic oils and unique additives in customised specifications. The advantages for you:

- Extended oil-change intervals based on oil analysis in the Wirtgen Group
- Compatibility with the first filling
- Optimum protection against wear
- Perfect protection against corrosion
- Traceability in the event of damage

Wirtgen Group lubricants consequently improve the performance and service life of your machines while at the same time durably cutting their running costs. The sensible way to save money!



## One-stop supply

All Wirtgen Group machines – whether Wirtgen milling machine, Vögele paver, Hamm roller or Kleemann plant can be filled and lubricated with the corresponding Wirtgen Group lubricant for each application.\* Together with the carefully coordinated mixture of container sizes, this results in optimised ordering, storage and filling processes.

## Accessories for filling and lubrication

Highly functional accessories “made in Germany”, such as canister pumps and grease guns, are available to assist you in filling and lubricating your machines.



\*Exceptions are indicated

# ORIGINAL WIRTGEN GROUP ACCESSORIES FOR FILLING AND LUBRICATION



## Oil pumps

**Hand pump for 20-l canisters**  
Part No.: 2065044

- Piston pump
- Delivery hose with spring-loaded spiral and anti-kink spring
- Non-drip spout with holder
- Foot valve

**Lever-operated hand pump for 208-l barrels**  
Part No.: 2065045

- Made of metal
- Telescoping intake tube
- Pivotal delivery manifold
- Delivery capacity: 0.2 l / stroke



## Filling cylinder and grease presses

**Filling cylinder**  
Part No.: 2065046 (500 g)  
Part No.: 2065047 (1000 g)

- Made of metal
- Flexible hose

**Grease press / grease gun**  
Part No.: 2065049

- Made of metal
- High pressure output
- Size: 400-g cartridge



## Filling cans and funnels

**Filling cans**  
Part No.: 2065041 (1 l)  
Part No.: 2065042 (2 l)  
Part No.: 2065043 (5 l)

- Flexible spout
- Complete with lid
- Different sizes

**Filling funnels**  
Part No.: 2065039 (180 mm)  
Part No.: 2065040 (220 mm)

- Transparent plastic material
- Complete with lid
- Different diameters

# ORIGINAL WIRTGEN GROUP LUBRICANTS IN DETAIL

Engine oil					
Designation	Description	Class	Exhaust gas standard	Container	Part No.
Wirtgen Group Engine Oil 15W-40	Powerful high-performance engine oil made from excellent basic oils and special additives. Increases the performance output of your engine while at the same time ensuring maximum operational reliability.	ACEA E7/E5, API CI-4 plus	EURO 2, 3 and 4	5 l	2065020
				20 l	2065025
				208 l	2065026
Wirtgen Group Engine Oil 10W-40	The smooth-running engine oil produced using modern synthesis technology with outstanding wear protection and cleaning characteristics is suitable for exhaust gas standards TIER 1, 2, 3 (EURO 3a). For excellent and safe operating properties. Enables longer maintenance intervals as approved by the engine manufacturer.	ACEA E7/E5, API CF	EURO 4 and 5	5 l	2112355
				20 l	2112354
				208 l	2219171
Wirtgen Group Engine Oil "Low SAPS" 10W-30	Semi-synthetic "Low SAPS" engine oil (low sulphated ash, sulphur and phosphorous content) with fuel economy technology. Its low sulphate ash content ensures that burnt oil particles do not prematurely clog the emissions aftertreatment particle filter (DPF).	ACEA E9/E7, API CJ-4	EPA/CARB Tier 4i/f, EU-2004/26/EG Stage IIIB	5 l	2210320
				20 l	2210322
				208 l	2210323
Wirtgen Group Engine Oil "Low SAPS" 10W-40	The very latest synthetic diesel engine oil, extremely high performance, "Low SAPS" (lower levels of sulphur, sulphated ash and phosphor). The engine oil has been specially developed for use in all diesel engines with particle filters (DPF) and SCR systems (adBlue). Helps protect the environment by reducing harmful emissions.	ACEA E6/E7, E4-99 (API CI-4)	EPA/CARB Tier 4f, EU-2004/26/EG Stage 4	5 l	2346869
				20 l	2346870
				208 l	2346871



Close to  
our customers

## Hydraulic oil

Designation	Description	Class	Container	Part No.
Wirtgen Group Hydraulic Oil HVLP 46	High-grade multi-range hydraulic oil with high viscosity index for optimum protection against wear, even in the most difficult service conditions. Thanks to its enhanced specifications, it can be used with long replacement intervals. Optimum cold starting properties are guaranteed.	DIN 51524 Part 3 Type HVLP, ISO 6743/4 HV	20 l	2065028
			208 l	2065029
Wirtgen Group Hydraulic Oil HVLP 68	Zinc hydraulic fluid with high viscosity index	DIN 51524 Part 3 Type HLVP, DIN EN ISO 6743 Part 4 HV	20 l	2118574
Wirtgen Group Bio Hydraulic Oil 46	Rapidly biodegradable multi-use hydraulic fluid reduces wear and provides optimum protection against rust and corrosion. As per EU Eco-label criteria.	ISO 15380 HEES	20 l	2118575
			208 l	2270558

## Gear oil

Designation	Description	Class	Container	Part No.
Wirtgen Group Gear Oil 85W-90	Mineral gear oil of the latest generation for versatile use in gearboxes and axle drives. Stands out through maximum protection against wear and oxidation. Note: Must not be used for Wirtgen milling drum gearboxes, Hamm vibratory bearings and drum drives, as well as for Vögele pump splitter gearboxes and travel drives.	API GL-5	5 l	2065030
			20 l	2065031
			208 l	2065032
Wirtgen Group High-Performance Gear Oil VG 220	Exclusive all-synthetic gear oil designed for heavy-duty use in Wirtgen milling drum gearboxes. Extremely resistant to pressure and temperature. Note: Never mix with mineral gear oil. Must not be used for Hamm vibratory bearings and drum drives.	DIN 51517-3 CLP, ISO 6743-6	5 l	2170074
			20 l	2065033
			208 l	2065034
Wirtgen Group High-Performance Gear Oil VG 150	Exclusive all-synthetic gear oil designed for heavy-duty use in Wirtgen milling drum gearboxes. Extremely resistant to pressure and temperature. Note: Never mix with mineral gear oil. Must not be used for Hamm vibratory bearings and drum drives.	DIN 51517-3 CLP, ISO 6743-6	5 l	2173019
			20 l	199752
Wirtgen Group Special Gear Oil	Special all-synthetic high-performance gear oil for Hamm vibratory bearings and drum drives, as well as for Vögele pump splitter gearboxes and travel drives. Extremely resistant to pressure and temperature. Notes: Must not be mixed with mineral gear oil. Must not be used for Wirtgen milling drum gearboxes.	API GL-5	5 l	1238051
			20 l	2065037
			208 l	2065038

# ORIGINAL WIRTGEN GROUP LUBRICANTS IN DETAIL

Grease			
Designation	Description	Container	Part No.
Wirtgen Group Multipurpose Grease	Highly refined multipurpose grease for a wide range of lubricating jobs, such as on link pins and wheel bearings. State-of-the-art additive technology makes this product particularly suitable for use in conditions subject to impacts and vibration.	400 g	2065035
Wirtgen Group Clutch and Remixer Grease	Exclusive grease for use in clutches and Wirtgen remixers.	400 g	47259
Wirtgen Group Friction and Roller Bearing Grease	Exclusive grease for lubricating rolling and plain bearings exposed to high temperatures in Vögele machines.	18 kg	2027868
		12 x 400 g	2086136
Wirtgen Group Telescoping Tube Grease	Special high-performance grease based on silicone for use on Vögele telescoping tubes.	100 g	2086137
Wirtgen Group Low-Viscosity Grease	Thermally stable, high-performance low-viscosity grease with exceptional wear-resistance properties for Vögele auger drives.	5 kg	2050152
Wirtgen Group Asphalt Anti Stick	Perfect solution for Hamm rubber and combined wheel rollers: It prevents adhesion of the bitumen on the rubber tyres. The emulsion is based on a non-toxic solution and is thus rapidly biodegradable.	5 l	2117378
		20 l	2117379
Wirtgen Group Drum Bearing Grease	Exclusive grease for lubricating Hamm drum bearings. Extremely resistant to temperature and pressure.	1 kg	1205757
Wirtgen Group Drive Bearing Grease	Special high-performance grease for use in Hamm drive bearings. Extremely resistant to pressure and water-repellent.	1 kg	1227114
Wirtgen Group Quick-Change Toolholder Grease	Lubricant for greasing the Wirtgen quick-change toolholder.	480 g	2310279

Other lubricants			
Designation	Description	Container	Part No.
Wirtgen Group Clutch Fluid 32	High-performance hydraulic fluid for use in couplers of Kleemann machines.	5 l	2268030
		20 l	2268032
Wirtgen Group Antifreezing Compound	Coolants, anti-freeze and anti-corrosion agents.	5 l	2173022
		20 l	2173023
		208 l	2173024
Wirtgen Group Silicone Transformer Liquid	DOW transformer oil can be used in the magnetic separator in Kleemann systems.	20 l	2346389





# LUBRICANT REQUIREMENTS WHEN USING ORIGINAL WIRTGEN GROUP LUBRICANT CONTAINERS

Machine type	Model	Engine Oil				
		Filling capacity (liters)	Container 10W-40		Container "Low SAPS" 10W-30	
			5 liters Part No.: 2112355	5 liters Part No.: 2210320	20 liters Part No.: 2210322	
SUPER 600, SUPER 700, SUPER 800	0790	10.5	3			
SUPER 1100-2, SUPER 1300-2	0811	10	2			
SUPER 1103-2, SUPER 1303-2	0911	10	2			
SUPER 1100-3 (i), SUPER 1300-3 (i)	1011	9.1	2	2*		
SUPER 1103-3 (i), SUPER 1303-3 (i)	1111	9.1	2	2*		
SUPER 1800	0668	19	4			
SUPER 1804	0669	19	4			
SUPER 1900, SUPER 2100	0619	21	5			
SUPER 1600-1, SUPER 1603-1	0782, 0783	7.6	2			
SUPER 1800-1, SUPER 1803-1	0782, 0783, 0982	14	3			
SUPER 1600-2, SUPER 1603-2	1182, 0883	7.5	2			
SUPER 1800-2, SUPER 1803-2	1182, 0883	16	4			
SUPER 1800-2 SJ	1182	16	4			
SUPER 1900-2	0719	15	3			
SUPER 2100-2, IP	0719	24	5			
SUPER 1600-3 (i)	1582	11	3	3*		
SUPER 1603-3 (i)	1183	11	3	3*		
SUPER 1800-3 (i)	1482	24.4	5	5*		
SUPER 1803-3 (i)	1083	24.4	5	5*		
SUPER 1900-3 (i), SUPER 2100-3 (i)	0819	24.5	5	5*		
SUPER 2500	0674	31	7			
SUPER 3000-2	0874	37	8			
MT 1000-1	01MT	15.5	4			
MT 3000-2	0761	18	4			
VISION 5200-2	0774	21	5			
VISION 5203-2	0775	21	5			
VISION 5100-2	1382	17	4			
VISION 5103-2	0983	17.5	4			
VISION 5200-2 (i)	0974	23	5	5*		
VISION 5203-2 (i)	0875	23	5	5*		

Due to possible technical changes, please always compare with the information in the instruction manual.

\*Only with i machines

Machine type	Model	Gear Oil					
		Filling capacity (liters)	Container 85W-90		Filling capacity (liters)	Container Special 75W-90	
			5 liters Part No.: 2065030			5 liters Part No.: 1238051	20 liters Part No.: 2065037
SUPER 600, SUPER 700, SUPER 800	0790	0.6	1		0.65	1	
SUPER 1100-2, SUPER 1300-2	0811	2.6	1				
SUPER 1103-2, SUPER 1303-2	0911	5	1				
SUPER 1100-3 (i), SUPER 1300-3 (i)	1011	1.1	1		1.6	1	
SUPER 1103-3 (i), SUPER 1303-3 (i)	1111	5	1				
SUPER 1800	0668	14.5	3				
SUPER 1804	0669	27	6				
SUPER 1900, SUPER 2100	0619	17.7	4				
SUPER 1600-1, SUPER 1603-1	0782, 0783	14.2	3				
SUPER 1800-1, SUPER 1803-1	0782, 0783, 0982	14.4	3				
SUPER 1600-2, SUPER 1603-2	1182, 0883	4	1		12.1	3	
SUPER 1800-2, SUPER 1803-2	1182, 0883	4	1		11.5	3	
SUPER 1800-2 SJ	1182	4	1		11.5	3	
SUPER 1900-2	0719	3.5	1		8.6	2	
SUPER 2100-2, IP	0719	3.5	1		8.6	2	
SUPER 1600-3 (i)	1582	5.5	2		2	1	
SUPER 1603-3 (i)	1183	2	1		6.7	2	
SUPER 1800-3 (i)	1482	3.5	1		8.8	2	
SUPER 1803-3 (i)	1083				10.4	3	
SUPER 1900-3 (i), SUPER 2100-3 (i)	0819	2,6	1		9.5	2	
SUPER 2500	0674	21.5	5				
SUPER 3000-2	0874	6.2	2		14.1	3	
MT 1000-1	01MT	3.5	1		4	1	
MT 3000-2	0761	3.5	1		4.2	1	
VISION 5200-2	0774				15.4		1
VISION 5203-2	0775				15.4		1
VISION 5100-2	1382				13.4	3	
VISION 5103-2	0983				11.2	3	
VISION 5200-2 (i)	0974				14.8	3	
VISION 5203-2 (i)	0875				14.5	3	

Due to possible technical changes, please always compare with the information in the instruction manual.

# LUBRICANT REQUIREMENTS WHEN USING ORIGINAL WIRTGEN GROUP LUBRICANT CONTAINERS

Machine type	Model	Hydraulic Oil		Bearing Grease		
		Filling capacity (liters)	Container	Filling capacity (kg)	Container	
			20 liters Part No.: 2065028		12 x 400 grams Part No.: 2086136	18 kilograms Part No.: 2027868
SUPER 600, SUPER 700, SUPER 800	0790	74	4	2	1	
SUPER 1100-2, SUPER 1300-2	0811	70	4	2	1	
SUPER 1103-2, SUPER 1303-2	0911	70	4	2	1	
SUPER 1100-3 (i), SUPER 1300-3 (i)	1011	90	5	2	1	
SUPER 1103-3 (i), SUPER 1303-3 (i)	1111	90	5	2	1	
SUPER 1800	0668	306	16	2	1	
SUPER 1804	0669	340	17	2	1	
SUPER 1900, SUPER 2100	0619	300	15	2	1	
SUPER 1600-1, SUPER 1800-1	0782, 0982	260	13	3	1	
SUPER 1603-1, SUPER 1803-1	0783	260	13	3	1	
SUPER 1600-2, SUPER 1800-2	1182	310	16	2	1	
SUPER 1800-2 SJ	1182	310	16	2	1	
SUPER 1603-2, SUPER 1803-2	0883	270	14	2	1	
SUPER 1900-2, SUPER 2100-2	0719	400	20	2	1	
SUPER 2100-2 IP	0719	400	20	2	1	
SUPER 1600-3 (i)	1582	200	10	2	1	
SUPER 1603-3 (i)	1183	270	14	2	1	
SUPER 1800-3 (i)	1482	300	15	2	1	
SUPER 1803-3 (i)	1083	270	14	2	1	
SUPER 1900-3 (i), SUPER 2100-3 (i)	0819	260	13	2	1	
SUPER 2500	0674	385	20	2	1	
SUPER 3000-2	0874	350	18	3	1	
MT 1000-1	01MT	238	12	2	1	
MT 3000-2	0761	230	12	2	1	
VISION 5200-2	0774	315	16	2	1	
VISION 5203-2	0775	315	16	2	1	
VISION 5100-2	1382	250	13	2	1	
VISION 5103-2	0983	250	13	2	1	
VISION 5200-2 (i)	0974	315	16	3	1	
VISION 5203-2 (i)	0875	315	16	3	1	

Due to possible technical changes, please always compare with the information in the instruction manual.

Machine type	Model	Antifreezing Compound		
		Filling capacity (liters)	Container	
			5 liters Part No.: 2173022	20 liters Part No.: 2173023
SUPER 600, SUPER 700, SUPER 800	0790	5	1	
SUPER 1100-2, SUPER 1300-2	0811	5	1	
SUPER 1103-2, SUPER 1303-2	0911	5	1	
SUPER 1100-3 (i), SUPER 1300-3 (i)	1011	6.2	2	
SUPER 1103-3 (i), SUPER 1303-3 (i)	1111	6.2	2	
SUPER 1800	0668			
SUPER 1804	0669			
SUPER 1900, SUPER 2100	0619	13		1
SUPER 1600-1, SUPER 1800-1	0782, 0982	8	2	
SUPER 1603-1, SUPER 1803-1	0783	13		1
SUPER 1600-2, SUPER 1800-2	1182	13		1
SUPER 1800-2 SJ	1182	13		1
SUPER 1603-2, SUPER 1803-2	0883	13		1
SUPER 1900-2, SUPER 2100-2	0719	10.5		1
SUPER 2100-2 IP	0719	10.5		1
SUPER 1600-3 (i)	1582	11		1
SUPER 1603-3 (i)	1183	12		1
SUPER 1800-3 (i)	1482	14		1
SUPER 1803-3 (i)	1083	14		1
SUPER 1900-3 (i), SUPER 2100-3 (i)	0819	13		1
SUPER 2500	0674	12		1
SUPER 3000-2	0874	23	1	1
MT 1000-1	01MT	6	2	
MT 3000-2	0761	13		1
VISION 5200-2	0774	15.5		1
VISION 5203-2	0775	15.5		1
VISION 5100-2	1382	14		1
VISION 5103-2	0983	14		1
VISION 5200-2 (i)	0974	15.5		1
VISION 5203-2 (i)	0875	15.5		1







Due to possible technical changes, please always compare with the information in the instruction manual.






# HAMM AG

## COMPACTION AND A WHOLE LOT MORE



<b>Hamm AG</b>	<b>306</b>
 <b>Core competence compaction technology</b>	<b>308</b>
 <b>Wheels and drums</b>	<b>312</b>
Smooth tyres and earthwork tyres	312
Scrapers for drums and tyres	315
Rubber buffers for drums	318
 <b>Water system</b>	<b>320</b>
Sprinkling parts	320
 <b>Cabin</b>	<b>326</b>
Windscreen wipers	326
 <b>Electrical accessories</b>	<b>330</b>
Electrical accessories	330
Emergency kits for electronic systems and water sprinkling	336
 <b>Tools</b>	<b>338</b>
Special tools	338



	<b>Filters</b>	340
	Service packages for filter elements	340
	<b>Maintenance packages</b>	346
	<b>Lubricants</b>	350
	Lubricants	350
	Accessories for filling and lubrication	351
	Lubricants in detail	352
	Lubricant requirements	356



# ORIGINAL HAMM CORE COMPETENCE COMPACTION TECHNOLOGY

## Hamm-Oscillation: The innovative solution for all applications in the field of soil and asphalt compaction

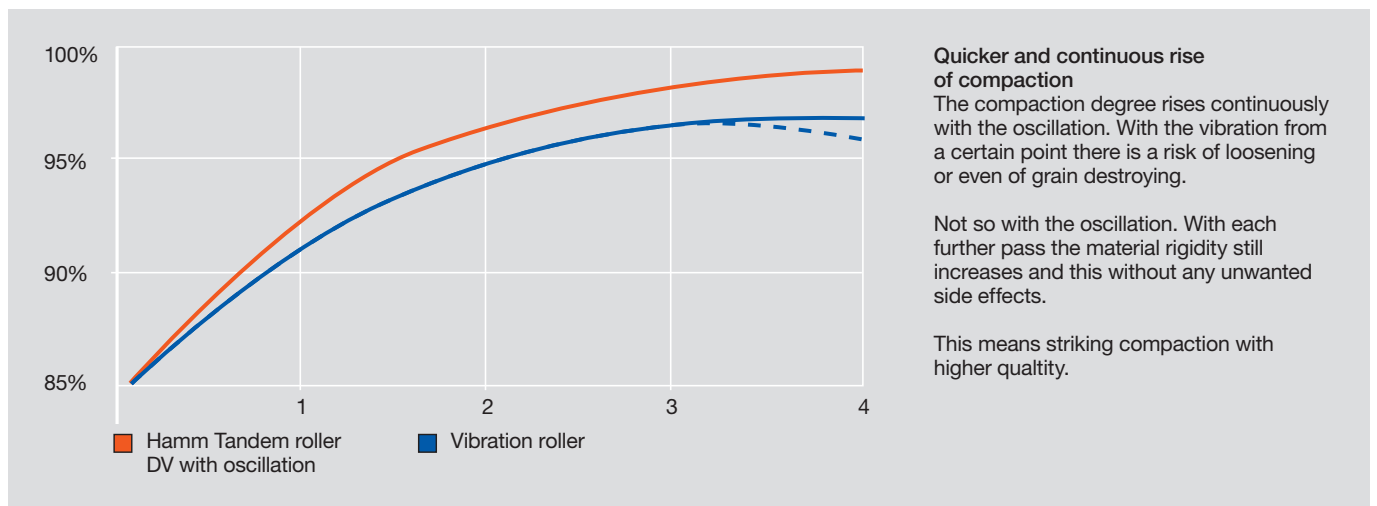
In the oscillation drum masses turning in the same direction, produce one moment around the drum axle. The moment changes its effect direction during a turn of the mass (forward and reverse), so that the oscillation drum movement is created. Here thrusts are introduced into the soil.

With oscillation clearly lower resonances are generated than with the vibration. Here only up to approx. 10% of the stresses in comparison to vibration are created. Oscillation rollers use their performance not to unintended vibration stimulation of the surrounding field, but introduce these specific there where the energy is needed.

On all bitumen job sites – from the smallest surface, bridges, multistorey car parks up to highways – the oscillation shows its performance and clear advantages. The oscillating movement in combination with the permanent static load of the drum guarantee a fast increase of compaction together paired with very homogeneous compaction and good surface roughness. The sub base remains thereby preserved.



For earth compactors there is also the possibility for the oscillation compaction, here is the VIO drum used. In this drum both systems are combined, so that there can be selected between oscillation and vibration.

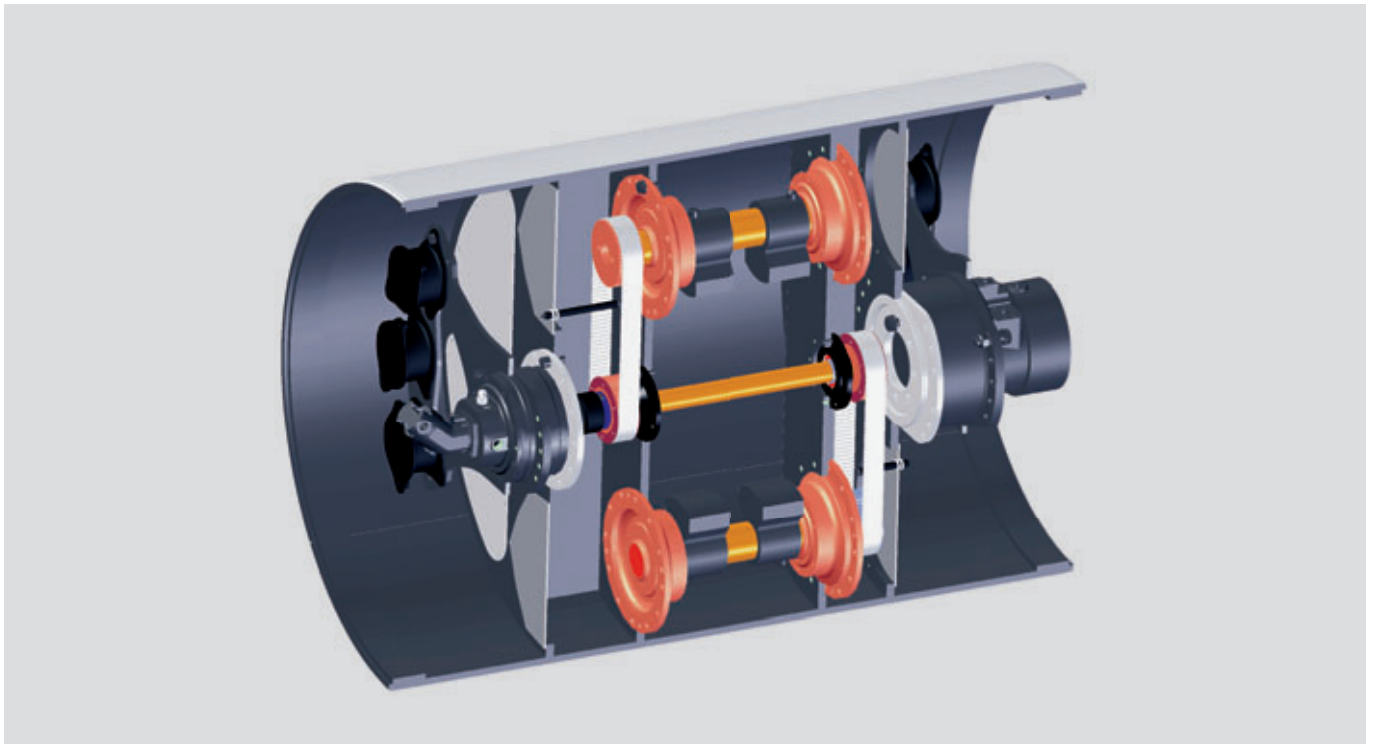


### Quicker and continuous rise of compaction

The compaction degree rises continuously with the oscillation. With the vibration from a certain point there is a risk of loosening or even of grain destroying.

Not so with the oscillation. With each further pass the material rigidity still increases and this without any unwanted side effects.

This means striking compaction with higher quality.



### Your advantages with oscillation

- No vibrations in the machine-surrounding field
- Working in building areas, on bridges, within multistorey car parks or other sensitive ranges becomes just now possible
- Higher temperature range, thereby more flexibility
- Better compaction results through fast and continuous rise of the compaction
- Immediate adjustment to changed structural conditions of the subgrade, without complex control mechanism
- No grain destroying by smooth compaction
- Good compaction on joints
- Good initial grip on the bitumen surface by a homogeneous compaction
- Oscillation turns rollers into all-round machines
- Faster compaction with better result



# ORIGINAL HAMM CORE COMPETENCE COMPACTION TECHNOLOGY

## HCQ-Navigator – The cost-effective solution for continuous compaction control during earthworks or asphaltting

Continuous Compaction Control (CCC) has been the standard for many years in compaction. CCC supports the driver during compaction, which results in a more efficient, higher quality result.

The HCQ-Navigator has a display unit (panel PC) and a highly accurate DGPS receiver (e.g. differential signal via satellite or local ground station). The HCQ-Navigator couples all compaction information with the position of the roller and can therefore display important data graphically. This way, the roller driver can see at any time where the required compaction has been reached and where not.

The compaction and position data are saved automatically by the system as soon as activated by the operator.

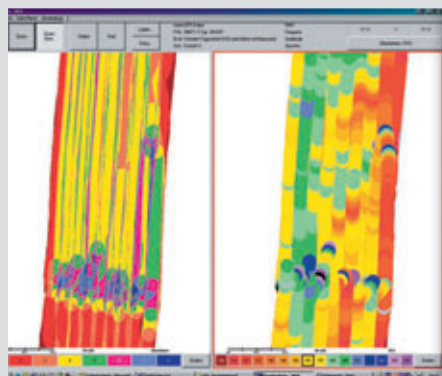
To keep the system as simple as possible, two different user interfaces are implemented: the standard mode and the extended mode.

In the standard mode all the functions the machine driver needs for working with the HCQ-Navigator are available. The driver can display the most important information on the cab monitor. For improved orientation on the construction site, it is also possible to display digital planning data or geo lines.

In the extended mode, site managers or laboratory technicians can utilise all the features of the system, make the necessary basic settings and evaluate existing data. The panel PC can be operated using a touchscreen. For simple and reliable data exchange and project data backup a standard USB stick is used. On completion of the construction project, you can easily and reliably archive project data and generate reports and logs required by the client. It is possible to analyse the compaction data for each individual item of the construction project at any time.

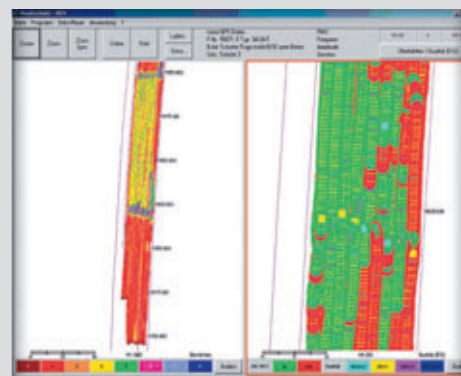
### Operator's screen

- 1 On the operator's screen the operator reads the number of passes, the compaction and the compaction quality.
- 2 For easier orientation on the job site, stations can be loaded with their designations.



Number of passes

Load-bearing capacity  
(EV<sup>2</sup>)



Geo lines

Quality (EV<sup>2</sup>)



### HCQ-Navigator display set – Earthworks



#### HCQ-Navigator – Earthworks

The compaction information displayed during the earthworks is based on the measured data from the HCQ-Indicator and the position data for the roller. With this information, the following views can be generated:

- Number of passes
- HMV value (soil stiffness)
- Qualitative change in the soil stiffness
- HMV value or load-bearing capacity: increasing, constant or dropping values
- Load-bearing capacity (following calibration)

### HCQ-Navigator display set – Asphaltting



#### HCQ-Navigator – Asphaltting

Unlike for earthworks, the information displayed for asphaltting is based not just on the measured data from the HCQ-Indicator (due to temperature and ground effects the asphalt stiffness is not reliable enough), but on a large number of related parameters.

For asphaltting the following useful views can be generated:

- Passes by all rollers, including static rollers
- Asphalt temperature

Hamm machinery can be supplied with preparatory kits so that the display sets can be installed at any time as required.

# ORIGINAL HAMM SMOOTH AND EARTHWORK TYRES

Today's compactors of Hamm reach highest climbing power in the toughest terrain. The tyres on the compactors are exposed to the highest loads. Therefore, the tyres are optimised for all operating conditions and guarantee safe traction and best handling.

Earthwork tyres are available in different profiles, depending on machine type and site of operation.

The design of the tyres and rims, and the rubber compound used are specifically designed for the requirements in asphaltting. Depending on air pressure the effect of the compaction changes.



- 1** **Special rubber mixtures** ensure the dependability of the tyres for diverse uses with different profiles.
- 2** **Smooth tyres for asphaltting** provide the best compaction results.
- 3** **Smooth tyres** are designed for the highest machine weight and have a maximum bearing load.
- 4** **Profile tyres** run with the ideal self-cleaning effect.
- 5** **Profile tyres provide the best traction** and are characterised by their high damage resistance.

Machine type	Model	Series range	Smooth tyres	
			Description	Part No.
HD 10K, HD 12K, HD 13K	H139	0001 - 9999	Pirelli	380261
			Condor	1270745
HD 10CVT	H199	0001 - 9999	Condor	1270745
HD 10VT	H171, H200	0001 - 9999	Condor	1270745
HD 12VT	H171	0001 - 9999		2080808
HD 12VT	H200	0001 - 0945		2080808
		0946 - 2812	Condor	1270745
		2813 - 9999		2080808
HD 13VT, HD 14VT, HD 14TT	H172, H201, H196, H208	0001 - 9999		2172109
HD 70K, HD 75K, HD 075K, HD 75.4K HD 90K, HD 90.4K, HD 110K	H152, H153, H173, H174, H181, H187	0001 - 9999	Dunlop	1209353
			Michelin	329096
HD+ 70iVT, HD+ 80iVT, HD+ 80iOT, HD+ 90VT, HD+ 110VT, HD+ 90iVT, HD+ 110iVT	H186, H185, H209	0001 - 9999	Dunlop	1209353
			Michelin	329096
DV 3K	H120	0001 - 9999		342122
DV 6.4K, DV 8.4K, DV 6.4K PVC, DV 8.4K PVC, DV 6K Super, DV 06K Super, DV 8K Super, DV 08K Super	H143, H138, H150, H151, H156, H157	0001 - 9999	Dunlop	1209353
			Michelin	329096
DV 40VT	H164	0001 - 0172		2043068
		0173 - 9999		2172109
DV 70TV, DV 70TO, DV 90TV, DV 90TO, DV 65TV, DV 65TO, DV 85TV, DV 85TO	H165, H191, H166, H192, H197, H198	0001 - 9999	Dunlop	1209353
			Michelin	329096
HD 150TT, GRW 10, GRW 15, GRW 18, GRW 21, GRW 24, GRW 280	H168, H183, H193, H178, H190, H195, H212, H229	0001 - 9999	Dunlop	1209353
			Michelin	329096
GRW 280	H195, H212, H229	0001 - 9999	Mitas	2108260
		0001 - 9999	Hamm Special	2301739



# ORIGINAL HAMM SMOOTH AND EARTHWORK TYRES



Close to  
our customers

Machine type	Model	Series range	Earthwork tyres			Rock tyre (without rim)
			Grooved tyre	Diamond tread	Tractor tread	
2220	H132	0001 - 9999			364193	
2320	H155	0001 - 9999		2213630	355127	
2420, 2520, 2620	H141, H142, H144	0001 - 9999		387851	342009	
3010	H133	0001 - 9999		2213630	355127	
4010, 5011	H134, H135	0001 - 9999		387851	342009	
3205	H158, H188	0001 - 9999	2030936		364193	
3307	H159, H189	0001 - 9999		2213630	355127	
3410, 3411, 3412, 3414	H169, H179, H206, H217, H269, H160, H180, H214	0001 - 9999		387851	342009	
3516, 3518, 3520, H 11i, H 11iP, H 13i, H 13iP, H 13iVIO, H 16i, H 16iP, H 11ix, H 11ixP, H 13ix	H161, H176, H215, H210, H211	0001 - 9999		387851	342009	
H 18i, H 20i, H 25i	H202	0001 - 9999		387851		
H 18i, H 20i	H202	0001 - 9999			342009	
3625, H 25i	H162, H177, H202	0001 - 9999			2129836	
3410, 3411, 3412, 3414, 3516, H 11i, H 11iP, H 13i, H 13iP, H 13iVIO, H 16i, H 16iP, H 11ix, H 11ixP, H 13ix	H169, H179, H206, H217, H269, H160, H180, H214, H161, H176, H215, H210, H211	0001 - 9999				1289926 (option)
						2071620 (standard)
3518, 3520, 3625, H 18i, H 20i, H 25i	H161, H176, H202	0001 - 9999				1232975 (option)
						2068866 (standard)

# ORIGINAL HAMM SCRAPERS FOR DRUMS AND TYRES



Close to  
our customers

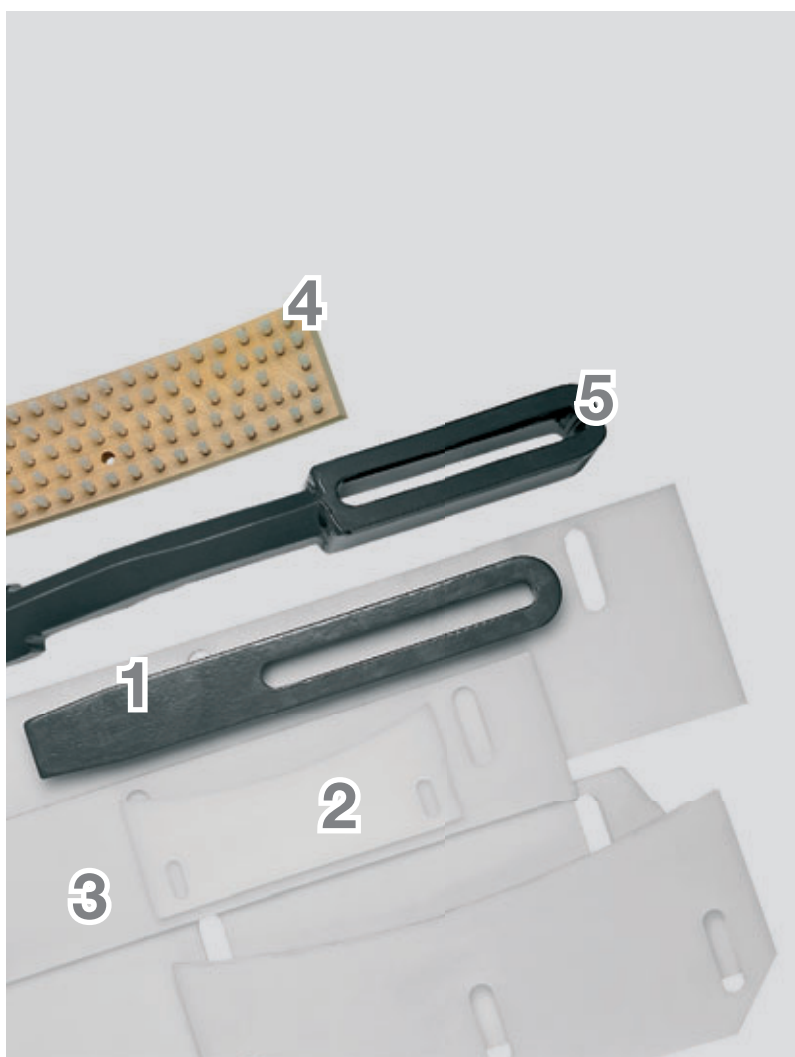


Original Hamm scrapers are wear-resistant and guarantee a safe cleaning of the drum and asphalt tyres.

Fixed to the frame, they run over the bandage and prevent the adhesion of dust and asphalt.

Depending on the machine type Hamm also offers folding scrapers.

The scraper materials optimised by Hamm are wear-resistant at lowest operating costs.



**1** The wear-resistant scrapers ensure safe cleaning of the bandages and the smooth tyres.

**2** The material used provides the best surface quality with clean roller drum.

**3** Plastic scrapers are durable and wear-resistant, low usage costs.

**4** The scraper brushes fit perfectly to the tyre surface, and thus offer the best cleaning effect.

**5** The gaps of the padfoot drum are easily cleaned by scraper teeth made of high-quality steel.





# ORIGINAL HAMM SCRAPERS FOR DRUMS AND TYRES

Machine type	Model	Series range	Scrapers for tyres	
			Description	Part No.
DV 3	H120	0001 - 9999	Pirelli	444871
DV 6 Super	H156	0001 - 9999	PVC	1406248
DV 6.4	H143	0001 - 9999	PVC	1406248
DV 6.4 PVC	H150	0001 - 9999	PVC	1406248
DV 8 Super	H157	0001 - 9999	PVC	1406248
DV 8.4	H138	0001 - 9999	PVC	1406248
DV 8.4 PVC	H151	0001 - 9999	PVC	1406248
DV 40	H154	0001 - 0172	Condor	1508148
		0173 - 9999	Bridgestone	2076350
DV 65	H197	0001 - 9999	PVC	1406248
DV 70	H165, H191	0001 - 9999	PVC	1406248
DV 85	H198	0001 - 9999	PVC	1406248
DV 90	H166, H192	0001 - 9999	PVC	1406248
GRW 10 - 18	H114, H178, H190	0001 - 9999	Brushes	701041
			PVC	1406248
GRW 280	H195	0001 - 9999	Brushes	701041
			PVC	2171169
GRW 280	H229	0001 - 9999	Brushes	701041
		0001 - 0045	PVC	2171169
		0046 - 9999	PVC	1406248
GRW 280i	H212	0001 - 9999	Brushes	701041
			PVC	1406248
HD 10 TV	H171	0001 - 9999		2085393
HD 10 TV	H200	0001 - 0945		2085393
		0946 - 9999		2091348
HD 10 - 13	H139	0001 - 9999	Pirelli	444871
			Condor	1508148
HD 12 TV	H171	0001 - 9999		2085390
HD 12 TV	H200	0001 - 0945		2085390
		0946 - 9999		2091348
HD 13 - 14 TV	H172	0001 - 9999	Bridgestone	2076350
HD 13 - 14 TV	H201	0001 - 0219	Bridgestone	2076350
		0220 - 9999		2187115
HD 14 TT	H196	0001 - 9999	Bridgestone	2076350
HD 14 TT	H208	0001 - 0010	Bridgestone	2076350
		0011 - 9999		2187115
HD 70, HD 75	H152, H173, H187	0001 - 9999	PVC	1406248
HD 90 - 110	H153, H174, H181	0001 - 9999	PVC	1406248
HD 150 TT	H168, H183, H193	0001 - 9999	PVC	1406248
HD+ 70i - 80i	H186	0001 - 9999	PVC	1406248
HD+ 90 - 110	H185	0001 - 9999	PVC	1406248
HD+ 90i - 110i	H209	0001 - 9999	PVC	1406248

Machine type	Model	Series range	Scrapers for smooth drums
2220	H127	0001 - 9999	468207
2320	H155	0001 - 9999	492280
2420	H141	0001 - 9999	486736
2520	H142	0001 - 9999	499986
2620	H144	0001 - 9999	499986
3010	H133	0001 - 9999	492280
3205	H158, H188	0001 - 9999	468207
3307	H159, H189	0001 - 9999	492280
3410 - 3411	H169, H179, H206	0001 - 9999	1499327
3412 - 3414	H160, H180, H214	0001 - 9999	1499327
3516	H161, H176, H215	0001 - 9999	1499327
3518 - 3520	H161, H176, H215	0001 - 9999	1499351
3625	H162, H177	0001 - 9999	1499351
4010	H134	0001 - 9999	486736
5011	H135	0001 - 9999	486736
DV 3	H120	0001 - 9999	557048
DV 6 Super	H156	0001 - 9999	1466763
DV 6.4	H143	0001 - 9999	421324
DV 6.4 PVC	H150	0001 - 9999	421324
DV 8 Super	H157	0001 - 9999	407976
DV 8.4	H138	0001 - 9999	492280
DV 8.4 PVC	H151	0001 - 9999	492280
DV 40	H154	0001 - 9999	1414984
DV 65	H197	0001 - 9999	1503987
DV 70	H165, H191	0001 - 9999	1503987
DV 85	H198	0001 - 9999	407976
DV 90	H166, H192	0001 - 9999	407976
H 11i - H 13i - H 16i	H211	0001 - 9999	2161611
H 11ix - H 13ix	H210	0001 - 9999	2161611
H 18i - H 20i - H 25i	H202	0001 - 9999	2161611
HD 8 VV	H170, H199	0001 - 9999	2033739
HD 10	H139	0001 - 9999	1414976
HD 10 VV, TV	H171, H200	0001 - 9999	2031269
HD 10C VV	H170, H199	0001 - 9999	2031269
HD 12	H139	0001 - 9999	1414984
HD 12 VV, TV	H171, H200	0001 - 9999	2069570
HD 13	H139	0001 - 9999	1433636
HD 13 VV, TV	H172, H201	0001 - 9999	2047124
HD 14 VV, TV	H172, H201	0001 - 9999	2034672
HD 70	H152, H173, H187	0001 - 9999	1466763
HD 75	H152, H173, H187	0001 - 9999	1461796
HD 90 - 110	H153, H174, H181	0001 - 9999	1461796
HD 120	H163, H175, H182	0001 - 9999	1504185
HD 130	H163, H175, H182	0001 - 9999	1473638
HD+ 70i	H186	0001 - 9999	2256981
HD+ 80i	H186	0001 - 9999	2129161
HD+ 90 - 110	H185	0001 - 9999	2129161
HD+ 90i - 110i	H209	0001 - 9999	2129161
HD+ 120	H184	0001 - 9999	2056544
HD+ 120i	H207	0001 - 9999	2148763
HD+ 140	H184	0001 - 9999	2092340
HD+ 140i	H207	0001 - 9999	2148766
HW 90	H123	0001 - 9999	557048 (front)
			422851 (rear – 650 wide)
			434795 (rear – 610 wide)
			557374 (rear – 550 wide)



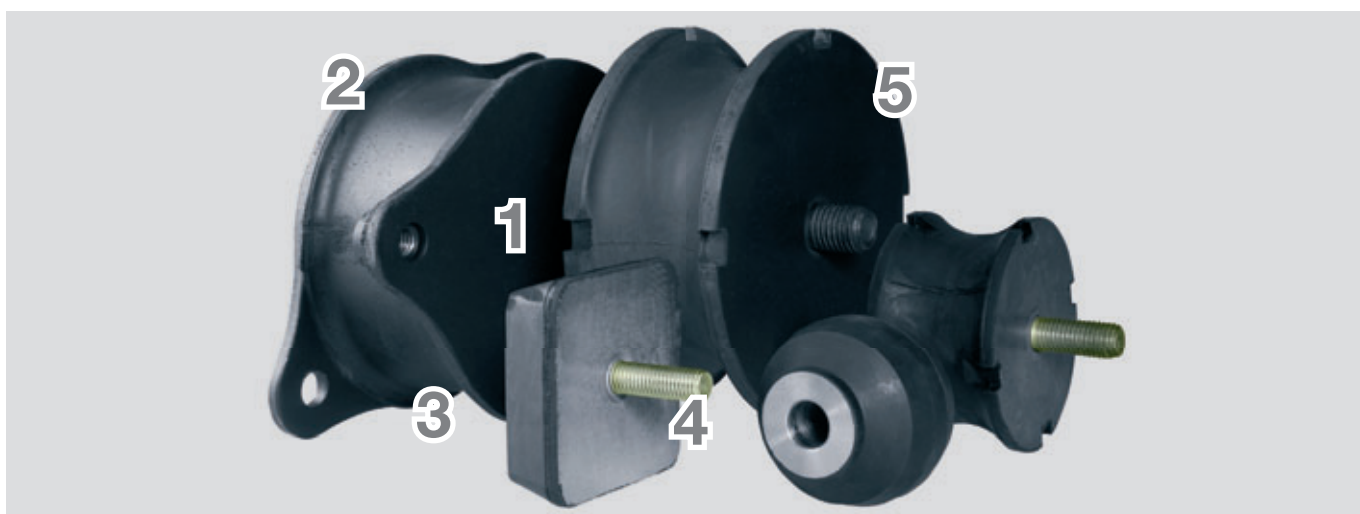
## ORIGINAL HAMM RUBBER BUFFERS FOR DRUMS

In the daily site work, the original Hamm rubber buffers prevent that the high compaction capacities, produced by the vibration and oscillation drums, do not transfer the damaging resonances to the roller.

The rubber buffers are located between the drum and the tyres.

Original Hamm rubber buffers ensure that the torque of the drive is reliably transferred even under the hardest conditions.

The original Hamm rubber buffers provide ideal driving comfort for the operator, with minimal maintenance costs.



- 1** The hardness of the original rubber buffers is adjusted ideally to the machine and the compacting performance.
- 2** The rubber buffers prevent the transfer of vibration to the drum.
- 3** The rubber elements have a vibration-insulating effect and allow concentrated and undisturbed working.
- 4** They are maintenance-free and easy to attach.
- 5** The vibrations are insulated and not transferred to the environment.

Machine type	Model	Series range NEW (old)	Rubber buffer for drum
2220	H132	<b>0001 - 9999</b> (00001 - 99999)	354082
2320	H155	<b>0001 - 9999</b> (00001 - 99999)	354082
2420*, 2520, 2620	H141, H142, H144	<b>0001 - 9999</b> (00001 - 99999)	354082
3010	H133	<b>0014 - 9999</b> (35847 - 99999)	354082
		<b>0204 - 9999</b> (37953 - 99999)	354082
3205, 3307, 3410 - 3411	H158, H188, H159, H189, H169, H179, H217	<b>0001 - 9999</b> (00001 - 99999)	1487116
3412 - 3414	H160	<b>0001 - 1039</b>	1487116
	H180, H214	<b>1040 - 9999</b>	1524771
3516, 3518, 3520	H161	<b>0001 - 0538</b> (43553 - 99999)	1487116
		<b>0539 - 9999</b>	1524771
		<b>0001 - 9999</b>	1524771
3625	H162	<b>0001 - 0052</b> (00001 - 99999)	1487116
		<b>0053 - 9999</b>	1524771
	H177	<b>0001 - 9999</b>	1524771
4010	H134	<b>0271 - 9999</b> (37973 - 99999)	354082
5011	H135	<b>0001 - 9999</b> (00001 - 99999)	354082
DV 3	H120	<b>0001 - 9999</b> (00001 - 99999)	324353
DV 6.4, DV 6.4 PVC, DV 6 Super, DV 8.4, DV 8.4 PVC, DV 8 Super	H143, H150, H156, H138, H151, H157	<b>0001 - 9999</b> (00001 - 99999)	354082
DV 40, DV 70, DV 90	H164, H165, H166, H191, H192	<b>0001 - 9999</b>	1487116
DV 65, DV 85	H197, H198	<b>0001 - 9999</b>	1487116
H 11i, H 11ix, H 11ixP	H211, H210	<b>0001 - 9999</b>	1487116
H 13i, H 16i, H 13ix	H211, H210	<b>0001 - 9999</b>	1524771
H 18i - H 20i - H 25i	H202	<b>0001 - 9999</b>	1524771
HD 8 VV, HD 10C VV	H170, H199	<b>0001 - 9999</b>	2029281
HD 10 - 12	H171, H200	<b>0001 - 9999</b>	2029281
HD 10 - 13	H139	<b>0001 - 9999</b> (00001 - 99999)	324353
HD 13 - 14	H172, H201	<b>0001 - 9999</b>	1487116
HD 70 - 75, HD 90 - 110, HD 120 - 130	H152, H173, H153, H163, H174, H181, H175, H182, H187	<b>0001 - 9999</b> (00001 - 99999)	354082
HD+ 70i - 80i	H186	<b>0001 - 9999</b>	1487116
HD+ 90 - 110	H185	<b>0001 - 9999</b>	1487116
HD+ 90i - 110i	H209	<b>0001 - 9999</b>	1487116
HD+ 120 - 140	H184	<b>0001 - 9999</b>	1524771
HD+ 120i - 140i	H207	<b>0001 - 9999</b>	1524771

\* Valid with drum drive only

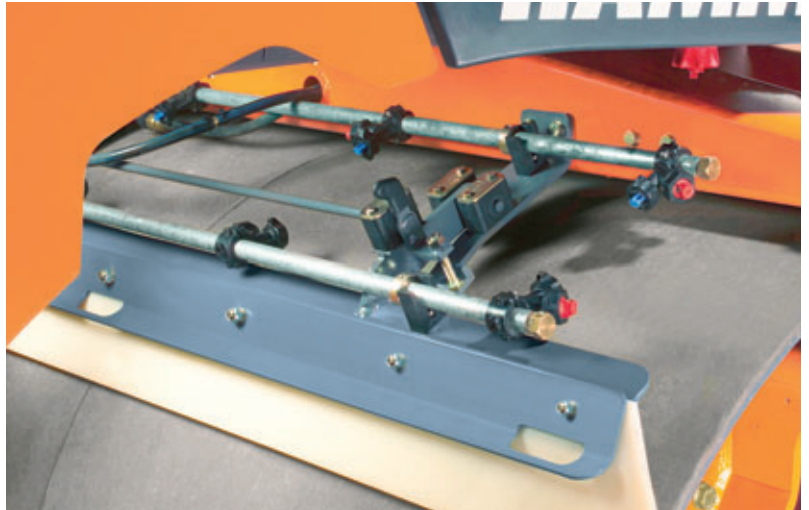


# ORIGINAL HAMM SPRINKLING PARTS

Original Hamm parts for sprinkling guarantee the reliable water distribution on the drums of asphalt rollers.

The Hamm sprinkling system for asphalt machines has been optimised for the application on most difficult paving and is extremely water-saving. Depending on the machine type, the individual components of the system can be ordered and replaced.

The complete sprinkling system is designed for optimum reliability.



- A Water pump
- B Water filter complete with spare glass and filter element
- C Spray nozzle, complete
- D Hose coupling
- E Spray nozzle





Machine type	Model	Series range <b>NEW</b> (old)	Water sprinkling unit	
			Description	Part No.
DV 3	H120	<b>0001 - 9999</b> (00001 - 99999)	Water filter complete	274097
			Filter element	280283
			Spare glass	293598
			Sealing ring for spare glass	293717
			Water pump	2335548
			Spray nozzle	200425
			Sprinkler nozzle (tyre side)	352594
DV 6.22	H118	<b>0763 - 9999</b> (34844 - 99999)	Water filter complete	813249
			Filter element	386596
			Felt seals for filter element	392731
			Spare glass	878685
			O-rings for spare glass	392758
			Union nut	390313
			Water pump	2335548
			Spray nozzle	200425
			Spray nozzle (additive sprinkling)	352594
DV 6.4, DV 6.4 PVC, DV 6 Super	H143, H150, H156	<b>0001 - 9999</b> (00001 - 99999)	Water filter complete	842397
			Filter element	386596
			Felt seals for filter element	392731
			Spare glass	878685
			O-rings for spare glass	392758
			Union nut	390313
			Water pump	2335548
			Sprinkler nozzle complete (vibration drum)	2027825
			Sprinkler nozzle complete (oscillation drum)	2027844
			Adapter for hose coupling	2029231
			Hose coupling	2031621
			Hose coupling complete	2035493
			Pipe clamp (additive sprinkling)	1212265
			Mesh (additive sprinkling)	1212281
			Spray nozzle (additive sprinkling)	1212257
Union nut (additive sprinkling)	1212273			
DV 8.4	H138	<b>0001 - 0281</b> (34677 - 37862)	Water filter complete	813249
			Filter element	386596
			Felt seals for filter element	392731
			Spare glass	878685
			O-rings for spare glass	392758

# ORIGINAL HAMM SPRINKLING PARTS

Machine type	Model	Series range <b>NEW</b> (old)	Water sprinkling unit		
			Description	Part No.	
DV 8.4	H138	<b>0001 - 0281</b> (34677 - 37862)	Union nut	390313	
			Water pump	2335548	
			Spray nozzle (additive sprinkling)	352594	
		<b>0001 - 0070</b> (00001 - 35313)	Spray nozzle	200425	
			<b>0072 - 9999</b> (35314 - 99999)	Spray nozzle	394297
		<b>0282 - 9999</b> (37863 - 40400)		Water filter complete	813249
				Filter element	386596
				Felt seals for filter element	392731
				Spare glass	878685
				O-rings for spare glass	392758
				Union nut	390313
				Water pump	2335548
				Nozzle holder	1212265
				Union nut (additive sprinkling)	1212273
				Sieving filter	1212281
Spray nozzle (water and additive sprinkling)	1212257				
DV 8.4 PVC, DV 8 Super	H151, H157	<b>0001 - 9999</b> (00001 - 99999)	Water filter complete	842397	
			Filter element	386596	
			Felt seals for filter element	392731	
			Spare glass	878685	
			O-rings for spare glass	392758	
			Union nut	390313	
			Water pump	2335548	
			Sprinkler nozzle complete (vibration drum)	2027825	
			Sprinkler nozzle complete (oscillation drum)	2027844	
			Adapter for hose coupling	2029231	
			Hose coupling	2031621	
			Hose coupling complete	2035493	
			Pipe clamp (additive sprinkling)	1212265	
			Spray nozzle (additive sprinkling)	1212257	
			DV 40, DV 65, DV 70, DV 85, DV 90	H164, H165, H166, H191, H192, H197, H198	<b>0001 - 9999</b>
Filter element	386596				
Felt seals for filter element	392731				
Spare glass	878685				
O-rings for spare glass	392758				
Union nut	390313				
Water pump	2335548				
Sprinkler nozzle complete (vibration drum)	2027825				
Sprinkler nozzle complete (Oscillation drum DV 70 - 90)	2027844				
Nozzle holder	1232770				
Sieving filter (not DV 40)	2028603				
Sieving filter (DV 40)	1212281				
Spray nozzle	1232762				
Spray nozzle (not DV 40)	2028605				
Union nut (additive sprinkling)	1212273				
Adapter for hose coupling (DV 70 - 90)	2029231				
Hose coupling (DV 70 - 90)	2031621				
Hose coupling complete (DV 70 - 90)	2035493				

Machine type	Model	Series range <b>NEW</b> (old)	Water sprinkling unit	
			Description	Part No.
GRW 10 - 18	H114	<b>0993 - 9999</b> (42394 - 99999)	Water filter complete	274097
			Filter element	280283
			O-ring	293717
			Spare glass	293598
			Spray nozzle	394297
GRW 10 - 24	H178, H190	<b>0001 - 9999</b>	Water filter complete	813249
			Filter element	386596
			Felt seal	392731
			Spare glass	878685
			Union nut	390313
			Spray nozzle	2045333
GRW 280, GRW 280i	H195, H229, H212	<b>0001 - 9999</b>	Water filter	2033909
			O-rings for water filter	2035815
			O-rings for water filter	2035816
			Water pump	2335548
			Adapter for hose coupling	2029231
			Hose coupling	2031621
			Hose coupling complete	2035493
			Spray nozzle	1232762
			Sieving filter	1212281
			Union nut	1212273
			Nozzle holder	1232770
HD 8 VV, HD 10C VV	H170, H199	<b>0001 - 9999</b>	Water filter	2033909
			O-rings for water filter	2035815
			O-rings for water filter	2035816
			Water pump	2335548
			Spray nozzle	1232762
HD 10 - 12	H171, H200, H230	<b>0001 - 9999</b>	Water filter	2033909
			O-rings for water filter	2035815
			O-rings for water filter	2035816
			Water pump	2335548
			Spray nozzle	1232762

# ORIGINAL HAMM SPRINKLING PARTS

Machine type	Model	Series range <b>NEW</b> (old)	Water sprinkling unit	
			Description	Part No.
HD 10 - 13	H139	<b>0001 - 1485</b> (36437 - 42934)	Water filter complete	823112
			Filter element	386596
			Felt seals for filter element	392731
			Spare glass	1428683
			O-rings for spare glass	392758
			Union nut	390313
			Water pump	2335548
			Spray nozzle	394297
		<b>1486 - 9999</b> (42935 - 99999)	Water filter complete	842397
			Filter element	386596
			Felt seals for filter element	392731
			Spare glass	878685
			O-rings for spare glass	392758
			Union nut	390313
			Water pump	2335548
			Spray nozzle	394297
HD 13 - 14, HD 14 TT	H172, H201, H196, H208	<b>0001 - 9999</b>	Water filter	2033909
			O-rings for water filter	2035815
			O-rings for water filter	2035816
			Water pump	2335548
			Spray nozzle	1232762
HD 70 - 75, HD 90 - 110, HD 120 - 130, HD 150 TT	H152, H153, H163, H168	<b>0001 - 9999</b> (00001 - 99999)	Water filter complete	842397
			Filter element	386596
			Felt seals for filter element	392731
			Spare glass	878685
			O-rings for spare glass	392758
			Union nut	390313
			Water pump	2335548
			Spray nozzle complete (vibration drum)	2027825
			Spray nozzle complete (oscillation drum)	2027844
			Adapter for hose coupling	2029231
			Hose coupling	2031621
Hose coupling complete	2035493			
HD 70 - 75, HD 90 - 110, HD 120 - 130, HD 150 TT	H173, H174, H181, H182, H183, H187, H193	<b>0001 - 9999</b>	Water filter complete	813249

Machine type	Model	Series range NEW (old)	Water sprinkling unit	
			Description	Part No.
HD+ 70i - 80i, HD+ 90 - 110, HD+ 90i - 110i, HD+ 120 - 140, HD+ 120i - 140i	H184, H185, H186, H207, H209	0001 - 9999	Water filter	2033909
			O-rings for water filter	2035815
			O-rings for water filter	2035816
			Spray nozzle complete	2027825
			Adapter for hose coupling	2029231
			Hose coupling	2031621
			Hose coupling complete	2035493
			Spray nozzle	1232762
			Sieving filter	1212281
			Union nut	1212273
			Nozzle holder	1232770
HD+ 70i - 80i, HD+ 90 - 110, HD+ 90i - 110i	H185, H186, H209	0001 - 9999	Water pump	2335548
HD+ 120 - 140	H184	0001 - 0858	Water pump	2335548
		0859 - 9999	Water pump	2245726
HD+ 120i - 140i	H207	0001 - 9999	Water pump	2245726
HW 90	H123	0522 - 1034	Water filter complete	274097
			Filter element	280283
			O-ring	293717
			Spare glass	293598
			Spray nozzle	1212257
			Sieving filter	1212281
			Water pump	2335548
		1035 - 9999	Water filter complete	813249
			Filter element	386596
			O-ring	392731
			Spare glass	878685
			O-rings for spare glass	392758
			Union nut	390313
			Spray nozzle	1212257
			Sieving filter	1212281
			Water pump	2335548



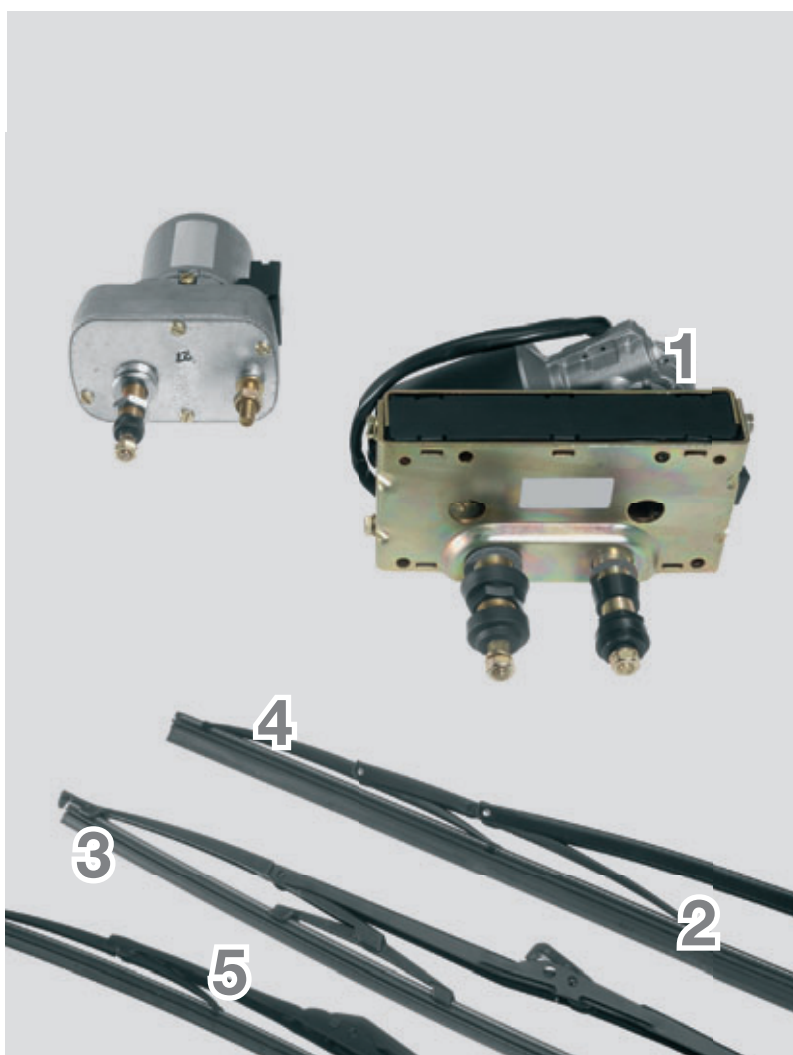
# ORIGINAL HAMM WINDSCREEN WIPERS

The original Hamm windscreen wiper system is optimised for the modern cab concept of the Hamm rollers. Through its powerful configuration, the wiper guarantees the best visibility even in difficult weather conditions.

The original Hamm windscreen wiper system is reliable and service-reduced. The used rubber parts for the wipers are optimised for the application on sites throughout the world. Beside the wiper motor, wiper arms and wiper blades are also available.



- 1 Powerful wiper motor** controls the wiper arms reliably even in heavy rain.
- 2 Wiper arms made of metal** combined with wiper blades and rubber profile are designed for worldwide use.
- 3 The wiper blades** allow an easy and quick installation.
- 4 The wiper's two thin, flexible metal inserts** with rubber profile ensure the uniform distribution of the contact pressure.
- 5 The length and curvature** of the wiper blade is matched to the particular drum type.



Machine type	Model	Series range <b>NEW</b> (old)	Windscreen wipers, wiper arms and wiper blades		
			Description	Front	Rear
2220	H132	<b>0001 - 9999</b> (41693 - 99999)	Wiper motor	1240706	1240633
2320	H155	<b>0357 - 9999</b> (41718 - 99999)	Wiper arm	384666	386006
2420	H141	<b>0863 - 9999</b> (40936 - 99999)			
2520	H142	<b>0149 - 9999</b> (41262 - 99999)	Wiper blade	384674	385999
2620	H144	<b>0069 - 9999</b> (41067 - 99999)			
2420	H141	<b>0288 - 0862</b> (37813 - 40935)	Wiper motor	399353	399345
2520	H142	<b>0064 - 0148</b> (37803 - 41261)	Wiper arm	384666	386006
2620	H144	<b>0015 - 0068</b> (37810 - 41066)	Wiper blade	384674	385999
3010	H133	<b>0204 - 0363</b> (37953 - 40525)	Wiper motor	384658	385972
4010	H134	<b>0271 - 0394</b> (37973 - 40521)	Wiper arm	384666	386006
5011	H135	<b>0007 - 0024</b> (37761 - 40725)	Wiper blade	384674	385999
3010	H133	<b>0364 - 9999</b> (40526 - 99999)	Wiper motor	1240692	1240722
4010	H134	<b>0395 - 9999</b> (40522 - 99999)	Wiper arm	384666	386006
5011	H135	<b>0025 - 9999</b> (40726 - 99999)	Wiper blade	384674	385999
3205, 3307, 3410 - 3411, 3412 - 3414, 3516 - 3520, 3625	H158, H159, H169, H160, H161, H162	<b>0001 - 9999</b>	Wiper motor	1270036	1270044
			Wiper arm	1272152	1272179
			Wiper blade	1272187	1272160

# ORIGINAL HAMM WINDSCREEN WIPERS

Machine type	Model	Series range <b>NEW</b> (old)	Windscreen wipers, wiper arms and wiper blades		
			Description	Front	Rear
3205	H188	<b>0001 - 0052</b>	Wiper motor	1270036	1270044
3307	H189	<b>0001 - 0246</b>			
3410 - 3411	H179	<b>0001 - 1224</b>	Wiper arm	1272152	2073692
3412 - 3414	H180	<b>0001 - 1365</b>			
3516 - 3520	H176	<b>0001 - 1252</b>	Wiper blade	1272187	2073691
3625	H177	<b>0001 - 0058</b>			
3205	H188	<b>0053 - 9999</b>			
3307	H189	<b>0247 - 9999</b>	Wiper motor	2187419	2187516
3410 - 3411	H179	<b>1225 - 9999</b>			
3410 - 3411	H206, H217	<b>0001 - 9999</b>			
3412 - 3414	H180	<b>1366 - 9999</b>	Wiper arm	2187241	2073692
3412 - 3414	H214	<b>0001 - 9999</b>			
3516 - 3520	H176	<b>1253 - 9999</b>	Wiper blade	1272187	2073691
3516 - 3520	H215	<b>0001 - 9999</b>			
3625	H177	<b>0059 - 9999</b>			
H 18i - H 20i - H 25i, H 11i - H 13i - H 16i, H 11ix - H 13ix	H202, H211, H210	<b>0001 - 9999</b>	Wiper motor	2294910	2294905
			Wiper arm	2187241	2294906
			Wiper blade	2294908	2073691
DV 3	H120	<b>0001 - 9999</b> (28792 - 99999)	Wiper motor	356956	
			Wiper arm	356964	
			Wiper blade	385999	
DV 6.4, DV 6.4 PVC, DV 8.4, DV 8.4 PVC	H143, H150, H138, H151	<b>0001 - 9999</b> (00001 - 99999)	Wiper motor	385948	385964
			Wiper arm	385980	385980
			Wiper blade	385999	385999
DV 6 Super	H156	<b>0001 - 9999</b> (00001 - 99999)	Wiper motor	1261185	
DV 8 Super	H157		Wiper arm	1260065	
			Wiper blade	1260073	
DV 40	H164	<b>0001 - 9999</b>	Wiper motor	2035435	
			Wiper arm	2035437	
			Wiper blade	2035438	
DV 65, DV 70, DV 85, DV 90	H197, H165, H191, H198, H166, H192	<b>0001 - 9999</b>	Wiper motor	2034533	
			Wiper arm	2035371	
			Wiper blade	2035372	

Machine type	Model	Series range <b>NEW</b> (old)	Windscreen wipers, wiper arms and wiper blades		
			Description	Front	Rear
HD 70 - 75, HD 90 - 110, HD 120 - 130, HD 150 TT	H152, H173, H153, H174, H181, H163, H175, H182, H168, H183, H187, H193	<b>0001 - 9999</b> (00001 - 99999)	Wiper motor	1247484	1247476
			Wiper arm	1249371	1249150
			Wiper blade	1249398	1249169
HD+ 70i - 80i, HD+ 90 - 110, HD+ 90i - 110i	H185, H186, H209	<b>0001 - 9999</b>	Wiper motor	2135318	2132774 (left) 2132778 (right)
			Wiper arm	2135317	2135308 (left) 2135313 (right)
			Wiper blade	2135320	2135311
HD+ 120 - 140, HD+ 120i - 140i	H184, H207	<b>0001 - 9999</b>	Wiper motor	2132775	2132774 (left) 2132778 (right)
			Wiper arm	2135321	2135308 (left) 2135313 (right)
			Wiper blade	2135320	2135311
GRW 10 - 18	H114, H178, H190	<b>0001 - 9999</b> (00001 - 99999)	Wiper motor	356956	
			Wiper arm	356964	
			Wiper blade	385999	
GRW 280	H195	<b>0001 - 0238</b>	Wiper motor	2132775	2162364 (left) 2162359 (right)
			Wiper arm	2135321	2162358 (left) 2162363 (right)
			Wiper blade	2135320	2162361
GRW 280	H195	<b>0239 - 9999</b>	Wiper motor	2264974	2162364 (left) 2162359 (right)
			Wiper arm	2264973	2162358 (left) 2162363 (right)
			Wiper blade	2264972	
GRW 280, GRW 280i	H229, H212	<b>0001 - 9999</b>	Wiper motor	2264974	2162364 (left) 2162359 (right)
			Wiper arm	2264973	2162358 (left) 2162363 (right)
			Wiper blade	2264972	2162361
HW 90	H123	<b>0001 - 9999</b> (00001 - 99999)	Wiper motor	356956	534250
			Wiper arm	356964	207683
			Wiper blade	385999	224901

# ORIGINAL HAMM ELECTRICAL ACCESSORIES

The original Hamm lighting system allows the safe operation of the Hamm rollers even on night sites.

The robust design of the Hamm headlights ensure operating safety even under the toughest site conditions. The lighting parts are from weatherproof and temperature-resistant material.

Besides the usual headlights and rear lights Hamm also offers direction indicator lamps, side-marker lamps, and the corresponding illuminants.



- 1** Reliable metal mount of the headlights provides a secure hold on the machine.
- 2** The design is tailored to maximum light transmission and illumination.
- 3** Depending on the task of the lights, the appropriate light colour will light through the patterned plastic surface according to the standard.
- 4** The housing of the headlight is made of glass-reinforced plastic.
- 5** The headlights are characterised by their vibration resistance and a high light period.





Machine type	Model	Series range NEW (old)	Lighting			
			Front		Rear	
			Description	Part No.	Description	Part No.
2220	H132	0001 - 9999 (00001 - 99999)	Headlight Illuminant 12 V 45/40 W	311987 209651	Rear light Illuminant 12V 21 W	230286 283150
			Illuminant 12 V 4 W	209635	Illuminant 12V 10 W	283142
			Direction indicator Illuminant 12 V 21 W	311685 283150	Work light Illuminant 12 V 35 W	207500 209619
			Headlight cabin Illuminant 12 V 55 W H3	385077 366528	Rear reflector	221074
2320	H155	0001 - 9999 (00001 - 99999)	Headlight Illuminant 12 V H4	388483 346357	Rear light Illuminant 12 V 21 W	230286 283150
			Illuminant 12 V 4 W	209635	Illuminant 12 V 10 W	283142
			Direction indicator Illuminant 12 V 21 W	311685 283150	Work light Illuminant 12 V 35 W	207500 209619
			Headlight cabin Illuminant 12 V 55 W H3	385077 366528	Rear reflector	221074
2420, 2520, 2620	H141, H142, H144	0001 - 9999 (00001 - 99999)	Headlight Illuminant 12 V H4	388483 346357	Rear light Illuminant 12 V 21 W	230286 283150
			Illuminant 12 V 4 W	209635	Illuminant 12 V 10 W	283142
			Direction indicator Illuminant 12 V 21 W	311685 283150	Work light Illuminant 12 V 35 W	207500 209619
			Side lamp Illuminant 12 V 4 W	354252 209635	Rear reflector	221074
Headlight cab Illuminant 12 V 55 W H3	385077 366528					
3010	H133	0001 - 9999 (00001 - 99999)	Headlight Illuminant 24 V H4	388483 388467	Rear light Illuminant 24 V 10 W	330639 230642
			Illuminant 24 V 4 W	230634	Direction indicator Illuminant 24 V 21 W	311685 230626
			Direction indicator Illuminant 24 V 21 W	311685 230626	Work light Illuminant 24 V 70 W	385085 277568
			Headlight cab Illuminant 24 V 70 W	385077 277568	Rear reflector	221074
3205, 3307	H158, H188, H159, H189	0001 - 9999 (00001 - 99999)	Headlight, left Headlight, right Illuminant 12 V H7	1266985 1266993 1277499	Rear light Illuminant 12 V 10 W	330639 283142
			Illuminant 12 V 21 W Illuminant 12 V 4 W	283150 209635	Direction indicator Illuminant 12 V 21 W	311685 283150
			Headlight cab Illuminant 12 V 55 W H3	1272209 366528	Headlight cab Illuminant 12 V 55 W H3	1272209 366528
			Rear reflector	398225		
3410 - 3411, 3412 - 3414, 3516 - 3520, 3625	H169, H179, H206, H160, H180, H161, H176, H162, H177, H214, H215, H217	0001 - 9999 (00001 - 99999)	Headlight, left Headlight, right Illuminant 12 V H7	1266985 1266993 1277499	Rear light Illuminant 12 V 10 W	330639 283142
			Illuminant 12 V 21 W Illuminant 12 V 4 W	283150 209635	Direction indicator Illuminant 12 V 21 W	311685 283150
			Side lamp, right Side lamp, left Illuminant 12 V 4 W	2029266 2029166 209635	Headlight cab Illuminant 12 V 55 W H3	1272209 366528
			Headlight cab Illuminant 12 V 55 W H3	1272209 366528	Rear reflector	398225

# ORIGINAL HAMM ELECTRICAL ACCESSORIES

Machine type	Model	Series range NEW (old)	Lighting			
			Front		Rear	
			Description	Part No.	Description	Part No.
4010, 5011	H134, H135	0001 - 9999 (00001 - 99999)	Headlight Illuminant 24 V H4 Illuminant 24 V 4 W	388483 388467 230634	Rear light Illuminant 24 V 10 W	330639 230642
			Direction indicator Illuminant 24 V 21 W	311685 230626	Direction indicator Illuminant 24 V 21 W	311685 230626
			Side lamp Illuminant 24 V 4 W	354252 230634	Work light Illuminant 24 V 70 W	385085 277568
			Headlight cab Illuminant 24 V 70 W	385077 277568	Rear reflector	221074
DV 3	H120	0001 - 9999 (28792 - 99999)	Headlight Illuminant 12 V 45/40 W Illuminant 12 V 4 W	311987 209651 209635	Rear light Illuminant 12 V 10 W	330639 283142
			Direction indicator Illuminant 12 V 21 W	311685 283150	Rear reflector Illuminant 12 V 21 W	330647 283150
					Direction indicator Illuminant 12 V 21 W	311685 283150
					Rear reflector	221074
DV 6.22	H118	0001 - 9999 (00001 - 99999)	Headlight Illuminant 12 V 45/40 W Illuminant 12 V 4 W	311987 209651 209635	Headlight Illuminant 12 V 45/40 W Illuminant 12 V 4 W	311987 209651 209635
			Direction indicator Illuminant 12 V 21 W	311685 283150	Three-unit lamp Illuminant 12 V 10 W Illuminant 12 V 21 W	230286 283142 283150
					Rear reflector	221074
DV 6.4, DV 6.4 PVC, DV 6 Super	H143, H150, H156	0001 - 9999 (00001 - 99999)	Headlight Illuminant 12 V H4 Illuminant 12 V 4 W	388483 346357 209635	Headlight Illuminant 12 V H4 Illuminant 12 V 4 W	388483 346357 209635
			Direction indicator Illuminant 12 V 21 W	311685 283150	Direction indicator Illuminant 12 V 21 W	311685 283150
			Headlight cab Illuminant 12 V 55 W H3	1260049 366528	Rear light Illuminant 12 V 10 W	330639 283142
				Rear reflector	398225	
				Headlight cab Illuminant 12 V 55 W H3	1260049 366528	
DV 8.4	H138	0001 - 9999 (00001 - 99999)	Headlight Illuminant 12 V 45/40 W Illuminant 12 V 4 W	311987 209651 209635	Headlight Illuminant 12 V 45/40 W Illuminant 12 V 4 W	311987 209651 209635
			Direction indicator Illuminant 12 V 21 W	311685 283150	Three-unit lamp Illuminant 12 V 10 W Illuminant 12 V 21 W	230286 283142 283150
					Rear reflector	221074

Machine type	Model	Series range NEW (old)	Lighting			
			Front		Rear	
			Description	Part No.	Description	Part No.
DV 8.4 PVC, DV 8 Super	H151, H157	0001 - 9999 (00001 - 99999)	Headlight Illuminant 12 V H4 Illuminant 12 V 4 W	388483 346357 209635	Headlight Illuminant 12 V H4 Illuminant 12 V 4 W	388483 346357 209635
			Direction indicator Illuminant 12 V 21 W	311685 283150	Direction indicator Illuminant 12 V 21 W	311685 283150
					Rear light Illuminant 12 V 10 W	330639 283142
					Rear reflector	398225
		Headlight cab Illuminant 12 V 55 W H3	1260049 366528	Headlight cab Illuminant 12 V 55 W H3	1260049 366528	
DV 40, DV 70, DV 90, DV 65, DV 85	H164, H165, H166, H191, H192, H197, H198	0001 - 9999	Headlight Illuminant 12 V H4	388483 346357	Headlight Illuminant 12 V 55 W H3	385085 366528
			Direction indicator Illuminant 12 V 21 W	311685 283150	Direction indicator Illuminant 12 V 21 W	311685 283150
					Rear light Illuminant 12 V 10 W	330639 283142
			Drum lighting Illuminant 12 V 21 W Illuminant 12 V 10 W	330647 283150 283142	Drum lighting Illuminant 12 V 21 W Illuminant 12 V 10 W	330647 283150 283142
					Rear reflector	2025134
		Headlight cab Illuminant 12 V 55 W H3	2035376 366528	Headlight cab Illuminant 12 V 55 W H3	2035376 366528	
GRW 10 - 24	H114, H178, H190	0001 - 9999 (00001 - 99999)	Headlight Illuminant 12 V 45/40 W Illuminant 12 V 4 W	311987 209651 209635	Headlight Illuminant 12 V 45/40 W Illuminant 12 V 4 W	311987 209651 209635
			Side lamp, left Side lamp, right Illuminant 12 V 4 W	2029166 2029266 209635	Rear light Illuminant 12 V 21 W Illuminant 12 V 10 W	230286 283150 283142
					Rear reflector	221074
GRW 280, GRW 280i	H195, H229, H212	0001 - 9999	Headlight Illuminant 12 V H4 Illuminant 12 V 4 W	2030857 346357 209635	Headlight Illuminant 12 V 21 W	2030859 283150
					Rear light Illuminant 12 V 21 W Illuminant 12 V 21/5 W	2030860 283150 2065509
			Direction indicator Illuminant 12 V 21 W Illuminant 12 V 10 W	2142251 283150 283142	Rear reflector	2025134
H 18i - H 20i - H 25i, H 11i - H 13i - H 16i, H 11ix - H 13ix	H202, H211, H210	0001 - 9999	Headlight, left Headlight, right Illuminant 12 V 21 W Illuminant 12 V 55 W H3 Illuminant 12 V 4 W Illuminant 12 V H7	2173316 2173317 283150 366528 209635 1277499	Rear light Illuminant 12 V 5 W Illuminant 12 V 21 W	2030860 209694 283150
					Reversing light Illuminant 12 V 21 W	2030859 283150



# ORIGINAL HAMM ELECTRICAL ACCESSORIES

Machine type	Model	Series range NEW (old)	Lighting			
			Front		Rear	
			Description	Part No.	Description	Part No.
HD 8 VV, HD 10C VV	H170, H199	0001 - 9999	Headlight Illuminant 12 V H4 Illuminant 12 V 4 W	2030857 346357 209635	Rear light Illuminant 12 V 21 W Illuminant 12 V 21/5 W	2030860 283150 2065509
			Direction indicator Illuminant 12 V 21 W	2030858 2055118	Reversing light Illuminant 12 V 21 W	2030859 283150
					Rear reflector	398225
HD 10 - 12	H171, H200	0001 - 9999	Headlight Illuminant 12 V H4 Illuminant 12 V 4 W	2030857 346357 209635	Rear light Illuminant 12 V 21 W Illuminant 12 V 21/5 W	2030860 283150 2065509
			Direction indicator Illuminant 12 V 21 W	2030858 2055118	Reversing light Illuminant 12 V 21 W	2030859 283150
					Rear reflector	398225
HD 10 - 13	H139	0001 - 1485 (36017 - 42934)	Direction indicator, left Direction indicator, right Illuminant 12 V 21 W	1200631 1200623 283150	Rear reflector Illuminant 12 V 21 W	330647 283150
			Headlight Illuminant 12 V H4 Illuminant 12 V 4 W	388483 346357 209635	Rear light Illuminant 12 V 10 W	330639 283142
					Direction indicator Illuminant 12 V 21 W	311685 283150
		1486 - 9999 (42935 - 99999)	Headlight Illuminant 12 V H4 Illuminant 12 V 4 W	388483 346357 209635	Rear light Illuminant 12 V 10 W	330639 283142
			Direction indicator Illuminant 12 V 21 W	311685 283150	Headlight Direction indicator Illuminant 12 V 21 W	330647 311685 283150
					Rear reflector	398225
HD 13 - 14, HD 14 TT	H172, H201, H196, H208	0001 - 9999	Headlight Illuminant 12 V H4 Illuminant 12 V 4 W	2030857 346357 209635	Rear light Illuminant 12 V 21 W Illuminant 12 V 21/5 W	2030860 283150 2065509
			Direction indicator Illuminant 12 V 21 W	2030858 2055118	Reversing light Illuminant 12 V 21 W	2030859 283150
					Rear reflector	398225
HD 70 - 75, HD 90 - 110, HD 120 - 130, HD 150 TT	H152, H173, H153, H174, H163, H175, H168, H181, H182, H183, H187, H193	0001 - 9999 (00001 - 99999)	Headlight Illuminant 12 V H4 Illuminant 12 V 4 W	388483 346357 209635	Rear light Illuminant 12 V 10 W	330639 283142
			Direction indicator Illuminant 12 V 21 W	311685 283150	Headlight Illuminant 12 V 55 W H3	385085 366528
					Direction indicator Illuminant 12 V 21 W	311685 283150
			Headlight cab Illuminant 12 V 55 W	385077 355283	Headlight cab Illuminant 12 V 55 W	385077 355283
					Rear reflector	398225

Machine type	Model	Series range NEW (old)	Lighting			
			Front		Rear	
			Description	Part No.	Description	Part No.
HD+ 90 - 110	H185	0001 - 9999	Headlight Illuminant 12 V H4 Illuminant 12 V 4 W	2030857 346357 209635	Headlight Illuminant 12 V H4 Illuminant 12 V 4 W	2030857 346357 209635
			Direction indicator Illuminant 12 V 21 W	2142234 283150	Rear light Illuminant 12 V 21 W Illuminant 12 V 21/5 W	2030860 283150 2065509
					Rear reflector	2025134
HD+ 120 - 140	H184	0001 - 0243	Headlight Illuminant 12 V H7	2065584 1277499	Headlight Illuminant 12 V 55 W H3	2060918 366528
			Direction indicator, left Illuminant 12 V 10 W Illuminant 12 V 21 W	2066214 283142 283150	Rear light, left Illuminant 12 V 21 W Illuminant 12 V 21/5 W Rear light, right Illuminant 12 V 21 W Illuminant 12 V 21/5 W	2060712 283150 2065509 2060713 283150 2065509
			Direction indicator, right Illuminant 12 V 10 W Illuminant 12 V 21 W	2066215 283142 283150	Rear reflector	2025134
		0244 - 9999	Headlight Illuminant 12 V H4 Illuminant 12 V 4 W	2030857 346357 209635	Headlight Illuminant 12 V H4 Illuminant 12 V 4 W	2030857 346357 209635
			Direction indicator Illuminant 12 V 21 W	2142234 283150	Rear light Illuminant 12 V 21 W Illuminant 12 V 21/5 W	2030860 283150 2065509
					Rear reflector	2025134
HD+ 70i - 80i, HD+ 90i - 110i, HD+ 120i - 140i	H186, H209, H207	0001 - 9999	Headlight Illuminant 12 V H4 Illuminant 12 V 4 W	2030857 346357 209635	Headlight Illuminant 12 V H4 Illuminant 12 V 4 W	2030857 346357 209635
			Direction indicator Illuminant 12 V 21 W	2142234 283150	Rear light Illuminant 12 V 21 W Illuminant 12 V 21/5 W	2030860 283150 2065509
					Rear reflector	2025134
HW 90	H123	0001 - 9999	Headlight Illuminant 12 V H4 Illuminant 12 V 4 W	346349 346357 209635	Headlight Illuminant 12 V 35 W	207500 209619
			Direction indicator Illuminant 12 V 21 W	230375 283150	Rear light Illuminant 12 V 21 W Illuminant 12 V 10 W	230286 283150 283142
					Rear reflector	221074





# ORIGINAL HAMM EMERGENCY KITS FOR ELECTRONIC SYSTEMS AND WATER SPRINKLING

Small malfunctions in the electronic or electric system can disturb the site work severely. With the original Hamm service package, you will have all necessary sensors, relays, switches, fuses as well as control elements at your disposal locally. The machine can continue the operation without longer downtime. Due to the variety of parts, your service and maintenance staff is supported effectively. The original Hamm service packages should not be missing in any workshop or service car.



Machine type	Model	Series range	Version	Electronic systems	Water sprinkling	
				Emergency kit	Service package	Driver kit
3205, 3307, 3410 - 3411, 3412 - 3414, 3516 - 3520, 3625	H158, H159, H169, H160, H161, H162	0001 - 9999	Standard	2035790		
			Hammtronic	2034656		
3205, 3307, 3410 - 3411, 3412 - 3414, 3516 - 3520, 3625	H188, H189, H179, H180, H176, H177	0001 - 9999	Standard	2117310		
			Hammtronic	2117311		
DV 6 Super	H156	0001 - 9999		2035762	2032389	
DV 8 Super	H157	0001 - 9999		2035762	2032389	
DV 40	H164	0001 - 9999				2047936
DV 70, DV 65	H165	0001 - 9999		2035744	2032389	2047936
	H191, H197	0001 - 9999		2117318	2032389	2047936
DV 85, DV 90	H166	0001 - 9999		2035744	2032389	2047936
	H192, H198	0001 - 9999		2117319	2032389	2047936

Machine type	Model	Series range	Version	Electronic systems	Water sprinkling	
				Emergency kit	Service package	Driver kit
GRW 280, GRW 280i	H195, H229, H212	0001 - 9999				2196411
HD 8 - 10C, HD 10 - 12, HD 13 - 14	H170, H171, H172	0001 - 9999				2047906
HD 10 - 13	H139	0001 - 9999				2047945
HD 70 - 75, HD 90 - 110, HD 120 - 130, HD 150 TT	H152, H153, H163, H168	0001 - 9999	Standard	2035747	2039034	2047933
HD 90 - 110			Divided drum (ASC)	2035760	2039034	2047933
HD 120 - 130					2039034	2047944
HD 150 TT					2039034	2047944
HD 70 - 75, HD 90 - 110, HD 120 - 130, HD 150 TT	H187, H181, H182, H193	0001 - 9999	Standard	2117312	2039034	2047933
HD 90 - 110	H187, H181, H182, H193	0001 - 9999	Standard	2117312	2039034	2047933
HD 120 - 130			Divided drum (ASC)	2117313	2039034	2047933
HD 150 TT					2039034	2047944
HD+ 70i - 80i, HD+ 90 - 110, HD+ 90i - 110i, HD+ 120 - 140, HD+ 120i - 140i	H184, H185, H186, H207, H209	0001 - 9999				2117320
All types		0001 - 9999			2039036	

# ORIGINAL HAMM SPECIAL TOOLS

## Frequency meter

Part No.: 2256382

The frequency meter is used for testing and setting the belt tension on oscillation and VIO drums.



## Frequency meter and amplitude meter

Part No.: 2277444

With these special tools the vibration frequencies and the amplitude of vibration drums can be measured.



## Oscillating drum adjusting tool

Part No.: 2247253

This tool is used to adjust the oscillating drum after a belt change or after a repair.

The adjusting tool is matching for all oscillating drums of series HD+ 120-140 (H184, H207) and HD 120-130 (H175, H182, H275).





Close to  
our customers





# ORIGINAL HAMM SERVICE PACKAGES FOR FILTER ELEMENTS

An original Hamm filter is safe, reliable and cleans efficiently.

Original Hamm filters effectively protect the installed aggregates from damaging particles and guarantee maximum service life of the modern Diesel and hydraulic aggregates.

Original Hamm service packages include all necessary parts per maintenance step, exactly coordinated for the particular machine type.





Machine type	Model	Series range NEW (old)	Replacement interval				
			50 h	250 h	500 h, 1500 h, 2500 h ...	1000 h, 3000 h, 5000 h ...	2000 h, 4000 h, 6000 h ...
2220	H132	<b>0002 - 0026</b> (41693 - 42065)			2020420	2020423	2020424
		<b>0027 - 9999</b> (42499 - 99999)			2020420	2020421	2020422
2320	H155	<b>0357 - 0456</b> (41718 - 42345)			2020314	2020317	2020318
		<b>0457 - 9999</b> (42657 - 99999)			2020287	2020291	2020302
2420	H141	<b>0288 - 1062</b> (37813 - 41611)			2020271	2018605	2018604
		<b>1063 - 1277</b> (41888 - 42841)			2014838	2014799	2014797
		<b>1278 - 9999</b> (42892 - 99999)			2014796	2014795	2014778
2520	H142	<b>0064 - 0130</b> (37803 - 40515)			2020505	2020506	2020507
		<b>0131 - 0148</b> (40931 - 41075)			2020510	2020509	2020508
		<b>0149 - 9999</b> (41262 - 99999)			2020513	2020512	2020511
2620	H144	<b>0015 - 0057</b> (37810 - 40514)			2020505	2020506	2020507
		<b>0058 - 0093</b> (40721 - 43102)			2020510	2020509	2020508
		<b>0094 - 9999</b> (43102 - 99999)			2020513	2020512	2020511
2720	H154	<b>0001 - 9999</b> (41692 - 99999)			2020514	2020516	2020515
3011	H133	<b>0204 - 0353</b> (37953 - 40307)			2013875	2013874	2013831
		<b>0354 - 9999</b> (40333 - 99999)			2013875	2020541	2013876
3205	H158	<b>0001 - 0032</b> (44915 - 48511)			2013742	2013738	2013704
		<b>0033 - 0245</b> (49092 - 99999)	2013703		2013679	2013662	2013636
		<b>0246 - 9999</b>	2051657		2051661	2051662	2051663
	H188	<b>0001 - 0052</b>	2057970		2057971	2057972	2057973
		<b>0053 - 9999</b>	2221165		2221168	2221170	2221172

Due to possible technical changes, please always compare with the information in the instruction manual.

# ORIGINAL HAMM SERVICE PACKAGES FOR FILTER ELEMENTS

Machine type	Model	Series range NEW (old)	Replacement interval				
			50 h	250 h	500 h, 1500 h, 2500 h ...	1000 h, 3000 h, 5000 h ...	2000 h, 4000 h, 6000 h ...
3307	H159	<b>0001 - 0005</b> (44041 - 45680)			2029812	2029813	2029855
		<b>0006 - 0155</b> (45681 - 48771)			2013604	2013517	2013500
		<b>0156 - 0976</b> (49452 - 99999)	2013609		2013594	2013514	2013491
		<b>0977 - 9999</b>	2051652		2051654	2051655	2051656
	H189	<b>0001 - 0246</b>	2058130		2058131	2058132	2058133
		<b>0247 - 9999</b>	2243713		2243406	2243408	2243409
3410 - 3411	H169	<b>0001 - 0213</b> (61361 - 99999)	2012873		2012861	2012848	2012843
		<b>0214 - 9999</b>	2034356		2034358	2034359	2034360
	H179	<b>0001 - 9999</b>	2060088		2060092	2060093	2060094
	H269	<b>0001 - 9999</b>	2034356		2034358	2034359	2034360
	H206	<b>0001 - 9999</b>	2130142		2130143	2130145	2130147
	H217	<b>0001 - 9999</b>	2325208		2325215		2325216
3412 - 3414	H160	<b>0002 - 0327</b> (43589 - 48926)			2013469	2013448	2013410
		<b>0328 - 0457</b> (49132 - 50176)			2013455	2013441	2012629
		<b>0458 - 1026</b> (50289 - 99999)	2012873		2012861	2012848	2012843
		<b>1027 - 9999</b>	2034356		2034358	2034359	2034360
	H180	<b>0001 - 1346</b>	2060095		2060096	2060098	2060099
		<b>1347 - 9999</b>	2215509		2215512		2215513
	H214	<b>0001 - 9999</b>	2186745		2186746		2186747
	3516 - 3520	H161	<b>0001 - 0156</b> (43553 - 48881)			2012929	2013162
<b>0157 - 0296</b> (49067 - 50683)					2013253	2013252	2013250
<b>0297 - 0641</b> (50764 - 99999)			2013273		2013276	2013281	2013289
<b>0642 - 9999</b>			2034361		2034396	2034404	2034405
H176		<b>0001 - 1501</b>	2043632		2043633	2043635	2043637
		<b>1502 - 9999</b>	2218059		2218061	2218061	2218064
H215		<b>0001 - 9999</b>	2203258		2203261	2203261	2203264
3625		H162	<b>0053 - 9999</b>	2034436		2034451	2034457
	H177	<b>0001 - 0058</b>	2043632		2043633	2043635	2043637
		<b>0059 - 9999</b>	2218059		2218061	2218061	2218064
4011 (89 kW)	H134	<b>0271 - 0386</b> (37973 - 40515)			2013894	2024083	2013916
		<b>0387 - 9999</b> (40516 - 99999)			2013894	2024085	2014022

Due to possible technical changes, please always compare with the information in the instruction manual.

Machine type	Model	Series range NEW (old)	Replacement interval				
			50 h	250 h	500 h, 1500 h, 2500 h ...	1000 h, 3000 h, 5000 h ...	2000 h, 4000 h, 6000 h ...
4011 (98 kW)	H134	<b>0271 - 0386</b> (37973 - 40515)			2013894	2024072	2014018
		<b>0387 - 9999</b> (40516 - 99999)			2013894	2020539	2014029
DV 3	H120	<b>1150 - 9999</b> (41002 - 99999)			2020465	2020464	2020464
DV 6 Super	H156	<b>0001 - 9999</b> (43442 - 99999)			2020476	2020477	2020478
DV 6.4	H143	<b>0002 - 0036</b> (37647 - 37801)			2020466	2020467	2020468
		<b>0037 - 0196</b> (37913 - 39997)			2020469	2020470	2020471
DV 6.4 PVC	H150	<b>0001 - 9999</b> (40398 - 43441)			2020472	2020473	2020474
DV 8 Super	H157	<b>0001 - 9999</b> (43483 - 99999)	2020485		2020486	2020487	2020488
DV 8.4	H138	<b>0292 - 0381</b> (37863 - 39317)			2028891	2028892	2028893
		<b>0382 - 0422</b> (39538 - 40400)			2020479	2020480	2020481
DV 8.4 PVC	H151	<b>0001 - 9999</b> (40401 - 99999)			2020482	2020483	2020484
DV 40	H164	<b>0001 - 0172</b>	2024045		2024047	2024048	2024054
		<b>0173 - 9999</b>	2111741		2111742	2111743	2111744
DV 70	H165	<b>0002 - 9999</b> (61478 - 99999)	2024055		2024056	2024058	2024059
	H191	<b>0001 - 9999</b>	2050500		2050501	2050503	2050555
DV 65	H197	<b>0001 - 9999</b>	2050500		2050501	2050503	2050555
DV 90	H166	<b>0003 - 9999</b> (61111 - 99999)	2024060		2024061	2024069	2024070
	H192	<b>0001 - 9999</b>	2051236		2051237	2051248	2051250
DV 85	H198	<b>0001 - 9999</b>	2051236		2051237	2051248	2051250
GRW 10 - 18 (Cummins)	H114	<b>0693 - 0992</b> (37492 - 41877)			2020429	2020430	2020431
GRW 10 - 18 (BF4M1013E)	H114	<b>0993 - 1042</b> (42394 - 42706)			2020426	2020427	2020428
		<b>1043 - 1558</b> (43077 - 48861)			2020441	2020440	2020425
		<b>1559 - 1738</b> (49097 - 99999)	2020425		2020438	2020437	2020436
		<b>1739 - 9999</b>	2041764		2041737	2041740	2041741
GRW 10 - 18 (BF4M2012C)	H114	<b>1709 - 2241</b> (50669 - 99999)	2020432		2020433	2020434	2020435
		<b>2242 - 9999</b>	2060117		2060119	2060120	2060121
	H178	<b>0001 - 9999</b>	2060117		2060119	2060120	2060121

Due to possible technical changes, please always compare with the information in the instruction manual.

# ORIGINAL HAMM SERVICE PACKAGES FOR FILTER ELEMENTS

Machine type	Model	Series range NEW (old)	Replacement interval				
			50 h	250 h	500 h, 1500 h, 2500 h ...	1000 h, 3000 h, 5000 h ...	2000 h, 4000 h, 6000 h ...
GRW 10 - 24 (TCD 2012)	H190	<b>0001 - 9999</b>	2047980		2047998	2048005	2048025
GRW 280	H195, H229	<b>0001 - 9999</b>			2160576	2160576	2160577
GRW 280i	H212	<b>0001 - 9999</b>			2283765	2283765	2283770
H 11i - H 13i - H 16i	H211	<b>0001 - 9999</b>	2308768		2260053	2260053	2260055
H 11ix - H 13ix	H210	<b>0001 - 9999</b>			2356666	2356666	2356671
H 18i - H 20i - H 25i	H202	<b>0001 - 9999</b>	2194245		2204871	2204871	2204874
HD 8 VV, HD 10C VV	H170	<b>0001 - 9999</b>	2057805		2057806	2057807	2057808
	H199	<b>0001 - 0220</b>	2151915		2151916	2151916	2151917
		<b>0221 - 2090</b>	2171751		2171753	2171753	2171754
		<b>2091 - 9999</b>	2371678	2160199	2371680	2371680	2371682
HD 10 - 12	H171	<b>0001 - 9999</b>	2057801		2057802	2057803	2057804
	H200	<b>0001 - 0688</b>	2151918		2151919	2151919	2151921
		<b>0689 - 4322</b>	2171757		2171758	2171758	2171760
		<b>4323 - 9999</b>	2349670	2349675	2349677	2349677	2349678
	H230	<b>0001 - 9999</b>	2349670	2349675	2349677	2349677	2349678
HD 10 - 13	H139	<b>1486 - 9999</b> (42935 - 99999)	2020442		2020443	2020444	2020445
HD 13 - 14	H172	<b>0001 - 9999</b>	2057400		2057401	2057402	2057404
	H201	<b>0001 - 0169</b>	2151922		2151924	2151924	2151927
		<b>0170 - 9999</b> (without cabin)	2171507	251496	2171508	2171508	2171509
		<b>0170 - 9999</b> (with cabin)	2171507	251496	2171508	2171508	2271371
HD 14 TT	H196	<b>0001 - 9999</b>	2057400		2057401	2057402	2057404
	H208	<b>0001 - 9999</b> (without cabin)	2166257	251496	2166258	2166258	2166259
		<b>0001 - 9999</b> (with cabin)	2171507	251496	2271706	2271706	2271707
HD 70 - 75	H152	<b>0001 - 0017</b> (41527 - 42324)			2020446	2020448	2020449
		<b>0018 - 0448</b> (42325 - 48871)			2020451	2020452	2020453
		<b>0449 - 0660</b> (49032 - 61486)	2020454		2020455	2020456	2020457
		<b>0661 - 9999</b> (61487 - 99999)	2029661		2029693	2029696	2029726
	H173	<b>0001 - 0343</b> (0001 - 0266)	2029661		2029693	2029696	2029726
		<b>0344 - 9999</b>	2052620		2052622	2052623	2052624
	H187	<b>0001 - 0613</b>	2058010		2058011	2058012	2058013
		<b>0614 - 9999</b>	2249211		2249212	2249215	2249216

Due to possible technical changes, please always compare with the information in the instruction manual.

Machine type	Model	Series range NEW (old)	Replacement interval				
			50 h	250 h	500 h, 1500 h, 2500 h ...	1000 h, 3000 h, 5000 h ...	2000 h, 4000 h, 6000 h ...
HD 85 - 100 (F4L 912)	H122	<b>0083 - 9999</b> (32959 - 99999)			2020458	2020459	2020460
HD 85 - 100 (BF4L 913)	H122	<b>0083 - 9999</b> (32959 - 99999)			2020461	2020462	2020463
HD 90 - 110	H153	<b>0001 - 0043</b> (40961 - 42250)			2020502	2020503	2020504
		<b>0044 - 0685</b> (42537 - 48851)	2020491		2020495	2020498	2020501
		<b>0686 - 0925</b> (48972 - 50612)	2020490		2020493	2020497	2020500
		<b>0926 - 9999</b> (60175 - 99999)	2020489		2020492	2020496	2020499
	H174	<b>0001 - 9999</b>	2020489		2020492	2020496	2020499
	H181	<b>0001 - 9999</b>	2060101		2060103	2060104	2060105
HD 120 - 130	H163	<b>0001 - 0108</b> (42564 - 48501)	2020491		2020495	2020498	2020501
		<b>0109 - 9999</b> (48757 - 50693)	2020490		2020493	2020497	2020500
		<b>0184 - 9999</b> (60185 - 99999)	2020489		2020492	2020496	2020499
	H175	<b>0001 - 9999</b>	2020489		2020492	2020496	2020499
	H182	<b>0001 - 9999</b>	2060107		2060110	2060111	2060112
	H275	<b>0001 - 9999</b>	2020489		2020492	2020496	2020499
HD 150 TT	H168	<b>0002 - 9999</b> (50177 - 99999)	2020517		2020518	2020519	2020520
	H183	<b>0001 - 9999</b>	2060113		2060114	2060115	2060116
	H193	<b>0001 - 9999</b>	2048055		2048063	2048110	2048128
HD+ 70i - 80i	H186	<b>0001 - 9999</b>			2318278	2318278	2318283
HD+ 90 - 110	H185	<b>0001 - 9999</b>			2140973	2140973	2140976
HD+ 90 - 110i	H209	<b>0001 - 9999</b>			2277490	2277490	2277491
HD+ 120 - 140	H184	<b>0001 - 0053</b>			2057901	2057901	2057903
		<b>0054 - 9999</b>			2057901	2057901	2140976
HD+ 120i - 140i	H207	<b>0001 - 9999</b>	2308768		2308636	2308636	2308637
HW 90	H123	<b>0522 - 0541</b> (37702 - 37721)			2013780	2013756	2013749
		<b>0542 - 0861</b> (38033 - 61557)	2013815		2013830	2013829	2013817
		<b>0862 - 0989</b> (61558 - 99999)	2029734		2029736	2029756	2029775
		<b>0990 - 1023</b>	2052612		2052614	2052615	2052618
		<b>1024 - 1110</b>	2058251		2058252	2058253	2058254
		<b>1111 - 9999</b>	2370197		2370199	2370201	2370202

Due to possible technical changes, please always compare with the information in the instruction manual.



# ORIGINAL HAMM MAINTENANCE PACKAGES

Hamm maintenance packages contain all the necessary air, fuel, motor oil and hydraulic fluid filters and the corresponding lubricants, oils, liquids and seals appropriate for the roller types concerned.



Machine type	Model	Series range	Replacement interval				
			50 h	250 h	500 h, 1500 h, 2500 h ...	1000 h, 3000 h, 5000 h ...	2000 h, 4000 h, 6000 h ...
DV 65 VV / VT	H197	0040 - 9999					2410342
DV 70 VV / VT	H191	0115 - 9999			2410341	2410341	
DV 65 VO / TO	H197	0040 - 9999					2410343
DV 70 VO / TO	H191	0115 - 9999					
DV 85 VV / VT	H198	0050 - 9999					2410346
DV 90 VV / VT	H192	0120 - 9999			2410345	2410345	
DV 85 VO / TO	H198	0050 - 9999					2410348
DV 90 VO / TO	H192	0120 - 9999					
HD 8 / 10C VV / VT	H199	0221 - 2090	2410350	2410355	2410360	2410360	2410369
HD 8 / 10C VV / VT		2091 - 9999	2410352		2410364	2410364	2410372
HD 10 / 12 VV / VT	H200	0689 - 4322	2410373	2410376	2410378	2410378	2410382
HD 10 / 12 VO		0689 - 4322					2410384
HD 10 / 12 VV / VT	H200, H230	4323 - 9999	2410483		2410380	2410380	2410386
HD 10 / 12 VO		4323 - 9999					2410390
HD 13 / 14 VV / VT (with cabin)	H201	0170 - 9999	2410485	2410464	2410456	2410456	2410392
HD 13 / 14 VV / VT (without cabin)			2410486				2410394
HD 13 / 14 VO (with cabin)	H201	1351 - 9999	2410487				2410397
HD 13 / 14 VO (without cabin)			2410488				2410409
HD 14 TT (with cabin)	H208	0001 - 9999	2410489	2410492	2410458	2410458	2410411
HD 14 TT (without cabin)							2410413

Due to possible technical changes, please always compare with the information in the instruction manual.

# ORIGINAL HAMM MAINTENANCE PACKAGES

Machine type	Model	Series range	Replacement interval				
			50 h	250 h	500 h, 1500 h, 2500 h ...	1000 h, 3000 h, 5000 h ...	2000 h, 4000 h, 6000 h ...
HD 70	H187	0614 - 9999			2410460	2410431	2410415
HD 75						2410433	2410417
HD 70 / 75 K						2410436	2410419
HD O70V / O75V / O75K (ASC)						2410446	2410421
HD O75V						2410448	2410423
HD 75.4 / HD 75.4K (ASC)						2410450	2410425
HD 90 / 110 / 110 HV / 110 VHV	H181	1889 - 9999	2410490		2410462	2410452	2410427
HD 90 / 110 K						2410454	2410430
HD 90.4 (ASC)						2410344	2410347
HD O90V						2410349	2410351
HD O90V (ASC)							
HD O90K (ASC)							
HD+ 70i / 80i VV / HV	H186	0001 - 9999			2410353	2410353	2410354
HD+ 70i / 80i VO							2410356
HD+ 70i / 80i VT							2410357
HD+ 80i VV-S / VT-S							2410359
HD+ 80i VO-S							2410361
HD+ 90 / 110 VV / HV	H185	0001 - 9999			2410362	2410362	2410363
HD+ 90 / 110 VO							2410365
HD+ 90 / 110 VT							2410366
HD+ 90 VV-S / VT-S							2410367
HD+ 90 VO-S							2410368
HD+ 90i / 110i VV / HV	H209	0001 - 9999			2410370	2410370	2410371
HD+ 90i / 110i VO							2410374
HD+ 90i / 110i VT							2410375
HD+ 90i VV-S / VT-S							2410377
HD+ 90i VO-S							2410379

Due to possible technical changes, please always compare with the information in the instruction manual.

Machine type	Model	Series range	Replacement interval				
			50 h	250 h	500 h, 1500 h, 2500 h ...	1000 h, 3000 h, 5000 h ...	2000 h, 4000 h, 6000 h ...
HD+ 120 VV / HV	H184	0054 - 9999					2410383
HD+ 120 / 140 VO					2410381	2410381	2410385
HD+ 140 VV / HV							
HD+ 120i VV / HV	H207	0001 - 9999					2410389
HD+ 120i / 140i VO					2410388	2410388	2410391
HD+ 140i VV / HV							
3205	H188	0378 - 9999	2410479		2410395	2410396	2410398
3307	H189	1127 - 9999					2410403
3307 VIO			2410399		2410400	2410402	2410404
3410 / 3411	H179	1207 - 9999	2410405		2410406	2410407	2410408
3410 / 3411	H206	0081 - 9999	2410410		2410412	2410414	2410416
3412 / 3414	H180	1357 - 9999					2410424
3412 / 3414 VIO			2410418		2410420	2410422	2410426
3516 / 3518 / 3520	H176	1502 - 9999	2410428		2410429	2410432	2410434
3625	H177	0059 - 9999	2410435		2410437	2410438	2410439
H11i / H13i / H16i	H211	0001 - 9999					2410443
H13i VIO			2410440		2410441	2410442	2410444
H18i / H20i / H25i	H202	0001 - 9999	2410445		2410447	2410449	2410451
H11ix / H13ix	H210	0001 - 9999	2410453		2410455	2410457	2410459
HW 90	H123	1024 - 9999	2410461		2410463	2410465	2410466
GRW 10 / 15 / 18 / 21 / 24	H190	0001 - 9999	2410467		2410468	2410469	2410470
GRW 280	H195	0001 - 9999	2410540		2410541	2410542	2410543
	H229	0001 - 9999	2410471		2410472	2410473	2410474
GRW 280i	H212	0001 - 9999	2410475		2410476	2410477	2410478

Due to possible technical changes, please always compare with the information in the instruction manual.

# ORIGINAL WIRTGEN GROUP LUBRICANTS



Close to  
our customers

## Premium lubricants

Wirtgen Group lubricants combine the best possible basic oils and unique additives in customised specifications. The advantages for you:

- Extended oil-change intervals based on oil analysis in the Wirtgen Group
- Compatibility with the first filling
- Optimum protection against wear
- Perfect protection against corrosion
- Traceability in the event of damage

Wirtgen Group lubricants consequently improve the performance and service life of your machines while at the same time durably cutting their running costs. The sensible way to save money!



## One-stop supply

All Wirtgen Group machines – whether Wirtgen milling machine, Vögele paver, Hamm roller or Kleemann plant can be filled and lubricated with the corresponding Wirtgen Group lubricant for each application.\* Together with the carefully coordinated mixture of container sizes, this results in optimised ordering, storage and filling processes.

## Accessories for filling and lubrication

Highly functional accessories “made in Germany”, such as canister pumps and grease guns, are available to assist you in filling and lubricating your machines.



\*Exceptions are indicated



# ORIGINAL WIRTGEN GROUP ACCESSORIES FOR FILLING AND LUBRICATION



## Oil pumps

**Hand pump for 20-l canisters**  
Part No.: 2065044

- Piston pump
- Delivery hose with spring-loaded spiral and anti-kink spring
- Non-drip spout with holder
- Foot valve

**Lever-operated hand pump for 208-l barrels**  
Part No.: 2065045

- Made of metal
- Telescoping intake tube
- Pivotal delivery manifold
- Delivery capacity: 0.2 l / stroke



## Filling cylinder and grease presses

**Filling cylinder**  
Part No.: 2065046 (500 g)  
Part No.: 2065047 (1000 g)

- Made of metal
- Flexible hose

**Grease press / grease gun**  
Part No.: 2065049

- Made of metal
- High pressure output
- Size: 400-g cartridge



## Filling cans and funnels

**Filling cans**  
Part No.: 2065041 (1 l)  
Part No.: 2065042 (2 l)  
Part No.: 2065043 (5 l)

- Flexible spout
- Complete with lid
- Different sizes

**Filling funnels**  
Part No.: 2065039 (180 mm)  
Part No.: 2065040 (220 mm)

- Transparent plastic material
- Complete with lid
- Different diameters

# ORIGINAL WIRTGEN GROUP LUBRICANTS IN DETAIL

Engine oil					
Designation	Description	Class	Exhaust gas standard	Container	Part No.
Wirtgen Group Engine Oil 15W-40	Powerful high-performance engine oil made from excellent basic oils and special additives. Increases the performance output of your engine while at the same time ensuring maximum operational reliability.	ACEA E7/E5, API CI-4 plus	EURO 2, 3 and 4	5 l	2065020
				20 l	2065025
				208 l	2065026
Wirtgen Group Engine Oil 10W-40	The smooth-running engine oil produced using modern synthesis technology with outstanding wear protection and cleaning characteristics is suitable for exhaust gas standards TIER 1, 2, 3 (EURO 3a). For excellent and safe operating properties. Enables longer maintenance intervals as approved by the engine manufacturer.	ACEA E7/E5, API CF	EURO 4 and 5	5 l	2112355
				20 l	2112354
				208 l	2219171
Wirtgen Group Engine Oil "Low SAPS" 10W-30	Semi-synthetic "Low SAPS" engine oil (low sulphated ash, sulphur and phosphorous content) with fuel economy technology. Its low sulphate ash content ensures that burnt oil particles do not prematurely clog the emissions aftertreatment particle filter (DPF).	ACEA E9/E7, API CJ-4	EPA/CARB Tier 4i/f, EU-2004/26/EG Stage IIIB	5 l	2210320
				20 l	2210322
				208 l	2210323
Wirtgen Group Engine Oil "Low SAPS" 10W-40	The very latest synthetic diesel engine oil, extremely high performance, "Low SAPS" (lower levels of sulphur, sulphated ash and phosphor). The engine oil has been specially developed for use in all diesel engines with particle filters (DPF) and SCR systems (adBlue). Helps protect the environment by reducing harmful emissions.	ACEA E6/E7, E4-99 (API CI-4)	EPA/CARB Tier 4f, EU-2004/26/EG Stage 4	5 l	2346869
				20 l	2346870
				208 l	2346871



Close to  
our customers

Hydraulic oil				
Designation	Description	Class	Container	Part No.
Wirtgen Group Hydraulic Oil HVLP 46	High-grade multi-range hydraulic oil with high viscosity index for optimum protection against wear, even in the most difficult service conditions. Thanks to its enhanced specifications, it can be used with long replacement intervals. Optimum cold starting properties are guaranteed.	DIN 51524 Part 3 Type HVLP, ISO 6743/4 HV	20 l	2065028
			208 l	2065029
Wirtgen Group Hydraulic Oil HVLP 68	Zinc hydraulic fluid with high viscosity index	DIN 51524 Part 3 Type HLVP, DIN EN ISO 6743 Part 4 HV	20 l	2118574
Wirtgen Group Bio Hydraulic Oil 46	Rapidly biodegradable multi-use hydraulic fluid reduces wear and provides optimum protection against rust and corrosion. As per EU Eco-label criteria.	ISO 15380 HEES	20 l	2118575
			208 l	2270558

Gear oil				
Designation	Description	Class	Container	Part No.
Wirtgen Group Gear Oil 85W-90	Mineral gear oil of the latest generation for versatile use in gearboxes and axle drives. Stands out through maximum protection against wear and oxidation. Note: Must not be used for Wirtgen milling drum gearboxes, Hamm vibratory bearings and drum drives, as well as for Vögele pump splitter gearboxes and travel drives.	API GL-5	5 l	2065030
			20 l	2065031
			208 l	2065032
Wirtgen Group High-Performance Gear Oil VG 220	Exclusive all-synthetic gear oil designed for heavy-duty use in Wirtgen milling drum gearboxes. Extremely resistant to pressure and temperature. Note: Never mix with mineral gear oil. Must not be used for Hamm vibratory bearings and drum drives.	DIN 51517-3 CLP, ISO 6743-6	5 l	2170074
			20 l	2065033
			208 l	2065034
Wirtgen Group High-Performance Gear Oil VG 150	Exclusive all-synthetic gear oil designed for heavy-duty use in Wirtgen milling drum gearboxes. Extremely resistant to pressure and temperature. Note: Never mix with mineral gear oil. Must not be used for Hamm vibratory bearings and drum drives.	DIN 51517-3 CLP, ISO 6743-6	5 l	2173019
			20 l	199752
Wirtgen Group Special Gear Oil	Special all-synthetic high-performance gear oil for Hamm vibratory bearings and drum drives, as well as for Vögele pump splitter gearboxes and travel drives. Extremely resistant to pressure and temperature. Notes: Must not be mixed with mineral gear oil. Must not be used for Wirtgen milling drum gearboxes.	API GL-5	5 l	1238051
			20 l	2065037
			208 l	2065038

# ORIGINAL WIRTGEN GROUP LUBRICANTS IN DETAIL

Grease			
Designation	Description	Container	Part No.
Wirtgen Group Multipurpose Grease	Highly refined multipurpose grease for a wide range of lubricating jobs, such as on link pins and wheel bearings. State-of-the-art additive technology makes this product particularly suitable for use in conditions subject to impacts and vibration.	400 g	2065035
Wirtgen Group Clutch and Remixer Grease	Exclusive grease for use in clutches and Wirtgen remixers.	400 g	47259
Wirtgen Group Friction and Roller Bearing Grease	Exclusive grease for lubricating rolling and plain bearings exposed to high temperatures in Vögele machines.	18 kg	2027868
		12 x 400 g	2086136
Wirtgen Group Telescoping Tube Grease	Special high-performance grease based on silicone for use on Vögele telescoping tubes.	100 g	2086137
Wirtgen Group Low-Viscosity Grease	Thermally stable, high-performance low-viscosity grease with exceptional wear-resistance properties for Vögele auger drives.	5 kg	2050152
Wirtgen Group Asphalt Anti Stick	Perfect solution for Hamm rubber and combined wheel rollers: It prevents adhesion of the bitumen on the rubber tyres. The emulsion is based on a non-toxic solution and is thus rapidly biodegradable.	5 l	2117378
		20 l	2117379
Wirtgen Group Drum Bearing Grease	Exclusive grease for lubricating Hamm drum bearings. Extremely resistant to temperature and pressure.	1 kg	1205757
Wirtgen Group Drive Bearing Grease	Special high-performance grease for use in Hamm drive bearings. Extremely resistant to pressure and water-repellent.	1 kg	1227114
Wirtgen Group Quick-Change Toolholder Grease	Lubricant for greasing the Wirtgen quick-change toolholder.	480 g	2310279

Other lubricants			
Designation	Description	Container	Part No.
Wirtgen Group Clutch Fluid 32	High-performance hydraulic fluid for use in couplers of Kleemann machines.	5 l	2268030
		20 l	2268032
Wirtgen Group Antifreezing Compound	Coolants, anti-freeze and anti-corrosion agents.	5 l	2173022
		20 l	2173023
		208 l	2173024
Wirtgen Group Silicone Transformer Liquid	DOW transformer oil can be used in the magnetic separator in Kleemann systems.	20 l	2346389







# LUBRICANT REQUIREMENTS WHEN USING ORIGINAL WIRTGEN GROUP LUBRICANT CONTAINERS

Machine type	Model	Series range NEW (old)	Engine Oil 15W-40 Container size 5 l Part No. 2065020		Special Gear Oil Container size 5 l Part No. 1238051		
			Filling capacity	Quantity	Drum type	Filling capacity	Quantity/ Drum
2220	H132	0002 - 9999 (41693 - 99999)	8 l	2	Smooth	8.5 l	2
					Padfoot	7.5 l	2
2320	H155	0357 - 9999 (41718 - 99999)	10.5 l	3	Smooth	17 l	4
					Padfoot	1.6 l	1
2420	H141	0288 - 1062 (37813 - 41611)	14 l	3	Smooth/padfoot	3.2 l	1
					Oscillation	13 l	3
		1063 - 9999 (41888 - 99999)	15.5 l	4	Smooth/padfoot	3.2 l	1
					Oscillation	13 l	3
2520	H142	0064 - 0130 (37803 - 40515)	21 l	5	Smooth/padfoot	4 l	1
		0131 - 9999 (40931 - 99999)	18.5 l	4			
2620	H144	0015 - 0057 (37810 - 40514)	21 l	5	Smooth/padfoot	4 l	1
		0058 - 9999 (40721 - 99999)	18.5 l	4			
2720	H154	0001 - 9999 (41692 - 99999)	18.5 l	4	Smooth/padfoot	4 l	1
3011	H133	0204 - 9999 (37953 - 99999)	10 l	2	Smooth/padfoot	3.2 l	1
3205	H158	0001 - 0077 (44915 - 60379)	12.5 l	3	Smooth/padfoot	6.4 l	2
		0078 - 9999	10 l	2			
	H188	0001 - 9999	10 l	2	Smooth/padfoot	7.5 l	2
3307	H159	0001 - 0347 (44041 - 61030)	12.5 l	3	Smooth/padfoot	12 l	3
		0348 - 9999	10 l	2			
	H189	0001 - 9999	10 l	2	Smooth/padfoot	12 l	3
3410 - 3411	H169	0001 - 9999 (61361 - 99999)	9.5 l	2	Smooth/padfoot	5.1 l	2
	H179	0001 - 0877	11.5 l	3	Smooth/padfoot	5.1 l	2
		0878 - 9999			Smooth/padfoot	3.8 l	1
	H206	0001 - 9999	9.5 l	2	Smooth/padfoot	5.1 l	2
H269	0001 - 9999	9.5 l	2	Smooth/padfoot	5.1 l	2	

Due to possible technical changes, please always compare with the information in the instruction manual.

Machine type	Model	Series range NEW (old)	Gear Oil 85W-90 Container size 5 l Part No. 2065030		Hydraulic Oil Container size 20 l Part No. 2065028	
			Filling capacity	Quantity	Filling capacity	Quantity
2220	H132	<b>0002 - 9999</b> (41693 - 99999)	6 l	2	62 l	4
2320	H155	<b>0357 - 9999</b> (41718 - 99999)	10 l	2	70 l	4
2420	H141	<b>0288 - 1062</b> (37813 - 41611)	17 l	4	56 l	3
		<b>1063 - 9999</b> (41888 - 99999)	17 l	4	56 l	3
2520	H142	<b>0064 - 0130</b> (37803 - 40515)	20 l	4	67 l	4
		<b>0131 - 9999</b> (40931 - 99999)	21 l	5		
2620	H144	<b>0015 - 0057</b> (37810 - 40514)	20 l	4	67 l	4
		<b>0058 - 9999</b> (40721 - 9999)	21 l	5		
2720	H154	<b>0001 - 9999</b> (41692 - 99999)	21 l	5	67 l	4
3011	H133	<b>0204 - 9999</b> (37953 - 99999)	10 l	2	52 l	3
3205	H158	<b>0001 - 0077</b> (44915 - 60379)	9 l	2	32 l	2
		<b>0078 - 9999</b>				
	H188	<b>0001 - 9999</b>	9 l	2	32 l	2
3307	H159	<b>0001 - 0347</b> (44041 - 61030)	9 l	2	32 l	2
		<b>0348 - 9999</b>				
	H189	<b>0001 - 9999</b>	9 l	2	32 l	2
3410 - 3411	H169	<b>0001 - 9999</b> (61361 - 99999)	14 l	3	50 l	3
	H179	<b>0001 - 0877</b>	14 l	3	50 l	3
		<b>0878 - 9999</b>				
	H206, H269	<b>0001 - 9999</b>	14 l	3	50 l	3

Due to possible technical changes, please always compare with the information in the instruction manual.

# LUBRICANT REQUIREMENTS WHEN USING ORIGINAL WIRTGEN GROUP LUBRICANT CONTAINERS

Machine type	Model	Series range NEW (old)	Engine Oil 15W-40 Container size 5 l Part No. 2065020		Special Gear Oil Container size 5 l Part No. 1238051			
			Filling capacity	Quantity	Drum type	Filling capacity	Quantity/ Drum	
3412 - 3414	H160	<b>0002 - 0457</b> (43589 - 50176)	12.5 l	3	Smooth/padfoot	5.8 l	2	
		<b>0458 - 9999</b> (50289 - 99999)	9.5 l	2	Smooth/padfoot Vibration/oscillation	5.8 l 3.5 l	2 1	
	H180	<b>0001 - 0991</b>	11.5 l	3	Smooth/padfoot Vibration/oscillation	5.8 l 3.5 l	2 1	
		<b>0992 - 9999</b>	11.5 l	3	Smooth/padfoot	3.8 l	1	
					Smooth/padfoot – HT Vibration/oscillation	5.8 l 3.5 l	2 1	
	H214	<b>0001 - 9999</b>	9.5 l	2	Smooth/padfoot Vibration/oscillation	3.2 l 1.5 l	1 1	
	3516	H161	<b>0001 - 0296</b> (43553 - 50683)	25.5 l	6	Smooth/padfoot	5.8 l	2
			<b>0297 - 9999</b> (50764 - 99999)	15.5 l	4			
H176		<b>0001 - 9999</b>	15.5 l	4	Smooth/padfoot	5.8 l	2	
H215		<b>0001 - 9999</b>	15.5 l	4	Smooth/padfoot	3.2 l	2	
3518 - 3520	H161	<b>0001 - 0296</b> (43553 - 50683)	25.5 l	6	Smooth/padfoot	8 l	2	
		<b>0297 - 9999</b> (50764 - 99999)	15.5 l	4				
	H176	<b>0001 - 9999</b>	15.5 l	4	Smooth/padfoot	7.6 l	2	
	H215	<b>0001 - 9999</b>	15.5 l	4	Smooth/padfoot	3.6 l	1	
3625	H162	<b>0001 - 9999</b>	18.5 l	4	Smooth	7.6 l	2	
	H177	<b>0001 - 9999</b>	15.5 l	4	Smooth	7.6 l	2	
4011	H134	<b>0271 - 9999</b> (37973 - 99999)	14 l	3	Smooth/padfoot	3.2 l	1	
DV 3	H120	<b>1210 - 9999</b> (42376 - 99999)	5.5 l	2	Vibration			
DV 6.4	H143	<b>0002 - 9999</b> (37647 - 99999)	10.5 l	3	Vibration			
DV 6.4 PVC	H150	<b>0001 - 9999</b> (40398 - 43441)	10.5 l	3	Vibration			
DV 6 Super	H156	<b>0001 - 9999</b> (43442 - 99999)	10.5 l	3	Vibration			
DV 8.4	H138	<b>0292 - 9999</b> (37863 - 99999)	10 l	2	Vibration	2.2 l	1	
DV 8.4 PVC	H151	<b>0001 - 9999</b> (40401 - 99999)	10.5 l	3	Vibration	2.2 l	1	
					Oscillation			
DV 8 Super	H157	<b>0001 - 9999</b> (43483 - 99999)	10.5 l	3	Vibration	2.2 l	1	
					Oscillation			

Due to possible technical changes, please always compare with the information in the instruction manual.

Machine type	Model	Series range NEW (old)	Gear Oil 85W-90 Container size 5 l Part No. 2065030		Hydraulic Oil Container size 20 l Part No. 2065028	
			Filling capacity	Quantity	Filling capacity	Quantity
3412 - 3414	H160	<b>0002 - 0457</b> (43589 - 50176)	14 l	3	50 l	3
		<b>0458 - 9999</b> (50289 - 99999)	14 l	3	50 l	3
	H180	<b>0001 - 0991</b>	14 l	3	50 l	3
		<b>0991 - 9999</b>	14 l	3	50 l	3
	H214	<b>0001 - 9999</b>	14 l	3	50 l	3
3516	H161	<b>0001 - 0296</b> (43553 - 50683)	14 l	3	50 l	3
		<b>0297 - 9999</b> (50764 - 99999)				
	H176, H215	<b>0001 - 9999</b>	14 l	3	50 l	3
3518 - 3520	H161	<b>0001 - 0296</b> (43553 - 50683)	14 l	3	50 l	3
		<b>0297 - 9999</b> (50764 - 99999)				
	H176, H215	<b>0001 - 9999</b>	14 l	3	50 l	3
3625	H162, H177	<b>0001 - 9999</b>	14 l	3	50 l	3
4011	H134	<b>0271 - 9999</b> (37973 - 99999)	17 l	4	62 l	4
DV 3	H120	<b>1210 - 9999</b> (42376 - 99999)			60 l	3
DV 6.4	H143	<b>0002 - 9999</b> (37647 - 99999)	1 l	1	60 l	3
DV 6.4 PVC	H150	<b>0001 - 9999</b> (40398 - 43441)	1 l	1	60 l	3
DV 6 Super	H156	<b>0001 - 9999</b> (43442 - 99999)	1 l	1	60 l	3
DV 8.4	H138	<b>0292 - 9999</b> (37863 - 99999)			66 l	4
DV 8.4 PVC	H151	<b>0001 - 9999</b> (40401 - 99999)			65 l	4
DV 8 Super	H157	<b>0001 - 9999</b> (43483 - 99999)			65 l	4

Due to possible technical changes, please always compare with the information in the instruction manual.

# LUBRICANT REQUIREMENTS WHEN USING ORIGINAL WIRTGEN GROUP LUBRICANT CONTAINERS

Machine type	Model	Series range NEW (old)	Engine Oil 15W-40 Container size 5 l Part No. 2065020		Special Gear Oil Container size 5 l Part No. 1238051		
			Filling capacity	Quantity	Drum type	Filling capacity	Quantity/ Drum
DV 40	H164	0001 - 9999	5 l	1	Vibration		
DV 70	H165	0001 - 9999	9.5 l	2	Vibration/oscillation		
	H191	0001 - 9999	11.5 l	3	Vibration/oscillation		
DV 90	H166	0001 - 9999	9.5 l	2	Vibration/oscillation		
	H192	0001 - 9999	11.5 l	3	Vibration/oscillation		
GRW 10 - 18 (Cummins)	H114	0693 - 0992 (37492 - 41877)	9 l	2	Tyres		
GRW 10 - 18 (BF4M1013E)	H114	0993 - 1708 (42394 - 50542)	12.5 l	3	Tyres		
GRW 10 - 18 (BF4M2012C)	H114	1709 - 9999 (50669 - 99999)	9.5 l	2	Tyres		
	H178	0001 - 9999	9.5 l	2	Tyres		
GRW 10 - 24 (TCD 2012)	H190	0001 - 9999	11.5 l	3	Tyres		
GRW 280	H195, H229	0001 - 9999	11.5 l	3	Tyres		
HD 8 VV, HD 10C VV	H170	0001 - 9999	4 l	1	Vibration		
	H199	0001 - 9999	5 l	1	Vibration		
HD 10/12	H171	0001 - 9999	5 l	1	Vibration		
	H200	0001 - 9999	7 l	2	Vibration		
HD 10 - 13	H139	0001 - 3611 (35845 - 61646)	6.5 l	2	HD 10	1.7 l*	1
					HD 12	2 l*	1
		3612 - 9999	6 l	2	HD 13	2.2 l*	1
HD 13/14	H172	0001 - 9999	5 l	1	Vibration		
	H201	0001 - 9999	9.5 l	2	Vibration		
HD 14 TT	H196	0001 - 9999	5 l	1	Tyres		
	H208	0001 - 9999	9.5 l	2	Tyres		
HD 70 - 75	H152	0001 - 9999 (41527 - 99999)	10 l	2	HD 70 Vibration, undivided	9.5 l	2
					HD 75 Vibration, undivided	11 l	3
	H173	0001 - 9999	10 l	2	HD 70 Vibration, undivided	7 l	2
					HD 75 Vibration, undivided	9 l	2
	H187	0001 - 9999	10 l	2	HD 70 Vibration, undivided	7 l	2
					HD 75 Vibration, undivided	9 l	2
HD 85 - 100 (F4L 912)	H122	0083 - 9999 (32959 - 99999)	10 l	2	Vibration	10 l	2
HD 85 - 100 (BF4L 913)	H122	0083 - 9999 (32959 - 99999)	12 l	3	Vibration	10 l	2

\* Lifetime filling

Due to possible technical changes, please always compare with the information in the instruction manual.



Machine type	Model	Series range NEW (old)	Gear Oil 85W-90 Container size 5 l Part No. 2065030		Hydraulic Oil Container size 20 l Part No. 2065028	
			Filling capacity	Quantity	Filling capacity	Quantity
DV 40	H164	0001 - 9999			30 l	2
DV 70	H165, H191	0001 - 9999			45 l	3
DV 90	H166, H192	0001 - 9999			45 l	3
GRW 10 - 18 (Cummins)	H114	0693 - 0992 (37492 - 41877)	11.5 l	3	33.7 l	2
GRW 10 - 18 (BF4M1013E)	H114	0993 - 1708 (42394 - 50542)	11.5 l	3	33.7 l	2
GRW 10 - 18 (BF4M2012C)	H114	1709 - 9999 (50669 - 99999)	11.5 l	3	33.7 l	2
	H178	0001 - 9999				
GRW 10 - 24 (TCD 2012)	H190	0001 - 9999	11.5 l	3	32.7 l	2
GRW 280	H195, H229, H212	0001 - 9999			80 l	4
H 11ix - H 13ix	H210	0001 - 9999	16.8 l With wheel gears	4	64 l	4
H 11i - H 16i	H211	0001 - 9999	16.8 l With wheel gears	4	85 l	5
			17.7 l Without wheel gears	4		
H 18i - H 25i	H202	0001 - 9999	17.5 l	4	85 l	5
HD 8 VV, HD 10C VV	H170, H199	0001 - 9999			26 l	2
HD 10/12	H171	0001 - 9999			28 l	2
	H200	0001 - 9999			26 l	2
HD 13/14	H172	0001 - 9999			55 l	3
	H201	0001 - 9999			33 l	2
HD 10 - 13	H139	0001 - 3611 (35845 - 61646)			35 l	2
		3612 - 9999				
HD 70 - 75	H152	0001 - 9999 (41527 - 99999)			50 l	3
	H173	0001 - 9999			45 l	3
	H187	0001 - 9999			45 l	3
HD+ 70i - 80i	H186	0001 - 9999			40 l	2
HD 85 - 100 (F4L 912)	H122	0083 - 9999 (32959 - 99999)			70 l	4
HD 85 - 100 (BF4L 913)	H122	0083 - 9999 (32959 - 99999)			70 l	4

Due to possible technical changes, please always compare with the information in the instruction manual.

# LUBRICANT REQUIREMENTS WHEN USING ORIGINAL WIRTGEN GROUP LUBRICANT CONTAINERS

Machine type	Model	Series range NEW (old)	Engine Oil 15W-40 Container size 5 l Part No. 2065020		Special Gear Oil Container size 5 l Part No. 1238051		
			Filling capacity	Quantity	Drum type	Filling capacity	Quantity/ Drum
HD 90 - 110	H153	0001 - 0924 (40961 - 50612)	12.5 l	3	HD 90 divided	2.4 l	1
		0925 - 9999 (60175 - 99999)	9.5 l	2	HD 90/110 Vibration, undivided	11 l	3
					HD 90 divided	2.4 l	1
	H174	0001 - 9999	9.5 l	2	HD 90/110 Vibration, undivided	11 l	3
					HD 90 divided	2.8 l	1
	H181	0001 - 9999	11.5 l	3	HD 90/110 Vibration, undivided	9 l	2
HD+ 90 - 110	H185	0001 - 9999	11.5 l	3	HD 90 divided	2.8 l	1
HD 120 - 130	H163	0001 - 0924 (40961 - 50612)	12.5 l	3	HD 90/110 Vibration, undivided	9 l	2
		0184 - 9999 (60185 - 99999)	9.5 l	2	HD 120/130 Vibration	13 l	3
	H175	0001 - 9999	9.5 l	2	HD 120/130 Vibration	3.2 l	1
	H182	0001 - 9999	11.5 l	3	HD 120/130 Vibration		
	H275	0001 - 9999	9.5 l	2	HD 120/130 Vibration		
HD 120 - 140	H184	0001 - 0053	11.5 l	3	HD 120 Vibration	4.5 l	1
					HD 140 Vibration	5.5 l	2
		0054 - 9999	11.5 l	3	HD 120 Vibration	21 l	5
					HD 140 Vibration	26 l	6
HD 150 TT	H168	0001 - 0014 (49181 - 60170)	12.5 l	3	Tyres		
		0015 - 9999 (60171 - 99999)	9.5 l	2	Tyres		
	H183	0001 - 9999	9.5 l	2	Tyres		
	H193	0001 - 9999	11.5 l	3	Tyres		
HW 90	H123	0522 - 0862 (37702 - 61367)	10.5 l	3	Static		
		0862 - 9999	10 l	2	Static		

Machine type	Model	Series range	Engine Oil 10W-30 Container size 5 l Part No. 2210320		Special Gear Oil Container size 5 l Part No. 1238051		
			Filling capacity	Quantity	Drum type	Filling capacity	Quantity/ Drum
GRW 280i	H212	0001 - 9999	11.5 l	3	Tyres		
H 11i	H211	0001 - 9999	11.5 l	3	Smooth/padfoot	3.2 l	1
H 13i	H211	0001 - 9999	11.5 l	3	Smooth/padfoot	3.2 l	1
					VIO	1.5 l	1
H 11ix - H 13ix	H210	0001 - 9999	9.0 l	2	Smooth/padfoot	3.2 l	1
H 16i	H211	0001 - 9999	11.5 l	3	Smooth/padfoot	3.6 l	1
H 18i - H 25i	H202	0001 - 9999	16.0 l	4	Smooth/padfoot	3.6 l	1
HD 70i - 80i	H186	0001 - 9999	7.5 l	2	HD 70i Vibration, undivided	5.4 l	2
					HD 80i Vibration, undivided	7.0 l	2
HD+ 90i - 110i	H209	0001 - 9999	9.0 l	2	HD 90/110 Vibration, undivided	13 l	3
HD+ 120i - 140i	H207	0001 - 9999	11.5 l	3	HD 120 Vibration	21 l	5
					HD 140 Vibration	26 l	6









Due to possible technical changes, please always compare with the information in the instruction manual.

Machine type	Model	Series range NEW (old)	Gear Oil 85W-90 Container size 5 l Part No. 2065030		Hydraulic Oil Container size 20 l Part No. 2065028	
			Filling capacity	Quantity	Filling capacity	Quantity
HD 90 - 110	H153	0001 - 0924 (40961 - 50612)			70 l	4
		0925 - 9999 (60175 - 99999)				
	H174	0001 - 9999			55 l	3
	H181	0001 - 9999			55 l	3
HD+ 90 - 110	H185	0001 - 9999			40 l	2
HD+ 90i - 110i	H209	0001 - 9999			40 l	2
HD 120 - 130	H163	0001 - 0924 (40961 - 50612)			70 l	4
		0184 - 9999 (60185 - 99999)				
	H175	0001 - 9999			55 l	3
	H182	0001 - 9999			55 l	3
	H275	0001 - 9999				
HD+ 120 - 140	H184	0001 - 9999			40 l	2
HD+ 120i - 140i	H207	0001 - 9999			50 l	3
HD 14 TT	H196	0001 - 9999			55 l	3
	H208	0001 - 9999			33 l	2
HD 150 TT	H168	0001 - 0014 (49181 - 60170)			55 l	3
		0015 - 9999 (60171 - 99999)				
	H183, H193	0001 - 9999			55 l	3
HW 90	H123	0522 - 9999	5.6 l	2	60 l	3







Due to possible technical changes, please always compare with the information in the instruction manual.

# KLEEMANN GMBH CRUSHING AND SCREENING SYSTEMS FOR NATURAL STONE AND RECYCLING



	<b>Kleemann GmbH</b>	<b>364</b>
	<b>Core competence crushing technology</b>	<b>366</b>
	<b>Blow bars</b>	<b>370</b>
	<b>Abrasion lining</b>	<b>376</b>
	Service packages for impact plates, wear plates for crusher housings	376
	Rubber curtain elements and chains for the crusher inlet	378
	Impact bars	380
	Cheek plates	382
	<b>Crusher tool carriers</b>	<b>384</b>
	Rotors	384
	<b>Crusher tools</b>	<b>386</b>
	Crusher jaws	386
	Crushing tool for cone crusher	390
	Wear components for cone crusher	392
	Impact toggles in monoblock design	394
	Bearing blocks	396
	<b>Power belts</b>	<b>398</b>
	<b>Conveyors</b>	<b>400</b>
	Conveyor belts	400
	<b>Scraper strips</b>	<b>404</b>



	<b>Crawler unit parts</b>	406
	<b>Screens</b>	410
	Slotted screens	410
	Perforated plates	412
	Wire mesh	415
	Wire mesh for prescreening and postscreening units	416
	<b>Water system</b>	430
	Water spraying	430
	<b>Electrical accessories</b>	432
	Emergency Kits	432
	<b>Filters</b>	434
	Filter elements and service packages for filter elements	434
	Service packages for filter elements for hydraulic systems	435
	Filter elements for hydraulic systems	436
	Service packages for filter elements engine according to exhaust gas standards	438
	Filter elements for engine	441
	<b>Lubricants</b>	446
	Lubricants	446
	Accessories for filling and lubrication	447
	Lubricants in detail	448
	Lubricant requirements	452





# ORIGINAL KLEEMANN CORE COMPETENCE CRUSHING TECHNOLOGY

## The crushers can be classified into two main groups:

- All Kleemann jaw and cone crushers operate according to the pressure crushing principle. This means that the material is subjected to high pressure until it breaks.
- Impact crushing is the principle of impact crushers. Here, the material is crushed through quick impacts.

## Pressure crushing Jaw crushers

The Kleemann jaw crushers are used for crushing virtually any natural stone and for recycling construction waste. The material is crushed in the wedge-shaped duct between the fixed crusher jaw and the crusher jaw that is moved by an eccentric shaft.

The feed material is crushed by the elliptical movement and transported downwards. This action continues until the material is smaller than the crusher gap set.

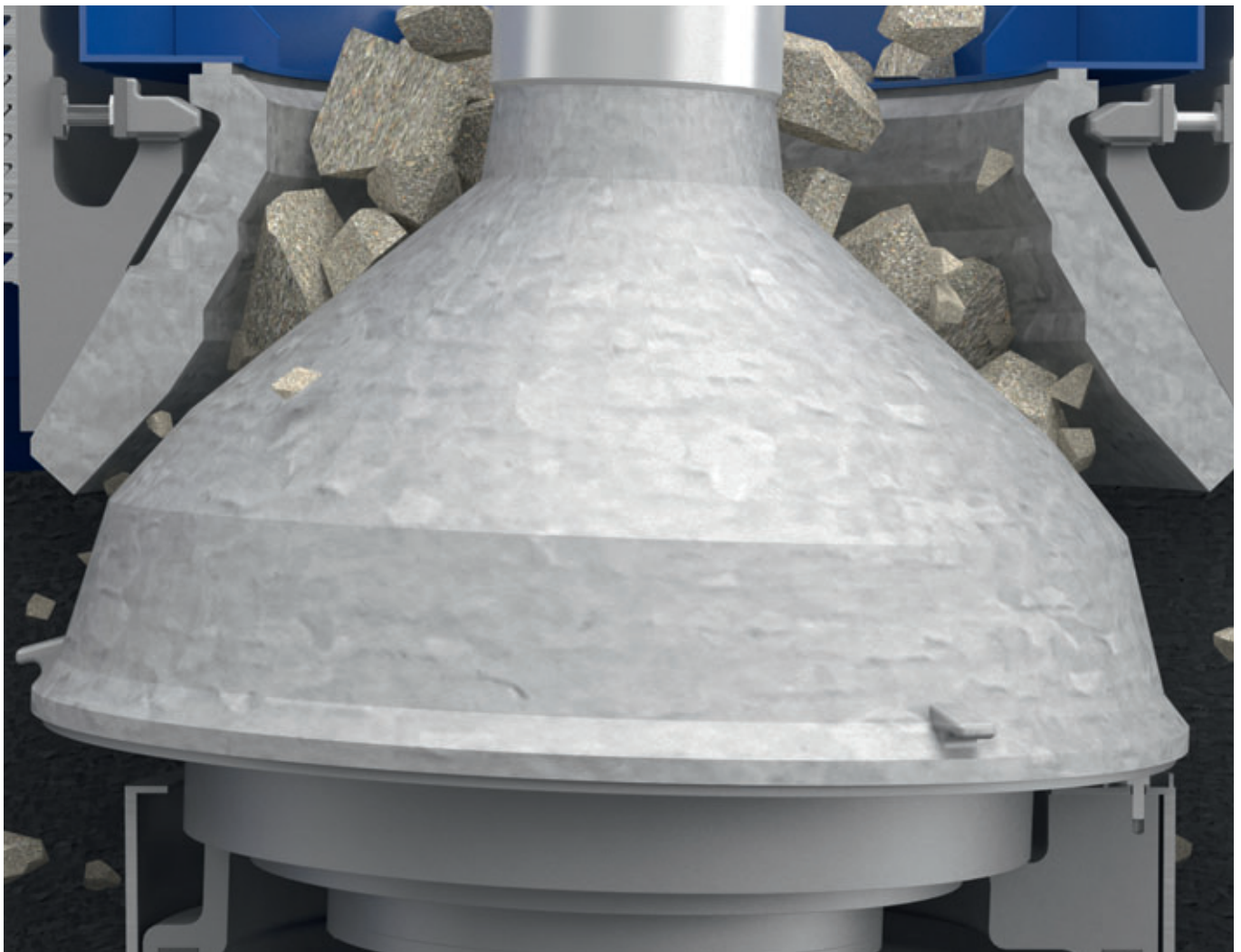


**Pressure crushing  
Cone crushers**

Cone crushers are mostly used as secondary crushers. The feed material is produced through an upstream crushing stage, e.g. a jaw crusher.

Crushing takes place between the rigid crushing shell and the moving crushing cone. A gear-driven eccentric bushing creates a circular oscillation, which results in periodically varying distances of the crushing cone to the shell.

The gap width (o.s.s. = open gap width, c.s.s. = closed gap width) and thereby the grain size of the crusher product can be varied by raising and lowering the crushing shell.



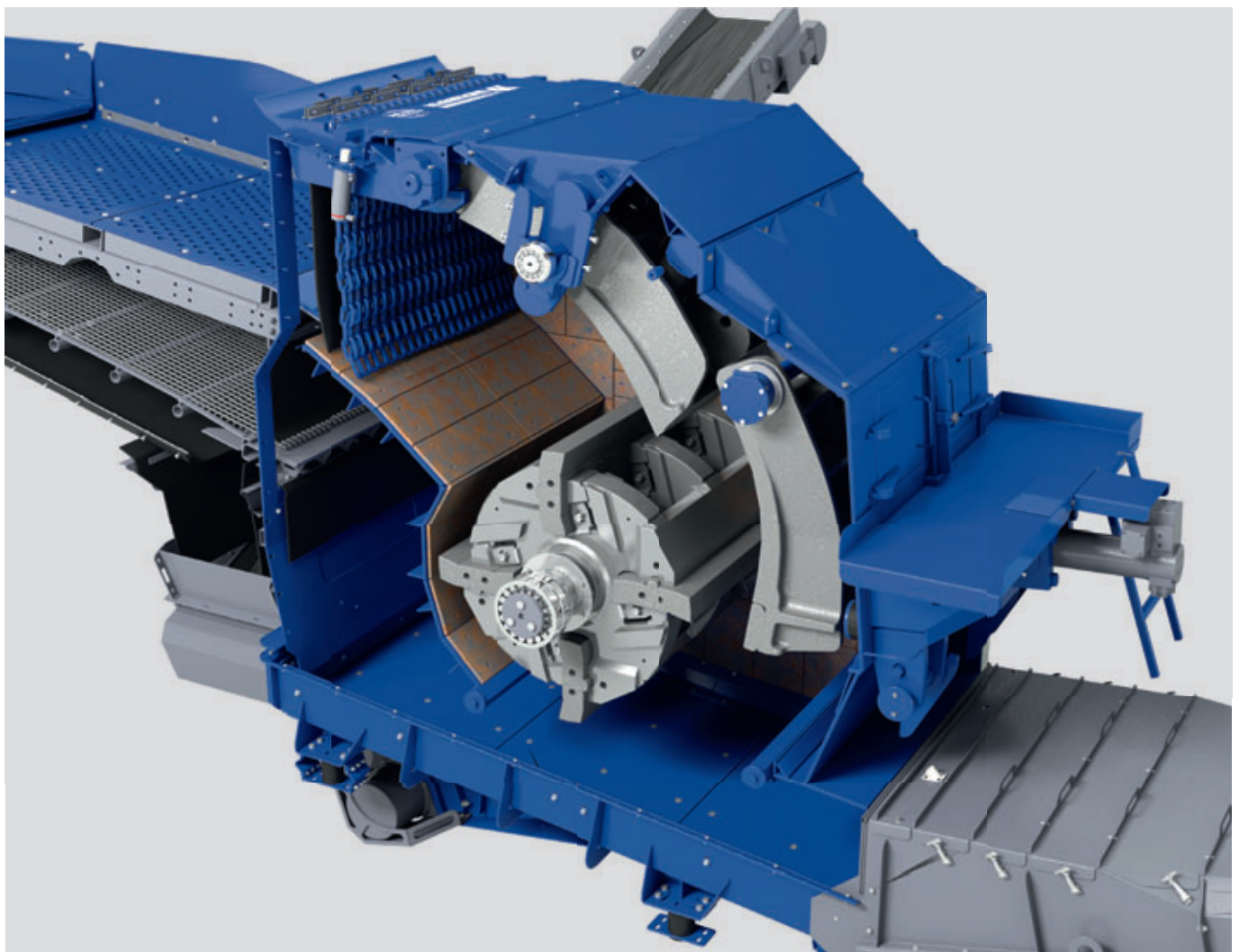
# ORIGINAL KLEEMANN CORE COMPETENCE CRUSHING TECHNOLOGY

## Impact crushing Impact crushers

Upon impact of the feed material with the blow bars, the material is accelerated and thrown onto the impact toggle or abrasion lining of the impact area. During this process the material is primarily crushed by the impact of the blow bars.

Impact crushers allow for a higher crushing ratio and produce a cubic final product. In certain cases on wear-resistant material the whole process can thus be performed with a crusher, for which usually several crushing stages are required.

To obtain a better crushing effect, the impact edge is chamfered. It is important that the impact edge remains “sharp” even with advancing wear (like on the C-shape blow bars) to ensure the best possible crushing result.







The mobile system is only as good as the sum of its individual parts. The deciding factor however is that the individual parts are adjusted to each other. And whoever can do this correctly, can positively influence the total performance of the system through targeted innovation at the right location.

Through decades of experiences, in both the stationary and mobile plant engineering, Kleemann continues to constantly produce ground breaking innovations. For example, drive concepts perfectly aligned to the respective application.

The crusher is a component in the complete process. To take full advantage of the crusher performance and to keep wear to a minimum, the optimum interaction of all components with conveyors, screens, chute, drive is required.



The table shows some key criteria through which the corresponding crusher can be selected. The here mentioned selection is a recommendation due to the long-term use on sites. It thus represents a guideline only, but offers no fixed rule.

Feature	Impact crushers	Jaw crushers	Cone crushers
Common crushing level	Primary/secondary	Primary	Secondary/tertiary
Abrasiveness of the feed material	Low	High	High
Influence on grain size	Yes	No	Yes
Fines in the crushed material	Medium / high	Low	Low
Feed size up to (mm)	1500	1300	300
Crushing ratio	15:1 in the pre-crushing area 20:1 in the secondary crushing area	5:1	5:1

# ORIGINAL KLEEMANN BLOW BARS

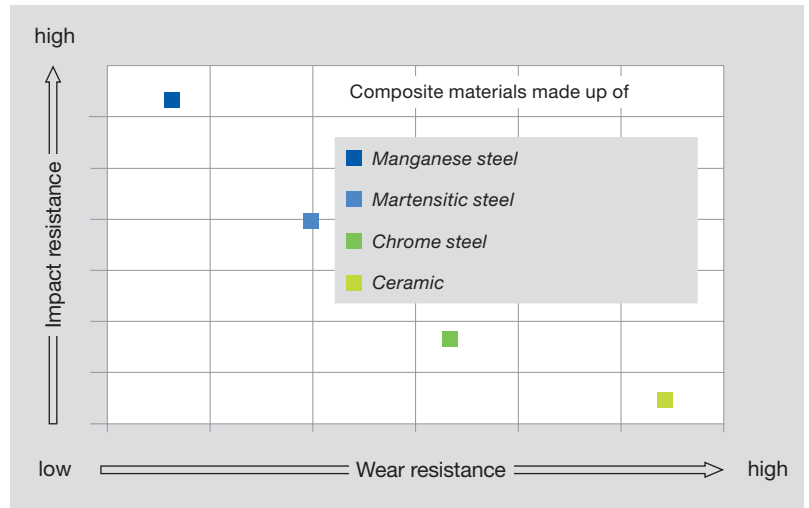


Close to  
our customers

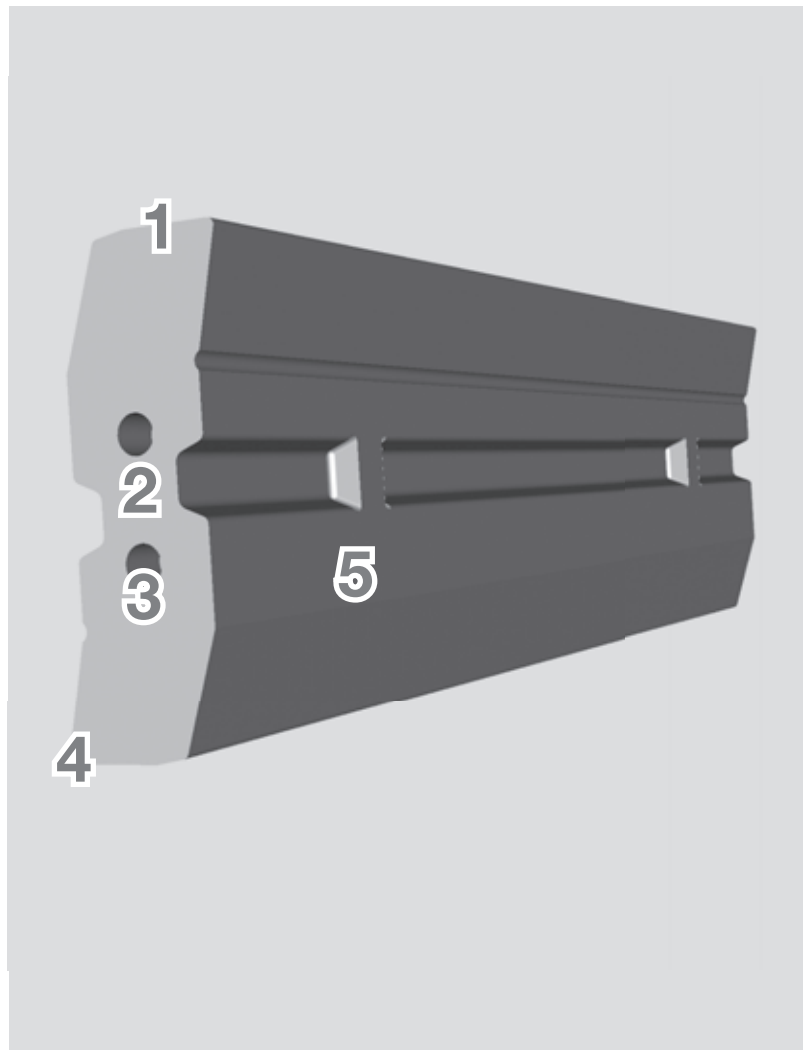
## Blow bars – the perfect crushing outcome

Original Kleemann blow bars offer more than just the correct dimensions. The materials used, alloying elements and the entire casting process are important foundations for a reliable crushing tool.

A Kleemann impact crusher has many different areas of use. From conventional natural stone processing to construction waste recycling and mining applications, the main focus is on two tasks: increasing the blow bar service life and reducing the operating costs.

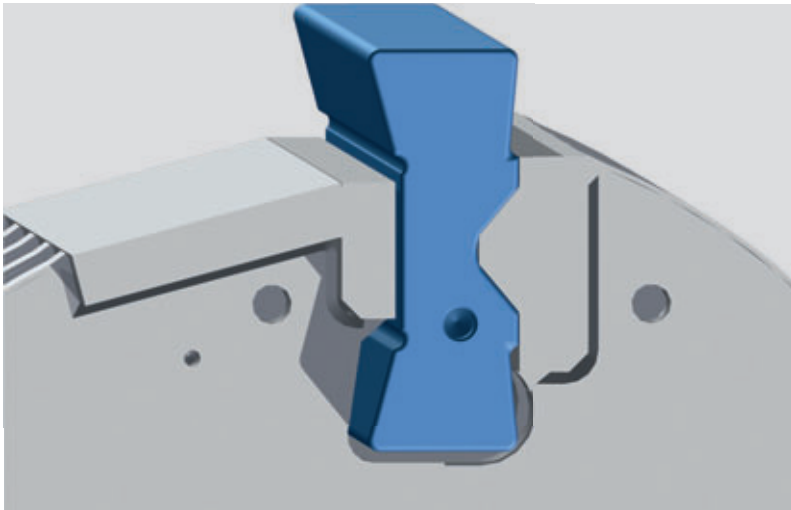


- 1** The high utilisation rate represents long life.
- 2** The unique rotation ensures high availability.
- 3** Holes ensure easy and quick handling.
- 4** The impact edge is chamfered to maintain the impact edge longer, and thus for better crushing over a long period.
- 5** The modified clamping surface along the entire length provides exact fit with a reduced danger of breakage.



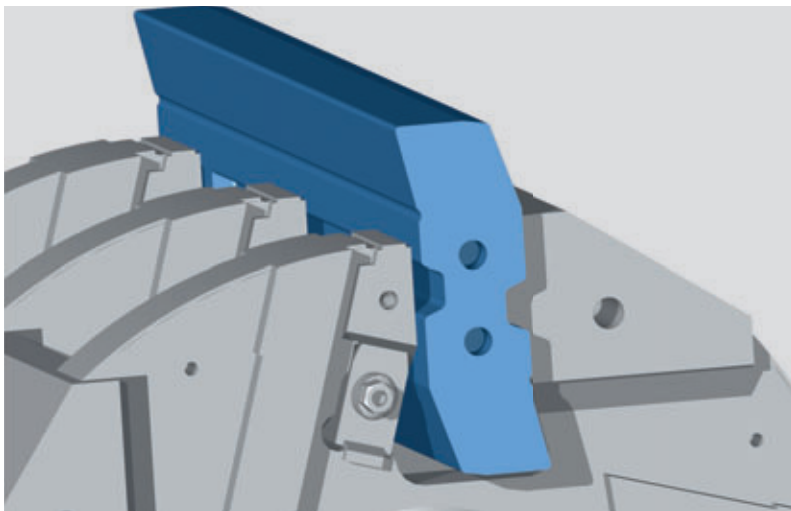


# ORIGINAL KLEEMANN X-SHAPE BLOW BARS

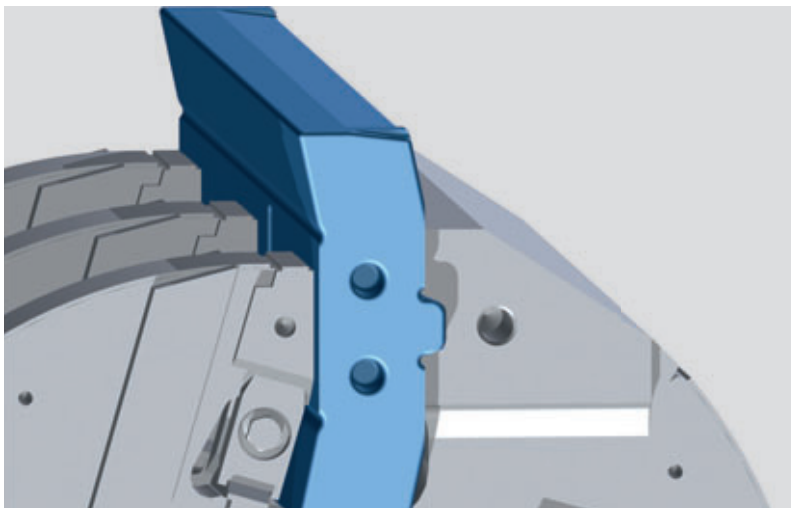


Depending on the model series of the machines, different blow bar shapes are used. Kleemann offers three different shapes: X-Shape, S-Shape and C-Shape.

The X-Shape blow bars are fitted to the MR 100, MR 122 and MR 150. These are pushed into the rotor from the side and affixed. In contrast to the other systems, the blow bars rest loosely in the rotor. The use of highly wear-resistant blow bars, such as those made of chrome or chrome with ceramic, is not recommended for these mounting variants because of the increased risk of breakage.



A newly developed clamping system is now used with the S-Shape blow bars installed in the MR 130 V3. The blow bars are fastened to the rotor without any play using clamping wedges. This reduces the risk of breakage for wear-resistant blow bars, such as those made of chrome or chrome with ceramic. In contrast to the X-shaped blow bars, the blow bars can be mounted and dismantled from above.



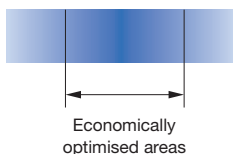
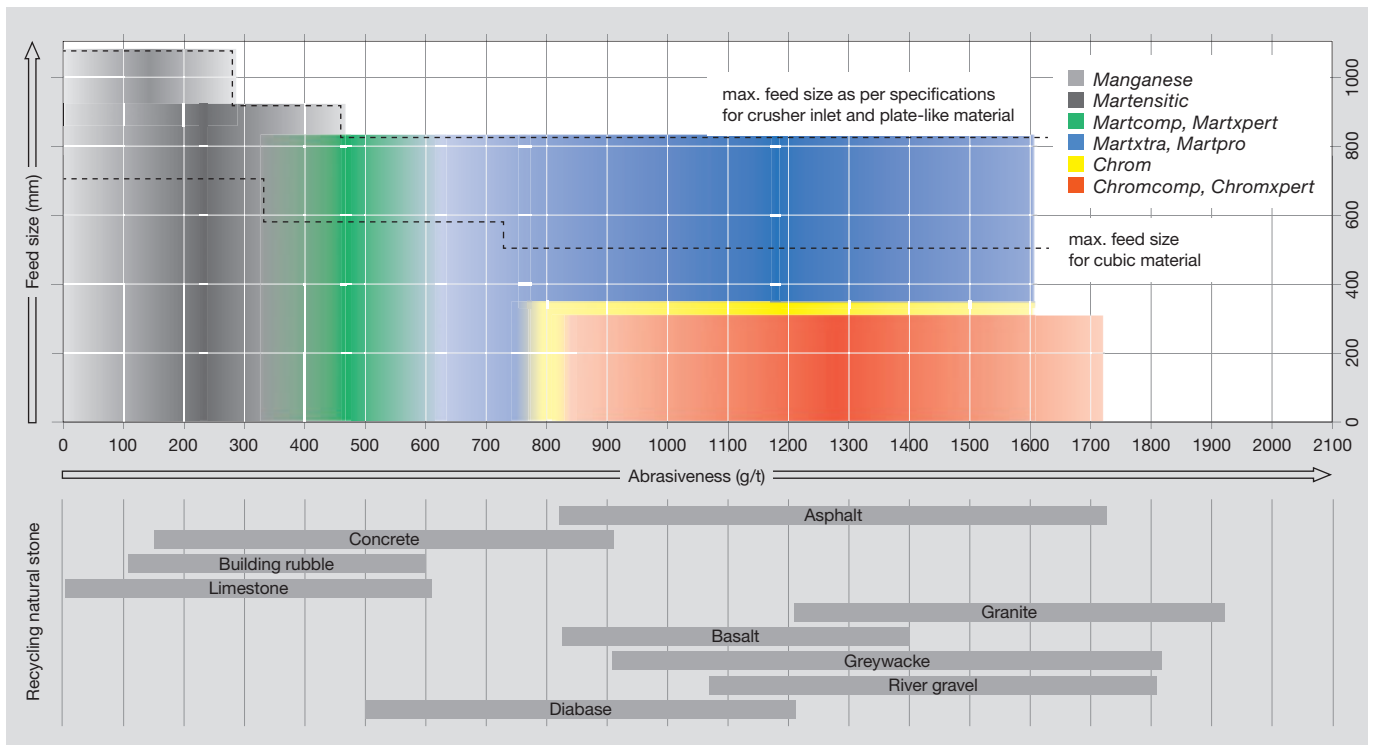
Further developed for the EVO generation, the design is known as the C-Shape. The blow bar affixing to the rotor is handled here by means of the lug of the blow bar. These are made thicker at this place, so that the clamp cross-section is strengthened in the highly-stressed area. The rigid mounting also ensures that impact energy is optimally transferred to the rotor, which substantially further reduces the risk of breakage in highly wear-resistant chrome blow bars.

# ORIGINAL KLEEMANN RECOMMENDED USE FOR BLOW BARS



Manganese	
Recommended for	<ul style="list-style-type: none"> <li>• Mild abrasiveness, e.g. limestone</li> <li>• When there is a very high proportion of unbreakable objects in the feed material, or if other blow bars are not cost-effective (e.g. iron)</li> <li>• In case of very large feed size</li> </ul>
Not cost-effective	With abrasiveness of > 100 gr/to
Martensitic	
Recommended for	<ul style="list-style-type: none"> <li>• Building rubble and concrete</li> <li>• Blasted limestone</li> <li>• In case the impact loads are too low to harden the manganese steel</li> <li>• When good wear resistance and impact load are required</li> </ul>
Not cost-effective	In case of abrasive material
Risk of breakage	<ul style="list-style-type: none"> <li>• In case of a large proportion of unbreakable objects in the feed material</li> <li>• In case of very large feed material (depends on the geometry of the crusher inlet)</li> </ul>
Chrome	
Recommended for	<ul style="list-style-type: none"> <li>• Secondary crushing level for abrasive applications with natural stone</li> <li>• In case of smaller feed sizes, e.g. gravel</li> </ul>
Not cost-effective	In case of mildly abrasive material
Risk of breakage	<ul style="list-style-type: none"> <li>• Unbreakable objects in the crushed material</li> <li>• In case of a too large feed size</li> </ul>
Martensitic with ceramic	
Recommended for	<ul style="list-style-type: none"> <li>• Recycling of building rubble with little to medium iron content</li> <li>• Asphalt</li> <li>• Natural stone</li> </ul>
Not cost-effective	In case of a low-abrasive application
Risk of breakage	<ul style="list-style-type: none"> <li>• Large feed size</li> <li>• In case of very low abrasiveness, material fatigue can result after an overly long service life</li> </ul>
Chrome with ceramic	
Recommended for	<ul style="list-style-type: none"> <li>• Secondary crushing level with natural stone or river gravel</li> <li>• Asphalt in case of smaller feed size (milled material) and without any iron content</li> </ul>
Not cost-effective	In case of low-abrasive material
Risk of breakage	<ul style="list-style-type: none"> <li>• Large feed size (primary crusher)</li> <li>• Iron content in the crushed material (high risk of breakage)</li> </ul>

# ORIGINAL KLEEMANN SELECTION OF BLOW BARS



Many factors, such as the feed material, rotor speed, moisture content, feed size and crushing ratio, influence the cost-effective use of blow bars. The key criteria for selecting suitable blow bars are listed in the guidance table.

Go through the questions and determine the most cost-effective blow bar grade for your application based on the material conditions that you are aware of. If this leads you to choose various blow bars, start with the most cost-effective crusher tool for your application.

1) Questions on selecting blow bars appropriate to the application:

- Which material will be crushed? (Broken-up concrete, for example)
- Where can the feed size be adjusted? (E. g. Largest grain size 600 mm)
- Is the material cubic or plate-like?
- In which area is the abrasive-ness?

2) Determining the possible blow bars

3) Verification of the determined blow bar with regard to the availability of the crusher type

**Please note:**

If you are unable to determine a suitable blow bar using the selection aid, contact your sales and service company or Kleemann GmbH directly.

# ORIGINAL KLEEMANN BLOW BARS

Machine type	Model	Series range	Material Version					
			Manganese	Martensitic	Martensitic + ceramic			
			MANGANESE	MARTENSITIC	MARTCOMP	MARTPRO	MARTXPERT	MARTXTRA
MR 100 R	K012	0001 - 9999	F10039722	F10327412	F10408402		F20000018	
MR 100 Z	K013	0001 - 9999	F10039722	F10327412	F10408402		F20000018	
MR 110 R EVO	K016	0001 - 9999	F20013343	F20007840	F20011044	2305423		2366368
MR 110 Z EVO	K017	0001 - 9999	F20013343	F20007840	F20011044	2305423		2366368
MR 110 Z EVO 2	K018	0001 - 9999	F20013343	F20007840	F20011044	2305423		2366368
MR 110 Zi EVO 2	K019	0001 - 9999	F20013343	F20007840	F20011044	2305423		2366368
MR 122 Z	K062	0001 - 9999	F10038791	F10308431	F10356771		F20000019	
MR 130 R, MR 130 R EVO	K023	0001 - 0199	F10343421	F10330751	F10408421		F20001298	F20012306
		0200 - 9999	F20013344	F20010951	F20011039	2299367		2366459
MR 130 Z, MR 130 Z EVO	K024	0001 - 0299	F10343421	F10330751	F10408421			
		0300 - 9999	F20013344	F20010951	F20011039	2299367		2366459
MR 130 Z EVO 2, MR 130 Zi EVO 2	K077	0001 - 9999	F20013344	F20010951	F20011039	2299367		2366459
	K078	0001 - 9999	F20013344	F20010951	F20011039	2299367		2366459
MR 150 Z	K063	0001 - 9999	F10214341	F10364061	F10408391			

Machine type	Model	Series range	Material Version		
			Chrome	Chrome steel + ceramic	
			CHROME	CHROMCOMP	CHROMXPERT
MR 100 R	K012	0001 - 9999		F10620222	
MR 100 Z	K013	0001 - 9999		F10620222	
MR 110 R EVO	K016	0001 - 9999	2268297	2219822	2366419
MR 110 Z EVO	K017	0001 - 9999	2268297	2219822	2366419
MR 110 Z EVO 2	K018	0001 - 9999	2268297	2219822	2366419
MR 110 Zi EVO 2	K019	0001 - 9999	2268297	2219822	2366419
MR 122 Z	K062	0001 - 9999			
MR 130 R, MR 130 R EVO	K023	0001 - 0199	2191368	F10411951	F20006171
		0200 - 9999	2196048	2200201	2366511
MR 130 Z, MR 130 Z EVO	K024	0001 - 0299	2191368	F10411951	F20006171
		0300 - 9999	2196048	2200201	2366511
MR 130 Z EVO 2, MR 130 Zi EVO 2	K077	0001 - 9999	2196048	2200201	2366511
	K078	0001 - 9999	2196048	2200201	2366511
MR 150 Z	K063	0001 - 9999			







# ORIGINAL KLEEMANN SERVICE PACKAGES FOR IMPACT PLATES, WEAR PLATES FOR CRUSHER HOUSINGS

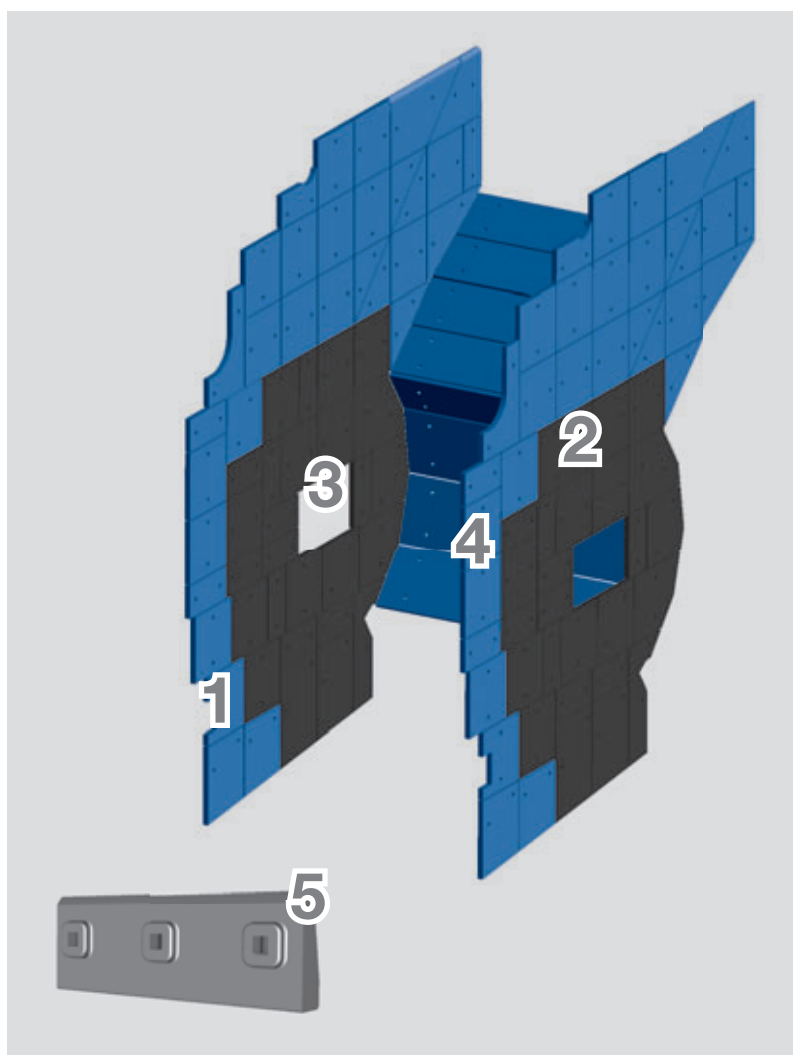
## Service packages for impact plates

To protect the bottom impact toggle against premature wear and to further increase the service life, high-strength wear plates – which can be replaced individually – are fitted in the bottom part of the impact toggle, which is highly stressable.

The service package contains both the impact plates that you need as well as all the fastening material.



- 1** All wear plates from the main wear zone with mounting hardware are included in the service package for easy exchange.
- 2** Thick-walled Hardox wear plates protect the housing.
- 3** The wear plates are for the most part interchangeable, greatly reducing the spare parts stock.
- 4** The mounting hardware includes all necessary screws for a secure fit.
- 5** Example of a manganese cast impact plate, which is individually replaceable depending on the machine and requirement.





### Service packages wear plates for crusher housings

To protect the expensive crusher housing against damage, it is completely lined with wear-resistant plates. The wear load may vary significantly within the housing. Increased wear is to be expected particularly in the zone shown in grey, in the area of direct impacts from the rotor.

With the service package you will receive all abrasion plates from the main wearing zone including all the necessary mounting material.

#### Service package wear cladding for the crusher housing

Machine type	Model	Series range	Part No.
MR 100 R	K012	0001 - 9999	F60000008
MR 100 Z	K013	0001 - 9999	F60000008
MR 110 R EVO	K016	0001 - 9999	F20012132
MR 110 Z EVO	K017	0001 - 9999	F20012132
MR 122 Z	K062	0001 - 9999	F60000009
MR 130 R, MR 130 R EVO	K023	0001 - 0199	F60000010
		0200 - 9999	F20011929
MR 130 Z, MR 130 Z EVO	K024	0001 - 0299	F60000010
		0300 - 9999	F20011929

#### Service package for impact plates

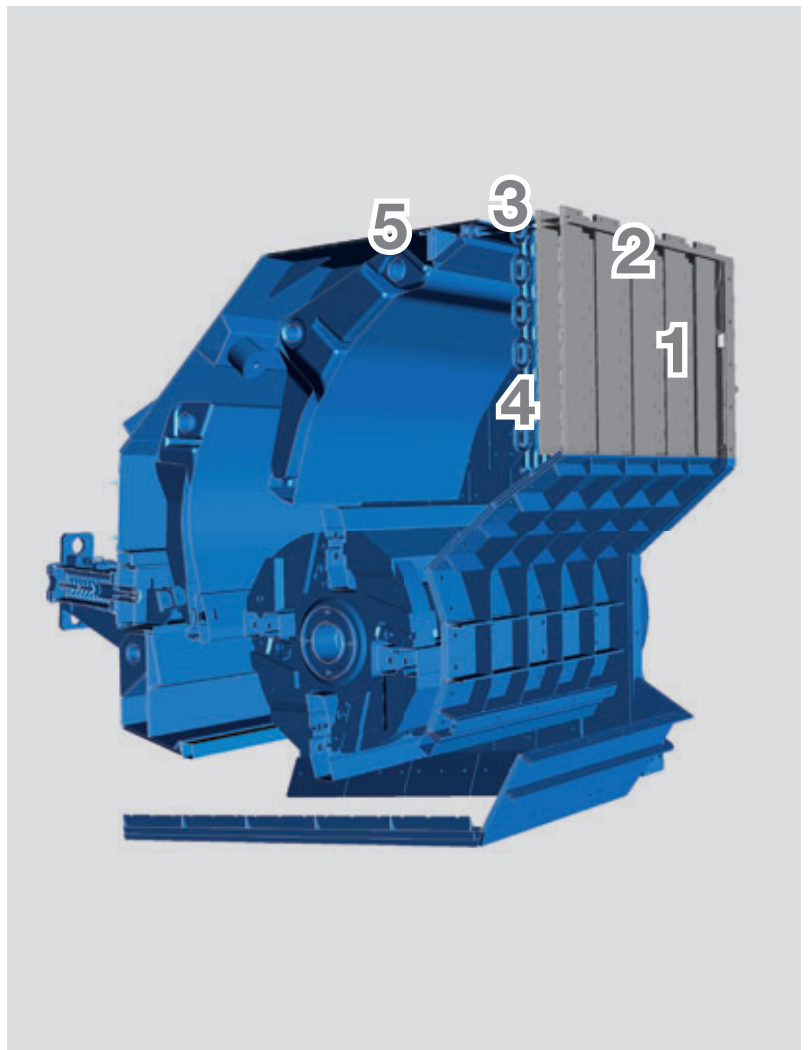
Machine type	Model	Series range	Manganese impact plate set	Martensitic impact plate set
			Part No.	Part No.
MR 110 R EVO	K016	0002 - 9999	2274596	2277483
MR 110 Z EVO	K017	0002 - 9999	2274596	2277483
MR 110 Z EVO 2	K018	0001 - 9999	2274596	2277483
MR 110 Zi EVO 2	K019	0001 - 9999	2274596	2277483
MR 122 Z	K062	0001 - 9999	2274599	
MR 130 R, MR 130 R EVO	K023	0001 - 0199	2274600	2277481
		0200 - 9999	2274601	2277486
MR 130 Z, MR 130 Z EVO	K024	0001 - 0299	2274600	2277481
		0301 - 9999	2274601	2277486
MR 130 Z EVO 2	K077	0001 - 9999	2274601	2277486
MR 130 Z EVO 2	K078	0001 - 9999	2274601	2277486

# ORIGINAL KLEEMANN RUBBER CURTAIN ELEMENTS AND CHAINS FOR THE CRUSHER INLET

On an open crusher housing, material and dust would escape. To prevent this, the crusher inlet is lined with a wear-resistant chain and a fibre-reinforced rubber curtain. They are attached to the crusher inlet cover. This front part of the crusher inlet cover is made of special cast iron to allow mobility. The parts are subject to natural wear and tear and should be regularly checked and renewed to protect against material flying out.



- 1** The labyrinth rubber curtain and the chain curtain prevent the unintentional discharge of crushed material.
- 2** The rubber elements can be individually replaced easily and quickly.
- 3** All components are bolted from the outside to avoid premature wear.
- 4** The crusher inlet angle ensures optimal material supply.
- 5** The front of the crusher inlet cover is raised hydraulically by remote control and can be replaced easily.



Machine type	Model	Series range	Rubber curtain element		Chain	
			Part No.	Quantity	Part No.	Quantity
MR 100 R	K012	0001 - 9999	F10579704	9	F10331504	18
MR 100 Z	K013	0001 - 9999	F10579704	9	F10331504	18
MR 110 R EVO	K016	0002 - 9999	F10473414	10	F10473404	18
MR 110 Z EVO	K017	0002 - 9999	F10473414	10	F10473404	18
MR 110 Z EVO 2	K018	0001 - 9999	F10473414	10	F10473404	18
MR 110 Zi EVO 2	K019	0001 - 9999	F10473414	10	F10473404	18
MR 122 Z	K062	0001 - 9999	F10503364	14	F20002132	20
					F20000489	16
MR 130 R, MR 130 R EVO	K023	0001 - 0199	F10473414	14	F10473404	21
		0200 - 9999	F20011339	13	F20002132	21
MR 130 Z, MR 130 Z EVO	K024	0001 - 0299	F10473414	14	F10473404	21
		0301 - 9999	F20011339	13	F20002132	21
MR 130 Z EVO 2	K077	0001 - 9999	F20011339	13	F20002132	21
MR 130 Zi EVO 2	K078	0001 - 9999	F20011339	13	F20002132	21
MR 150 Z	K063	0001 - 9999	F10365633	1	F10253714	24
					F10265244	20

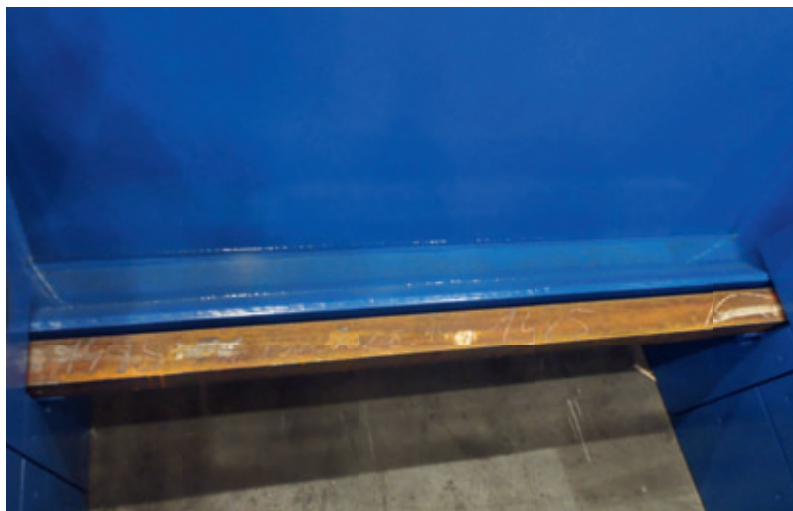


Chains and rubber  
curtain in use in  
the MR 130 R EVO  
impact crusher

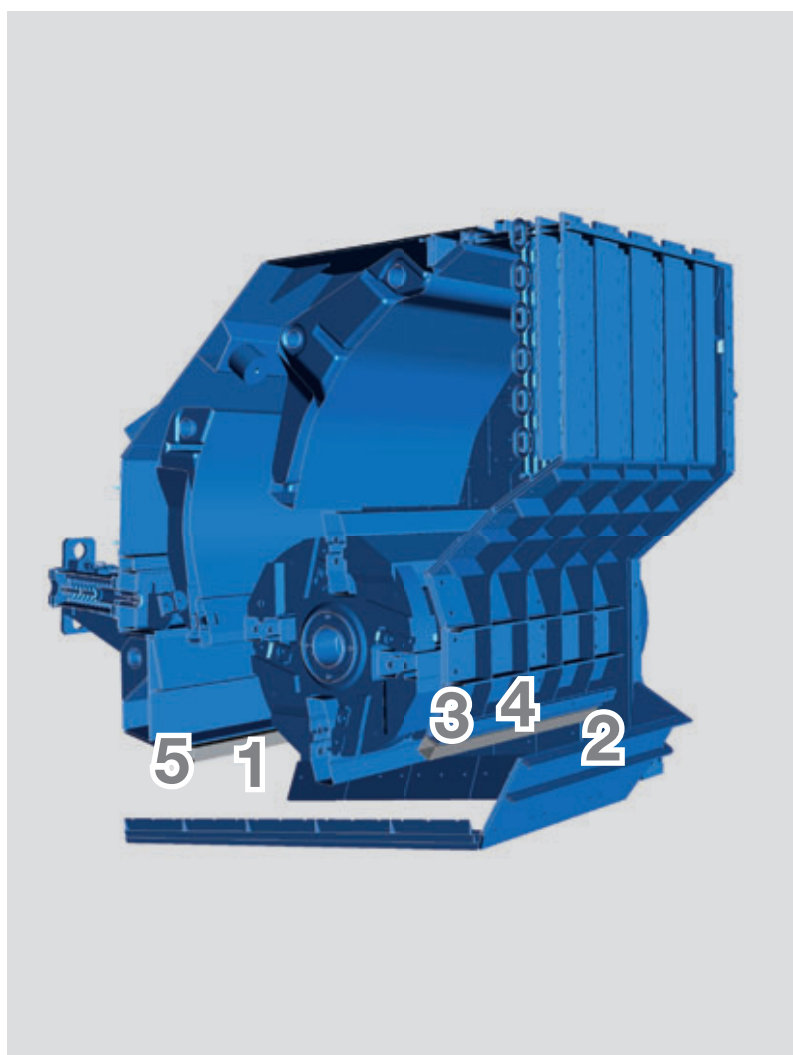


# ORIGINAL KLEEMANN IMPACT BARS

The impact bar dampens the impact of the crushed material onto the conveyor belt and the chute. It is subject to extreme stress. Kleemann therefore only uses impact bars made of extremely wear-resistant material (Hardox). The precise shape of the connection ensures a quick replacement during assembly.



- 1** Impact bars at the front catch the crushed material.
- 2** Rear impact bar dampens the impact on the conveyor belt and chute.
- 3** The precise shape of the connection provides for a quick and easy change during assembly.
- 4** The material of the impact bar is particularly wear-resistant to withstand extreme stress.
- 5** The front impact bar ensures complete protection of the crusher housing.





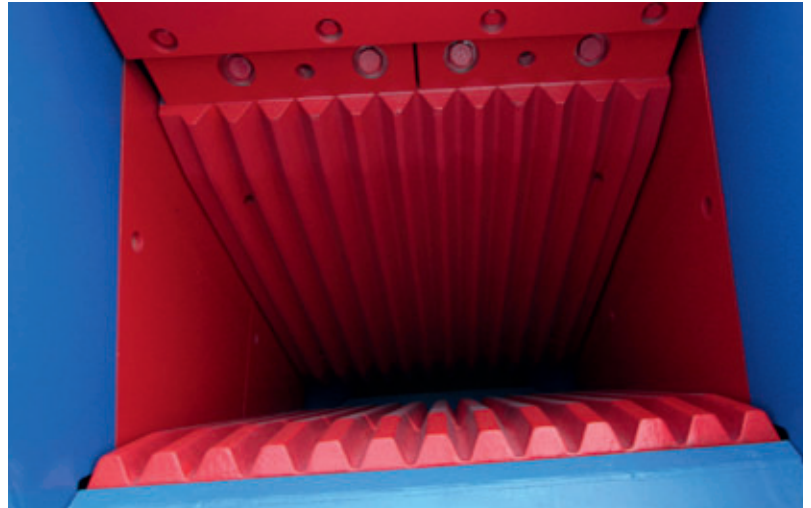
Machine type	Model	Series range	Rear impact bar	Front impact bar
MR 100 R	K012	0001 - 9999	F10293604	F10293614
MR 100 Z	K013	0001 - 9999	F10293604	F10293614
MR 110 R EVO	K016	0002 - 9999	F20010151	F20010151
MR 110 Z EVO	K017	0002 - 9999	F20010152	F20010152
MR 110 Z EVO 2	K018	0001 - 9999	F20010151	F20010151
MR 110 Zi EVO 2	K019	0001 - 9999	F20010151	F20010151
MR 122 Z	K062	0001 - 9999	F10501494	F10501494
MR 130 R, MR 130 R EVO	K023	0001 - 9999	F10534824	F10534824
MR 130 Z, MR 130 Z EVO	K024	0001 - 0299	F10534824	F10534824
		0301 - 9999		
MR 130 Z EVO 2	K077	0001 - 9999	F10534824	F10534824
MR 130 Zi EVO 2	K078	0001 - 9999	F10534825	F10534825
MR 150 Z	K063	0001 - 9999	F10365564	F10365564

# ORIGINAL KLEEMANN CHEEK PLATES

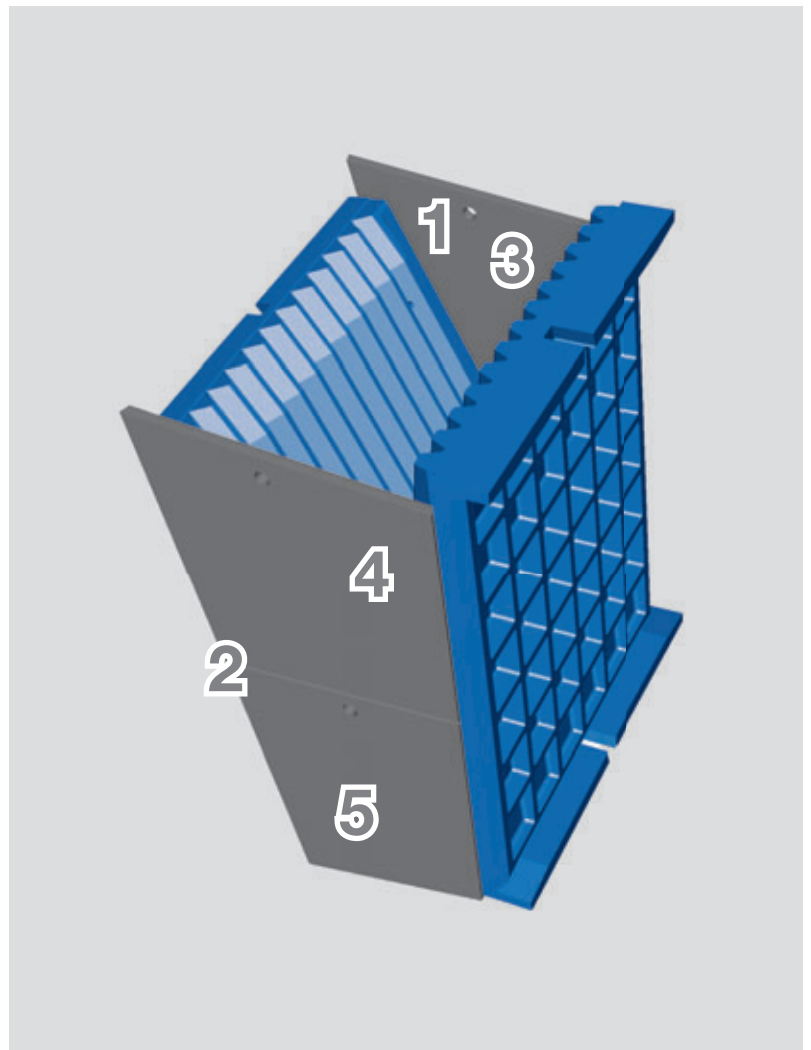
The cheek plates are located to the right and left of the crusher jaws. They are made of highly wear-resistant steel to protect the crusher housing.

Depending on the type of machine the cheek plates can be replaced one-part or two-part.

Designed for ease of use, the cheek plates can be assembled without screws, saving valuable dismantling and fitting time.



- 1** The cheek plates are made of high-quality steel (Hardox) to minimise wear as much as possible.
- 2** For ease of assembly and depending on the type of machine, the cheek plates are in two parts.
- 3** The practical design of the cheek plates allows quick installation without screws.
- 4** The cheek plates protect the entire crusher housing.
- 5** Cheek plates together with crusher jaws form an optimum crushing chamber for material crushing.



Machine type	Model	Series range	Cheek plate standard – left		Cheek plate standard – right	
			top	bottom	top	bottom
MC 100 R	K001	0001 - 9999	F10350993 (one-piece)		F10350983 (one-piece)	
MC 110 R	K003	0001 - 9999	F10377273	F10377293	F10377263	F10377283
MC 110 R EVO	K005	0001 - 9999	2242112	2242120	2242111	2242115
MC 110 Z	K004	0001 - 9999	F10377273	F10377293	F10377263	F10377283
MC 110 Z EVO	K006	0001 - 9999	2242112	2242120	2242111	2242115
MC 120 Z	K007	0001 - 9999	F20002093	F20002094	F20002091	F20002092
MC 125 Z	K008	0005 - 9999	F10109101	F10109111	F10109101	F10109111

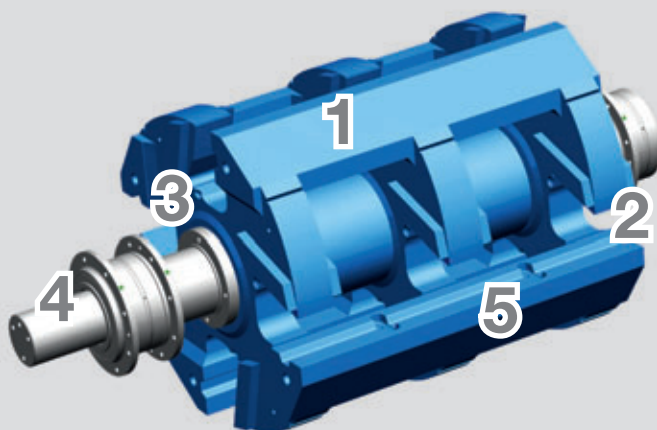
Machine type	Model	Series range	Cheek plate HARDOX 500, left		Cheek plate HARDOX 500, right	
			top	bottom	top	bottom
MC 100 R	K001	0001 - 9999	2314602 (one-piece)		2314596 (one-piece)	
MC 110 R	K003	0001 - 9999	2243829	2243840	2243817	2243821
MC 110 R EVO	K005	0001 - 9999	2355333	2355337	2355332	2355334
MC 110 Z	K004	0001 - 9999	2243829	2243840	2243817	2243821
MC 110 Z EVO	K006	0001 - 9999	2355333	2355337	2355332	2355334
MC 120 Z	K007	0001 - 9999	2314575	2314587	2314582	2314590
MC 125 Z	K008	0005 - 9999	2369899	2369903	2369899	2369903

# ORIGINAL KLEEMANN ROTORS

The rotor, which can weigh up to 6.5 tonnes, rotates at high speed in the crusher housing and flings the material that is fed in against the impact toggle.

To maximise service life Kleemann uses 250 kg of welding wire per rotor that is welded using a modern welding robot. After this, the rotor is given a separate special hard-weld deposit to protect it from wear.

In addition to individual rotors, Kleemann offers preassembled ones with a shaft and bearings, which makes assembly much easier and significantly reduces the time needed for installation.



- 1** Special hard-weld deposit protects the rotor from wear.
- 2** Precision CNC-machined surfaces provide optimum retention of original Kleemann blow bars.
- 3** The massive designed rotor fastens the blow bars with a simple wedge clamping system and allows a quick change.
- 4** The shaft with bearings especially manufactured by Kleemann influences the perfect rotational behaviour of the rotor and ensures the correct acceleration.
- 5** Each rotor is subject to stringent quality requirements. That is why every rotor is tested for function and balance in a special device at Kleemann.

Machine type	Model	Series range	Rotor	Rotor with shaft and bearings
			Part No.	Part No.
MR 110 R EVO	K016	0001 - 9999	F20012996	2277221
MR 110 Z EVO	K017	0001 - 9999	F20012996	2277221
MR 110 Z EVO 2	K018	0001 - 9999	F20012996	2277221
MR 110 Zi EVO 2	K019	0001 - 9999	F20012996	2277221
MR 122 Z	K062	0001 - 9999	F10036880	2277133
MR 130 R, MR 130 R EVO	K023	0001 - 0199	F20002161	2277134
		0200 - 9999	F20013070	2277204
MR 130 Z, MR 130 Z EVO	K024	0001 - 0299	F20002161	2277134
		0300 - 9999	F20013070	2277204
MR 130 Z EVO 2	K077	0001 - 9999	F20013070	2277204
MR 130 Zi EVO 2	K078	0001 - 9999	F20013070	2277204



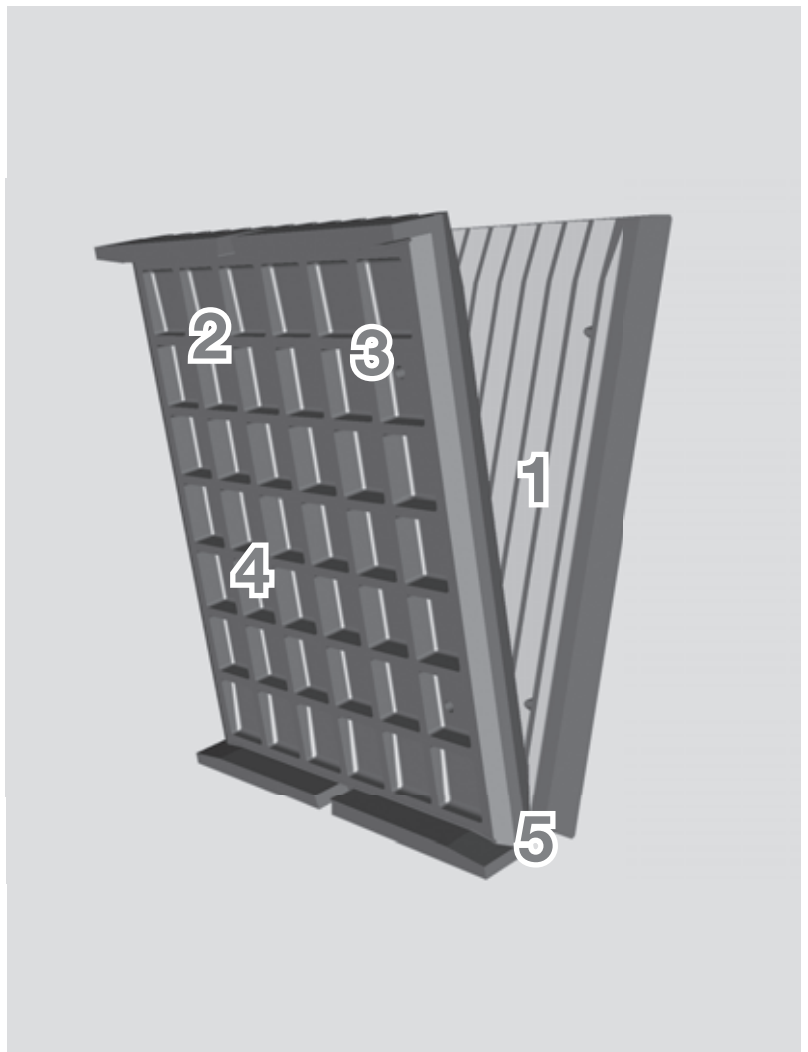


# ORIGINAL KLEEMANN CRUSHER JAWS

A good crushing result with low wear costs is significantly influenced by the choice of the right crushing tools. The quality of the steel has a significant influence on the service life. The crusher jaws are made of special manganese steel with high manganese content. The wear resistance results from strain hardening. During high impact or compression stress, the hardness of the surface increases up to 700 HV, while the base material remains resilient. For wear parts with a high wear resistance and quality, the raw material used and the entire moulding process are critical.



- 1** **Special manganese steel** ensures long service life.
- 2** **The honeycomb** design reduces the weight and increases the stiffness.
- 3** **The flat-ground rear wall** saves costly removal and fitting time due to the good fit and provides long service lives.
- 4** **Due to the exact support,** damage to the crusher is prevented and the risk of fracture due to the poor distribution of the crushing forces reduced.
- 5** **The symmetrical shape** increases the utilisation factor as it can be turned once.





For best results you need the right crushing tools. Below is a description of the main crusher jaw tooth profiles and their primary uses.

Tooth shape	End product size	Feed material				
		Hard rock	Soft and medium hard rock	Gravel	Building rubble / recycling	Plate-like, medium hard rocks
RT (regular teeth)	> 60mm	●	● ●	● ●	● ●	● ●
FT (flat teeth)	> 60mm	● ●	●	●	●	○
ST (sharp teeth)	< 60mm	○	●	● ●	●	● ●





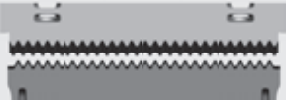
Highly recommended



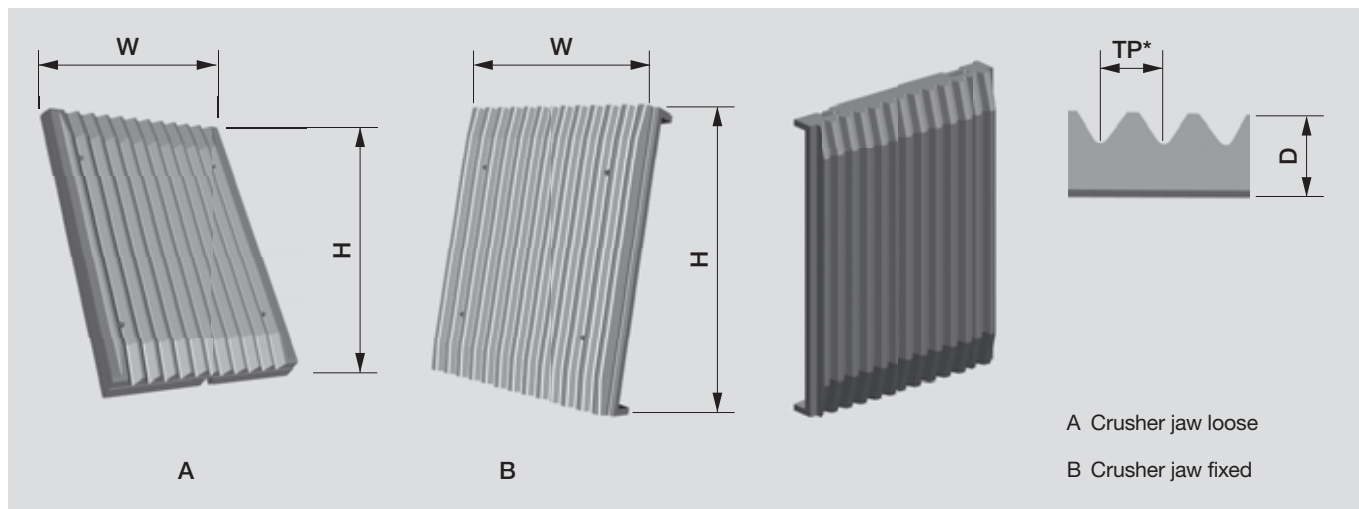
Recommended



Not recommended

Tooth shape	Illustration	Properties
RT (regular teeth)		Balanced with respect to lifetime, energy consumption and crushing pressure, suitable for natural stone and gravel.
FT (flat teeth)		Due to the higher wear dimensions, the flat teeth are especially powerful in abrasive material. The result is a higher pressure load and thus higher energy consumption.
ST (sharp teeth)		The pointed teeth reduce the plate-like share in the crushed material. Recommended for small gap widths (< 60 mm).

# ORIGINAL KLEEMANN CRUSHER JAWS



Machine type	Model	Series range	Material	Tooth shapes for fixed crusher jaw					
				RT (regular-teeth)	Tooth pitch	FT (flat-teeth)	Tooth pitch	ST (sharp-teeth)	Tooth pitch*
MC 100 R	K002	0001 - 9999	MnCr 18.2	2241824	85				
MC 110 R, MC 110 Z	K003, K004	0001 - 9999	MnCr 18.2	2231206	85				
			MnCr 20.3	2231208	85				
MC 110 R EVO, MC 110 Z EVO	K005, K006	0001 - 9999	MnCr 18.2	2234950	85	2305307	120	2305306	37
				2234950	85	2305307	120	2305306	37
MC 120 Z	K007	0001 - 9999	MnCr 18.2	2241826	110				
MC 125 Z	K008	0005 - 9999	MNX50	F10156701	150	F10399811	150		

Machine type	Model	Series range	Material	Tooth shapes for moving crusher jaw					
				RT (regular-teeth)	Tooth pitch	FT (flat-teeth)	Tooth pitch	ST (sharp-teeth)	Tooth pitch*
MC 100 R	K002	0001 - 9999	MnCr 18.2	2241823	85				
MC 110 R, MC 110 Z	K003, K004	0001 - 9999	MnCr 18.2	2231194	85				
			MnCr 20.3	2231198	85				
MC 110 R EVO, MC 110 Z EVO	K005, K006	0001 - 9999	MnCr 18.2	2234941	85	2305311	120	2305309	37
				2234941	85	2305311	120	2305309	37
MC 120 Z	K007	0001 - 9999	MnCr 18.2	2241825	110				
MC 125 Z	K008	0005 - 9999	MNX50	F10156711	150				

\* Other tooth pitches and tooth shapes are of course available on request. Please contact the relevant branch.

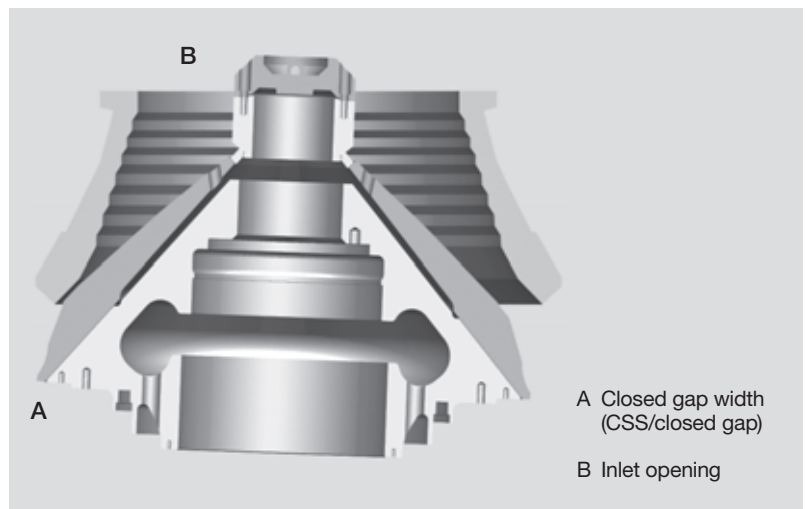




# ORIGINAL KLEEMANN CRUSHING TOOL FOR CONE CRUSHER

The crushing tools must be selected according to the initial material size and the final product, so that the entire wear surface is used and the desired performance is achieved throughout the life. If, for example, wear parts for a coarse crushing chamber are used when crushing fine feed material, the crushing process is focused on only the lower part of the tools, while the upper portion is hardly stressed. This results in a premature change of crushing tools.

A well-tuned combination ensures a normal wear performance, good utilisation of crushing tools and a good end product.



A Closed gap width (CSS/closed gap)

B Inlet opening

Machine type	Model	Designation crushing cone and crushing shell	Part No.	Manganese steel	Standard	
					Closed gap width (A)	Inlet opening (B)
MCO 9, MCO 9i, MCO 9S, MCO 9Si	K072, K073, K074, K075	Crushing cone standard	2295672	MnCr18.2		
		Crushing shell standard fine	2295652	MnCr18.2	16	138
		Crushing shell standard medium	2295649	MnCr18.2	18	148
		Crushing shell standard coarse	2295646	MnCr18.2	25	192
		Crushing cone short head	2295676	MnCr18.2		
		Crushing shell short head fine	2369178	MnCr18.2	6	87
		Crushing shell short head medium	2369191	MnCr18.2	10	120
		Crushing shell short head coarse	2369180	MnCr18.2	12	144
MCO 11*, MCO 11S, MCO 11SX*	K038*, K064*, K041*	Crushing cone standard	2272901	MnCr18.2		
		Crushing shell standard fine	2272891	MnCr18.2	16	151
		Crushing shell standard medium	2272893	MnCr18.2	18	192
		Crushing shell standard coarse	2272894	MnCr18.2	25	226
		Crushing cone standard	2359102	MnCr20.3		
		Crushing shell standard fine	2359113	MnCr20.3	16	151
		Crushing shell standard medium	2359107	MnCr20.3	18	192
		Crushing shell standard coarse	2359105	MnCr20.3	25	226
		Crushing cone short head	2272900	MnCr18.2		
		Crushing shell short head fine	2272889	MnCr18.2	6	73
		Crushing shell short head medium	2272890	MnCr18.2	10	104
		Crushing shell short head coarse	2272897	MnCr18.2	12	123
MCO 13*, MCO 13S*	K042*, K044*	Crushing cone standard	2269083	MnCr18.2		
		Crushing shell standard fine	2268977	MnCr18.2	16	175
		Crushing shell standard medium	2268979	MnCr18.2	22	249
		Crushing shell standard coarse	2268981	MnCr18.2	25	318
		Crushing cone standard	2359123	MnCr20.3		
		Crushing shell standard fine	2359127	MnCr20.3	16	175
		Crushing shell standard medium	2359126	MnCr20.3	22	249
		Crushing shell standard coarse	2359124	MnCr20.3	25	318
		Crushing cone short head	2268993	MnCr18.2		
		Crushing shell short head fine	2268967	MnCr18.2	10	98
		Crushing shell short head medium	2268968	MnCr18.2	10	110
		Crushing shell short head coarse	2268971	MnCr18.2	12	144

\* Breaking tools only for Kleemann cone crusher



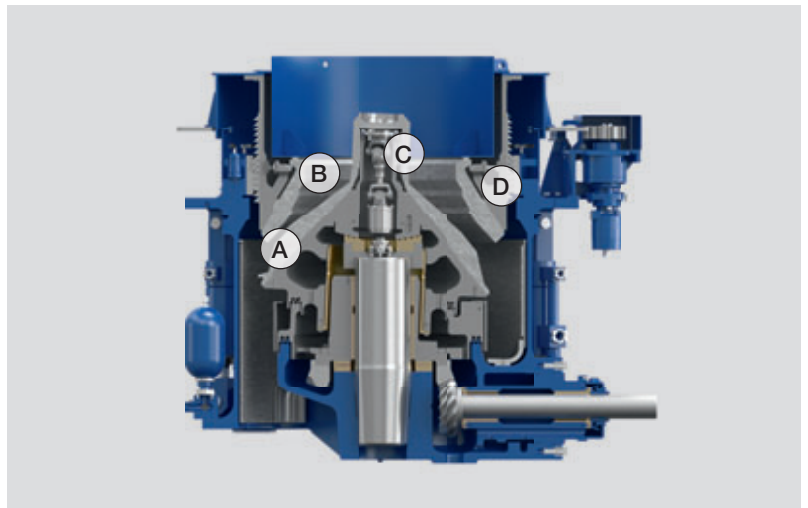


# ORIGINAL KLEEMANN WEAR COMPONENTS FOR CONE CRUSHER

## The complete solution for crusher tool replacement

The cone crusher service package is optimally equipped for crusher tool replacement.

The service package contains all components which are required to replace the crushing shell (A), the crushing cone (B), the seal ring (C) made of specially processed steel, the seal compound (D) and the mounting hardware.



Machine type	Model	Series range	Designation/ content of kit	Quantity	Version Short Head Medium		
					Fine	Medium	Coarse
					Part No.	Part No.	Part No.
MCO 9, MCO 9i, MCO 9S, MCO 9Si	K072, K073, K074, K075	0001 - 9999	Cone	1	2295676	2295676	2295676
			Shell	1	2369178	2369191	2369180
			Seal ring	1	2322420	2322420	2322420
			Spring lock washer	1	M00182003	M00182003	M00182003
			Screw	4	2328490	2328490	2328490
			Cotter	4	M00182961	M00182961	M00182961
			Lubrication grease	1	2342967	2342967	2342967
			<b>Kit No.</b>		<b>2402524</b>	<b>2402523</b>	<b>2402522</b>
MCO 11, MCO 11 S, MCO 11 SX	K038, K064, K041	0001 - 9999	Cone	1	2272900	2272900	2272900
			Shell	1	2272889	2272890	2272897
			Seal ring	1	2272888	2272888	2272888
			Spring lock washer	4	M00182005	M00182005	M00182005
			Screw	4	2328491	2328491	2328491
			Cotter	6	2246426	2246426	2246426
			Lubrication grease	1	2342967	2342967	2342967
			Sealing set	6	M10021732	M10021732	M10021732
<b>Kit No.</b>		<b>2402538</b>	<b>2402537</b>	<b>2402536</b>			
MCO 13, MCO 13 S	K042, K044	0001 - 9999	Cone	1	2268993	2268993	2268993
			Shell	1	2268967	2268968	2268971
			Seal ring	1	2269095	2269095	2269095
			Spring lock washer	4	M00182007	M00182007	M00182007
			Screw	4	2328492	2328492	2328492
			Cotter	6	2330762	2330762	2330762
			Lubrication grease	1	2342967	2342967	2342967
			Sealing set	8	M10021732	M10021732	M10021732
<b>Kit No.</b>		<b>2402582</b>	<b>2402581</b>	<b>2402580</b>			



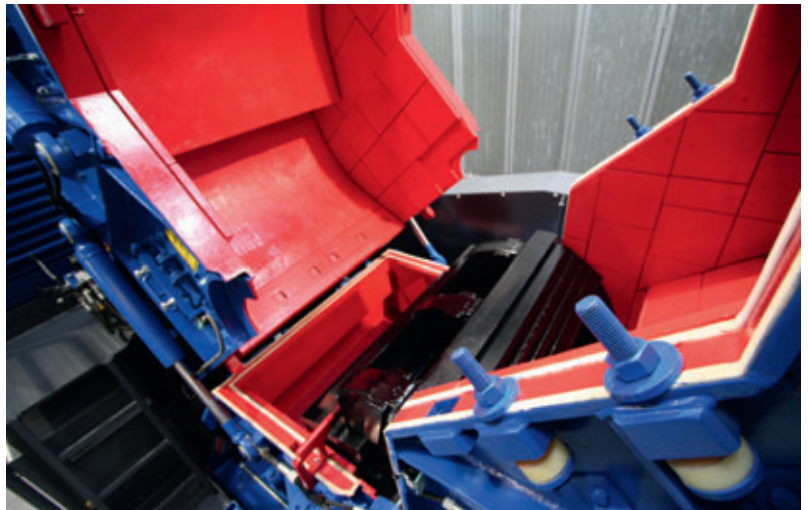


Machine type	Model	Series range	Designation/ content of kit	Quantity	Version Standard		
					Fine	Medium	Coarse
					Part No.	Part No.	Part No.
MCO 9, MCO 9i, MCO 9S, MCO 9Si	K072, K073, K074, K075	0001 - 9999	Cone	1	2295672	2295672	2295672
			Shell	1	2295652	2295649	2295646
			Seal ring	1	2322420	2322420	2322420
			Spring lock washer	1	M00182003	M00182003	M00182003
			Screw	4	2328490	2328490	2328490
			Cotter	4	M00182961	M00182961	M00182961
			Lubrication grease	1	2342967	2342967	2342967
			<b>Kit No.</b>		<b>2402521</b>	<b>2402519</b>	<b>2402518</b>
MCO 11, MCO 11 S, MCO 11 SX	K038, K064, K041	0001 - 9999	Cone	1	2272901	2272901	2272901
			Shell	1	2272891	2272893	2272894
			Seal ring	1	2272888	2272888	2272888
			Spring lock washer	4	M00182005	M00182005	M00182005
			Screw	4	2328491	2328491	2328491
			Cotter	6	2246426	2246426	2246426
			Lubrication grease	1	2342967	2342967	2342967
			Sealing set	6	M10021732	M10021732	M10021732
<b>Kit No.</b>		<b>2402535</b>	<b>2402534</b>	<b>2402532</b>			
MCO 13, MCO 13 S	K042, K044	0001 - 9999	Cone	1	2269083	2269083	2269083
			Shell	1	2268977	2268979	2268981
			Seal ring	1	2269095	2269095	2269095
			Spring lock washer	4	M00182007	M00182007	M00182007
			Screw	4	2328492	2328492	2328492
			Cotter	6	2330762	2330762	2330762
			Lubrication grease	1	2342967	2342967	2342967
			Sealing set	8	M10021732	M10021732	M10021732
<b>Kit No.</b>		<b>2402579</b>	<b>2402577</b>	<b>2402576</b>			

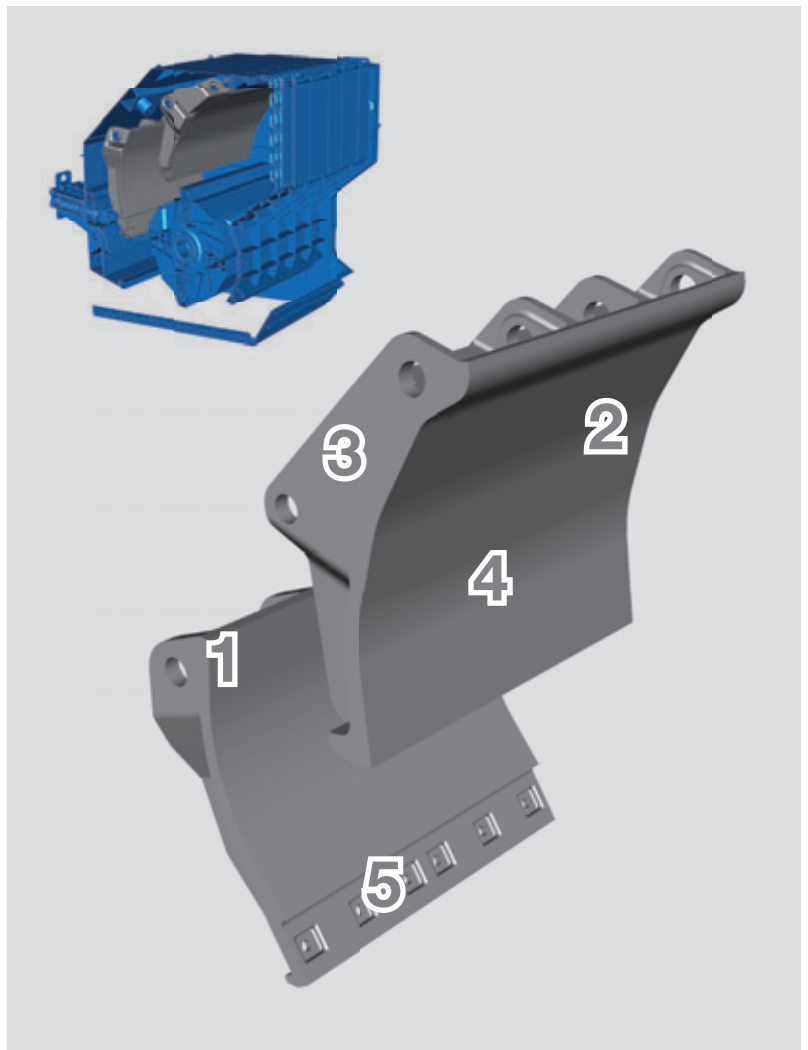
# ORIGINAL KLEEMANN IMPACT TOGGLES IN MONOBLOCK DESIGN

After the crushed material was collected by the blow bars, it is greatly accelerated and thrown onto the impact tools. Impact toggles are exposed to a constant load in operation. Along with factors such as the feed material, rotor speed and gap setting, above all the correct choice of materials plays a major role in the wear.

Kleemann uses only high manganese steels with excellent strain hardening on the impact toggles for high resistance to wear.



- 1** A shaft mounting checked for correct alignment eases fitting on the construction site.
- 2** The thick-walled wear coat reduces downtimes.
- 3** Forms adjusted to the rotor and inlet area ensure optimum crushing results even during advanced wear.
- 4** Special manganese steel castings with very high strain hardening increase the wear resistance, parallel to that the tough core minimises the risk of breakage.
- 5** Special pockets for retaining cams ensure the impact plates are retained the best way.



Machine type	Model	Series range	Impact toggle	
			top	bottom
MR 100 R	K012	0001 - 9999	F10322171	F10322161
MR 100 Z	K013	0001 - 9999	F10322171	F10322161
MR 110 R EVO	K016	0002 - 9999	F20009826	F20009852
MR 110 Z EVO	K017	0002 - 9999	F20009826	F20009852
MR 110 Z EVO	K018	0001 - 9999	F20009826	F20009852
MR 110 Zi EVO 2	K019	0001 - 9999	F20009826	F20009852
MR 122 Z	K062	0001 - 9999	F10501501	F10501511
MR 130 R, MR 130 R EVO	K023	0001 - 0199	F10329091	F10483791
		0200 - 9999	F20011752	F20011758
MR 130 Z, MR 130 Z EVO	K024	0001 - 0299	F10329091	F10483791
		0301 - 9999	F20011752	F20011758
MR 130 Z EVO 2	K077	0001 - 9999	F20011752	F20011758
MR 130 Z EVO 2	K078	0001 - 9999	F20011752	F20011758

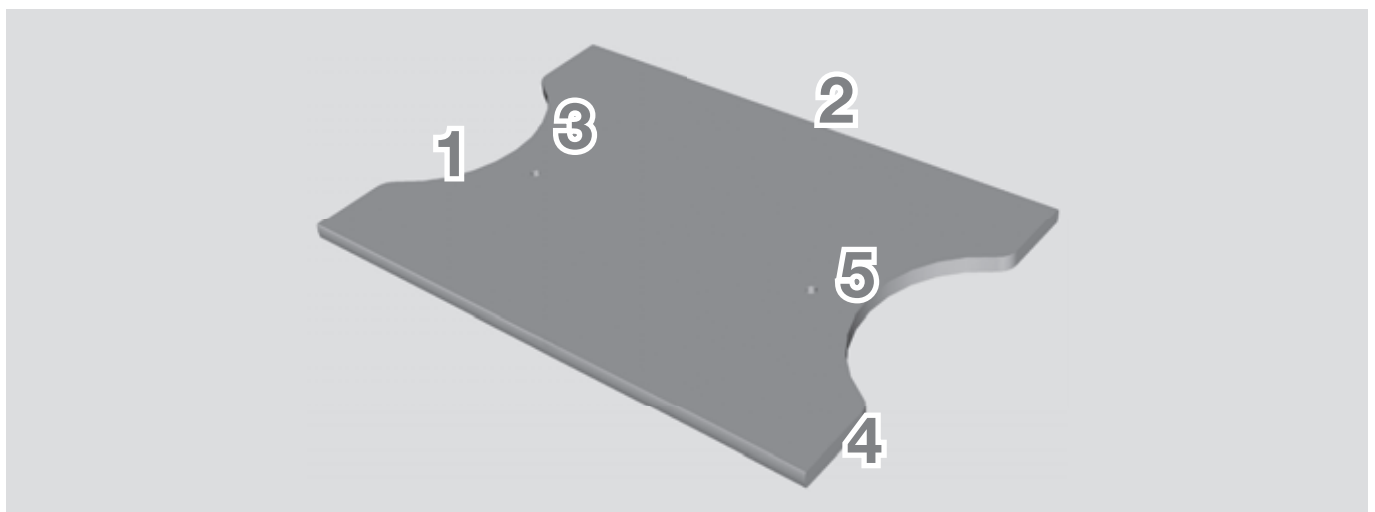
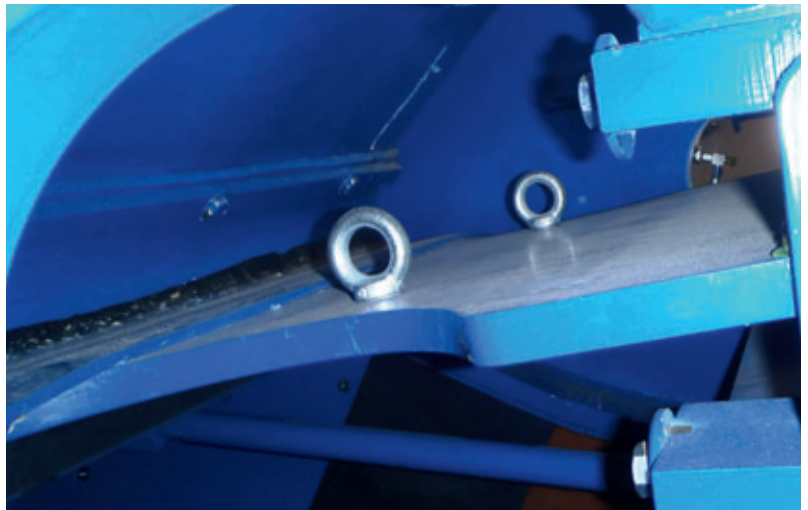


# ORIGINAL KLEEMANN BEARING BLOCKS

## Crusher overload protection

The bearing block is used to protect the crusher against materials that cannot be processed, e.g. pieces of steel. If an overload occurs, the bearing block protects the crusher against damage and expensive consequential loss.

Thanks to their special geometry and their manufacture from special steel, the original Kleemann bearing blocks are optimally designed for the forces in the crusher.



- 1** Through special geometries (lateral recesses) of the pressure plate a crusher overload is prevented.
- 2** The special steel (Hardox) is particularly resistant to wear.
- 3** The designated fixtures allow an easy installation.
- 4** Radii are precisely matched to the pressure plate bearing.
- 5** Defined breaking points prevent damage to the toggle and bearing.



Machine type	Model	Series range	Part No.
MC 100 R	K001	0001 - 9999	F10351413
MC 110 R	K003	0001 - 9999	F10377373
MC 110 R EVO	K005	0001 - 9999	2245263
MC 110 Z	K004	0001 - 9999	F10377373
MC 110 Z EVO	K006	0001 - 9999	2245263
MC 120 Z	K007	0001 - 9999	F20013755
MC 125 Z	K008	0005 - 9999	F10264034

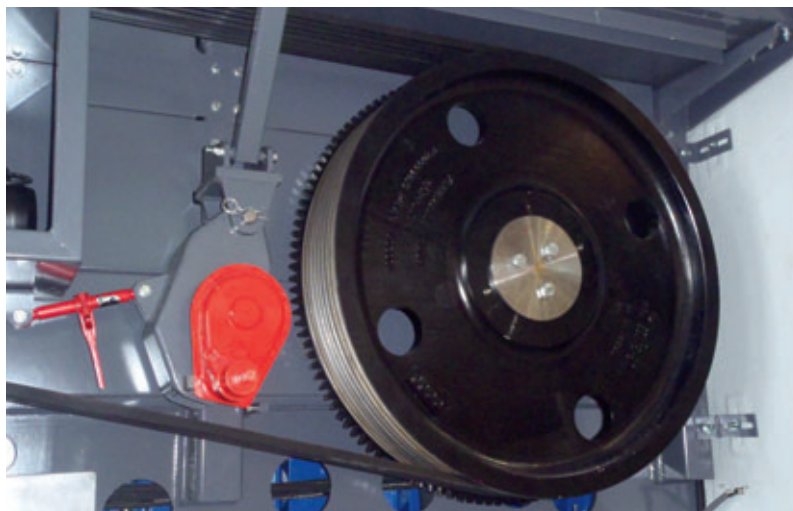
# ORIGINAL KLEEMANN POWER BELTS

## Optimal power transmission

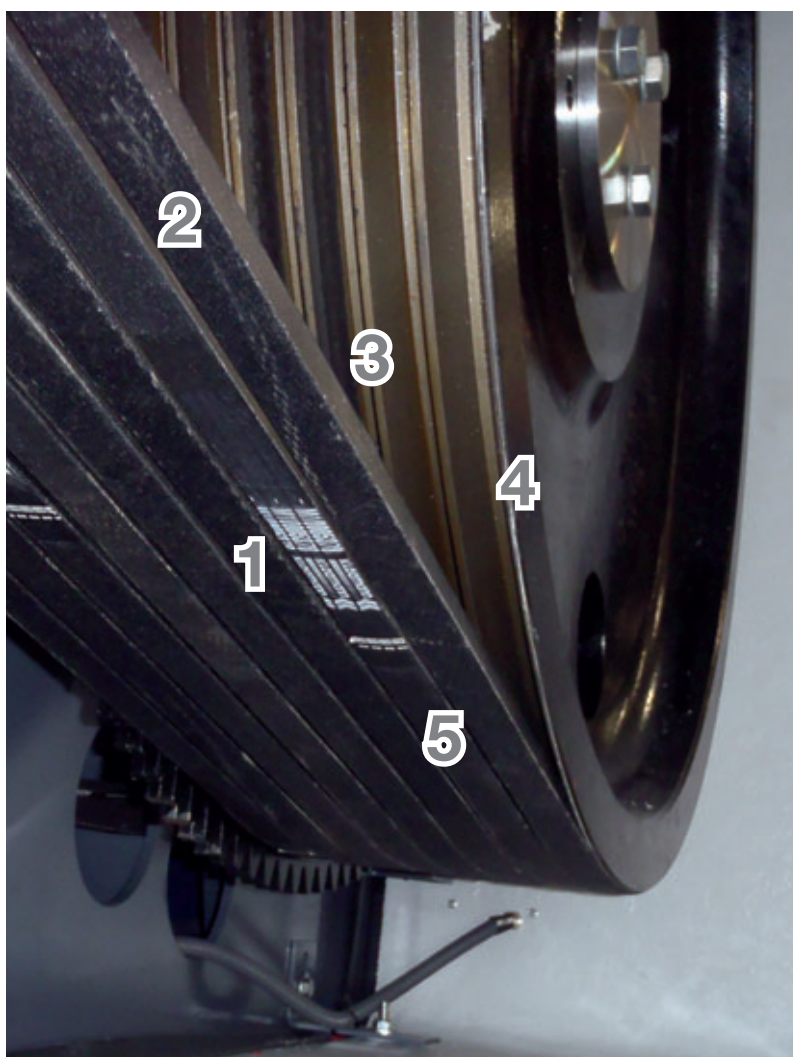
The high-performance narrow V-belts are specially designed for large drives subject to heavy loads.

The low-elongation material has a high tensile strength and also provides extremely high abrasion and wear resistance.

Contrary to popular V-belts, the high-performance belt has a tapered shape, which causes an increased profile. Thus, it also meets the high demands of the crusher drive and runs pretty quiet.



- 1** Power belts with high performance ensure ideal crusher drive.
- 2** Made of low stretch material, the belt is extremely abrasion- and wear-resistant.
- 3** The profile increases the power transmission of the belt and extends the service life.
- 4** The interplay of material and profile properties optimises the quiet running characteristics.
- 5** The cover fabric used is extremely drive-resistant.



Machine type	Model	Series range	Narrow V-belt	
			Part No.	Quantity
MC 100 R	K001	0001 - 9999	M00211423	8
MC 110 R	K003	0001 - 9999	M00211423	10
MC 110 R EVO	K005	0001 - 9999	2290313	10
MC 110 Z	K004	0001 - 9999	M00211423	10
MC 110 Z EVO	K006	0001 - 9999	2290313	10
MC 120 Z	K007	0001 - 9999	M10002720	10
MC 125 Z	K008	0005 - 9999	M00211050	10
MR 100 Z	K013	0001 - 9999	M10015185	6
MR 110 R EVO	K016	0002 - 9999	2227289	8
MR 110 Z EVO 2	K017	0002 - 9999	2227289	8
	K018	0001 - 9999	2321490	8
MR 110 Zi EVO 2	K019	0001 - 9999	2321490	8
MR 122 Z	K062	0001 - 9999	M10001690	10
MR 130 R, MR 130 R EVO	K023	0001 - 0199	M00211032	10
		0200 - 9999	M00211041	10
MR 130 Z, MR 130 Z EVO	K024	0001 - 0299	M00211032	10
		0301 - 9999	M00211041	10
MR 130 Z EVO 2	K077	0001 - 9999	2307463	10
MR 130 Zi EVO 2	K078	0001 - 9999	2307463	10



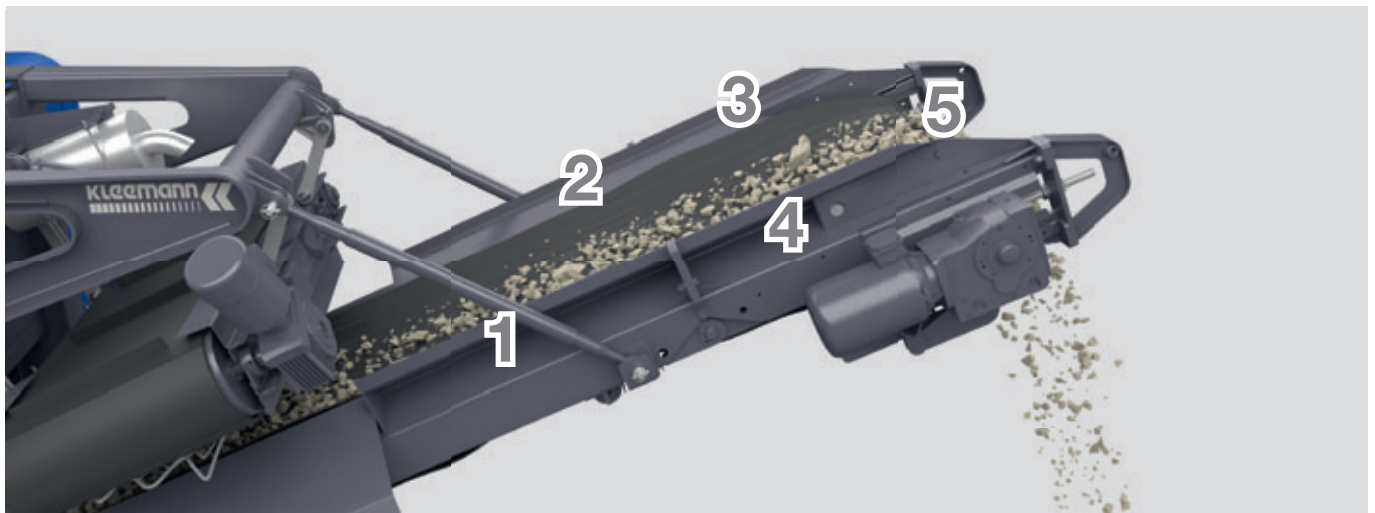


# ORIGINAL KLEEMANN CONVEYOR BELTS

The crushing performance is determined among other things by the conveying capacity of the individual conveyor belts of the Kleemann systems. For many years, Kleemann has used three- or multiply conveyor belts, which meet all requirements in quarries and gravel pits. For the conveyor belt to be operated without interruption, it must be closed indefinitely.

Here, Kleemann offers two alternatives:

- Produced as endless belts.
- Open, that means the connection is provided on site during the installation of the belt.



- 1** Kleemann has the ideal conveyor belt **for every application.**
- 2** **High-quality chevron and high chevron belts** increase conveyor output to the maximum possible level.
- 3** **Chevron and high chevron belts** are fitted with solid rubber edges for optimum material transport.
- 4** **The use of multiply conveyor belts** with extreme abrasion-resistant covers guarantees a long service life, especially with sharp-edged and extremely abrasive material.
- 5** **The elastic rubber intermediate layers** dampen the impacts caused by the various types of crushed material.



Machine type	Model	Series range	Conveyor	Belt length (in mm)	Width (in mm)	Conveyor belts	
						Conveyor belt, closed	Conveyor belt, open
MC 100	K001	0001 - 9999	Crusher discharge belt	21300	1100	F20018220	2252960
				23200	1100	F20018394	2252961
			Lateral discharge belt	9000	500	F20017275	2252962
			Permanent magnet separator	4715	750		2212014
MC 110 R, MC 110 Z	K003, K004	0001 - 9999	Crusher discharge belt	20400	1200	F20016923	2252890
				22000	1200	F20017438	2252897
			Fine-grained conveyor (secondary screen unit)	11600	1200	F20017395	2252898
			Lateral discharge belt	12900	650	F20009762	2252545
				8900	650	F20011025	2252553
			Electromagnetic separator	5710	800		M20000485
Permanent magnet separator	5315	750		M10015357			
MC 110 R EVO, MC 110 Z EVO	K005, K006	0001 - 9999	Crusher discharge belt	19400	1000	2256551	2346901
				22400	1000	2269126	2346903
			Lateral discharge belt	6150	500	2226095	2346889
				10750	500	2262332	2346890
MC 120 Z	K007	0053 - 9999	Crusher discharge belt	21000	1400	F20014924	2252938
				24000	1400	F20018504	2252939
			Lateral discharge belt	13000	650	F20015453	2252942
			Electromagnetic separator	5910	1000	2203936	
			Permanent magnet separator	4715	750		2212014
MC 125 Z	K008	0005 - 9999	Crusher discharge belt	20960	1200	2201415	2252963
				25300	1200	F20019182	2252964
			Lateral discharge belt	17000	1000	F20019180	2252965
			Permanent magnet separator	5315	750		M10015357
MCO 9, MCO 9i	K072, K073	0001 - 9999	Crusher discharge belt	18600	800	2307107	2307107
				21800	800	2336946	2392099
			Lateral discharge belt	12900	650	F20009762	2252545
MCO 9 S, MCO 9 Si	K074, K075	0001 - 9999	Crusher discharge belt	19600	800	2339948	2392109
			Fine-grained conveyor	14500	1000	2322377	2322379
			Return conveyor	20800	500	2305085	2377877
			Transfer conveyor	3800	500	F20014794	2252542
MR 110 R EVO, MR 110 Z EVO	K016, K017	0002 - 9999	Crusher discharge belt	19700	1200	F20012192	2252210
			Fine-grained conveyor (secondary screen unit)	14600	1200	F20012551	2252213
				16600	1200	2224803	2252555
			Return conveyor	17800	500	2223573	2252529
			Transfer conveyor	3800	500	F20014794	2252542
			Lateral discharge belt	12900	650	F20009762	2252545
				8900	650	F20011025	2252553
			Electromagnetic separator	5710	800		M20000485
Permanent magnet separator	4715	750		2212014			

# ORIGINAL KLEEMANN CONVEYOR BELTS

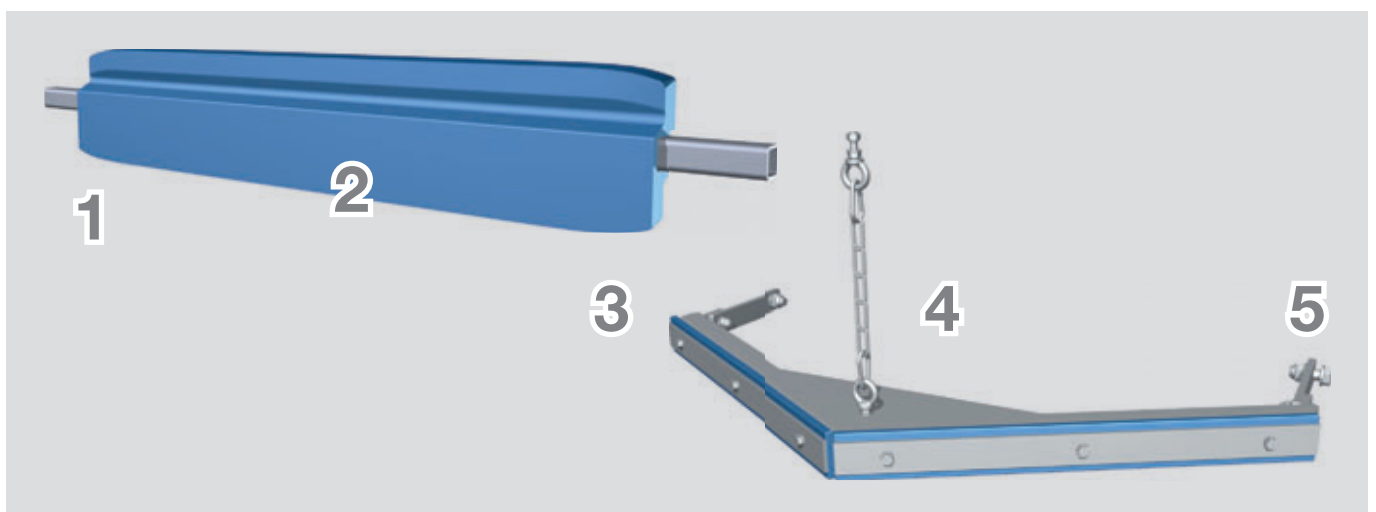
Machine type	Model	Series range	Conveyor	Belt length (in mm)	Width (in mm)	Conveyor belts	
						Conveyor belt, closed	Conveyor belt, open
MR 110 Z EVO 2, MR 110 Zi EVO 2	K018, K019	0001 - 9999	Crusher discharge belt	19600	1200	2358281	2358905
			Fine-grained conveyor (secondary screen unit)	14500	1000	2322377	2377901
			Return conveyor	19000	500	2336219	2377900
			Transfer conveyor	3800	500	F20014794	2252542
			Lateral discharge belt	12900	650	F20009762	2252545
				8900	650	F20011025	2252553
			Electromagnetic separator	5110	1000	2361793	
Permanent magnet separator	5330	750	2377331				
MR 122 Z	K062	0066 - 9999	Crusher discharge belt	21000	1400	F20014924	2252938
				24000	1400	F20018504	2252939
				25000	1400	F20019072	2252946
			Lateral discharge belt	12900	650	F20009762	2252545
			Electromagnetic separator	5910	1000	2203936	
MR 130 R EVO, MR 130 Z EVO	K023, K024	0200 - 9999, 0301 - 9999	Crusher discharge belt	20500	1400	F20011462	2252560
				23100	1400	F20014740	2252562
			Fine-grained conveyor (secondary screen unit)	15300	1400	F20011977	2252576
				17300	1400	F20014597	2252602
			Return conveyor	18800	500	2223564	2252582
			Transfer conveyor	4200	500	F20014607	2252590
			Lateral discharge belt	12900	650	F20009762	2252545
				8900	650	F20011025	2252553
Electromagnetic separator	5710	800		M20000485			
Permanent magnet separator	5315	750		M10015357			
MR 130 Z EVO 2, MR 130 Zi EVO 2	K077, K078	0001 - 9999	Crusher discharge belt	20400	1400	2358152	2358894
				23600	1400	2351696	2377874
			Fine-grained conveyor (secondary screen unit)	14700	1200	2305013	2377897
			Return conveyor	20800	500	2305085	2377877
			Transfer conveyor	4200	500	F20014607	2252590
			Lateral discharge belt	12900	650	F20009762	2252545
				8900	650	F20011025	2252553
			Electromagnetic separator	5110	1000	2361793	
Permanent magnet separator	5330	750	2377331				
MS 12 Z	K067	0001 - 9999	Feed conveyor	7348	1200	2345636	
			Fine-grained conveyor	5074	900	2345637	
			Lateral discharge belt	16444	650	2345638	
			Main discharge belt	10125	1050	2345639	
MS 13 Z	K066	0001 - 9999	Feed conveyor	8868	1200	2345640	
			Fine-grained conveyor	7199	1050	2345641	
			Lateral discharge belt	14214	650	2345642	
				15174	650	2345643	
Main discharge belt	10169	1050	2323721				

Machine type	Model	Series range	Conveyor	Belt length (in mm)	Width (in mm)	Conveyor belts	
						Conveyor belt, closed	Conveyor belt, open
MS 14 Z	K068	0001 - 9999	Hopper discharge belt	7360	1200	2345644	
			Feed conveyor	16554	900	2345645	
			Lateral discharge belt	16444	650	2345646	
			Main discharge belt	10477	1050	2345647	
MS 15 Z	K068	0001 - 9999	Feed conveyor	10048	1400	2232586	
			Fine-grained conveyor	9769	1200	2274524	
			Lateral discharge belt	16113	900	2287592	
			Main discharge belt	11829	1400	2274517	
MS 16 D, MS 16 Z	K049, K048	0001 - 9999	Hopper discharge belt	8068	1200	M10020070	
				9898	1200	M10020071	
			Feed conveyor Chevron	20019	1050	2287601	
			Feed conveyor	20019	1050	M10020212	
			Lateral discharge belt	18979	650	M10023645	
			Transfer conveyor	4170	650	2286400	
			Lateral discharge belt	17849	650	M10024194	
				17719	500	2222752	
Main discharge belt	13389	1200	M10023646				
MS 18 Z	K053	0001 - 9999	Feed conveyor (classification conveyor)	11300	1400	F20019128	2252985
			Oversize conveyor	13800	1400	F20018064	2252988
			Fine-grained conveyor (secondary screen unit)	10820	1400	2209527	2252990
			Lateral discharge belt	17200	650	F20019131	2252991
				19100	650	2202153	2252987
				17400	800	F20019130	2252992
MS 19 D, MS 19 Z	K055, K054	0001 - 9999	Hopper discharge belt	8068	1200	M10020070	
			Feed conveyor Chevron	24419	1050	2287582	
			Feed conveyor	24419	1050	M10020213	
			Lateral discharge belt	21379	800	2228594	
			Fine-grained conveyor	16879	1200	2287587	
			Transfer conveyor	4170	650	2286400	
			Lateral discharge belt	17849	650	M10024194	
				17719	650	2287591	
17719	500	2222752					
MS 21 Z	K076	0001 - 9999	Feed conveyor	10048	1500	2338017	
			Fine-grained conveyor	11909	1400	2345649	
			Lateral discharge belt	16634	1050	2345650	
				17250	900	2345651	
			Main discharge belt	16113	1600	2345653	

# ORIGINAL KLEEMANN SCRAPER STRIPS

The belts from different belt conveyors carry different materials on a daily basis. The respective front and wedge scrapers offer the protection required to guarantee a long service life.

Kleemann therefore only uses abrasion-resistant composites for its scrapers to ensure that belt wear is minimised.



- 1** The individual scrapers ensure an **optimum cleaning effect** for conveyor belts.
- 2** Scrapers provide **high wear and abrasion resistance** and feature a long service life even under tougher conditions.
- 3** **Precisely fitted scrapers guarantee less material loss** and provide considerable financial benefits.
- 4** **Easy fitting or dismantling** thanks to individually replaceable scraper strips.
- 5** Scrapers are extremely **low-maintenance and easy to clean**.

Machine type	Model	Series range	Conveyor type	Front scraper strip		Wedge scraper strip	
				Part No.	Qty.	Part No.	Qty.
MC 100	K001	0001 - 9999	Crusher discharge belt	F10362984	1	F20002398	2
			Lateral discharge belt	F10362904	1	F20002473	2
MC 110 R, MC 110 Z	K003, K004	0013 - 9999	Crusher discharge belt	F10362994	1	F20002398	2
			Fine-grained conveyor	F10362994	1	F20002422	2
			Lateral discharge belt	F10362934	1	F20002410	2
MC 110 R EVO, MC 110 Z EVO	K005, K006	0200 - 9999	Crusher discharge belt	2220753	1	F20002403	2
			Lateral discharge belt			F20002473	2
MC 120 Z	K007	0053 - 9999	Crusher discharge belt	F10363034	1	F20002833	2
			Lateral discharge belt	F10362934	1	F20002410	2
MCO 9, MCO 9i	K072, K073	0001 - 9999	Crusher discharge belt	2277175	1	F20002406	2
			Lateral discharge belt	F10362934	1	F20002410	2
MCO 9 S, MCO 9 Si	K074, K075	0001 - 9999	Crusher discharge belt	2277175	1	F20002406	2
			Transfer conveyor	2349467	1		
			Fine-grained conveyor	2220753	1	F20002403	2
			Return conveyor			F20009370	2
MR 100	K012 K013	0010 - 9999	Crusher discharge belt	F10362964	1	F20002398	2
			Lateral discharge belt	F10362934	1	F20002410	2
			Fine-grained conveyor	F10362994	1	F20002422	2
			Return conveyor			F20002473	2
MR 110 R EVO, MR 110 Z EVO	K016, K017	0002 - 9999	Crusher discharge belt	F10362994	1	F20002398	2
			Lateral discharge belt	F10362934		F20002410	2
			Fine-grained conveyor (secondary screen unit)	F10362994	1	F20002398	2
			Return conveyor			F20009370	2
MR 110 Z EVO 2, MR 110 Zi EVO 2	K018, K019	0001 - 9999	Crusher discharge belt	2200439	1	F20002398	2
			Lateral discharge belt	F10362934	1	F20002410	2
			Transfer conveyor	2349467	1		
			Fine-grained conveyor (secondary screen unit)	2220753	1	F20002403	2
			Return conveyor			F20009370	2
MR 122 Z	K062	0066 - 9999	Crusher discharge belt	F10363034	1	F20002833	2
			Lateral discharge belt	F10362934	1	F20002410	2
MR 130 R EVO, MR 130 Z EVO	K023, K024	0301 - 9999	Crusher discharge belt	F10363034	1	F20002413	2
			Lateral discharge belt	F10362934	1	F20002410	2
			Fine-grained conveyor (secondary screen unit)	F10363034	1	F20002413	2
			Return conveyor			F20009370	2
MR 130 Z EVO 2, MR 130 Zi EVO 2	K077, K078	0001 - 9999	Crusher discharge belt	2296878	1	F20002413	2
			Lateral discharge belt	F10362934	1	F20002410	2
			Transfer conveyor	2349467	1		
			Fine-grained conveyor (secondary screen unit)	2200439	1	F20002422	2
			Return conveyor			F20009370	2



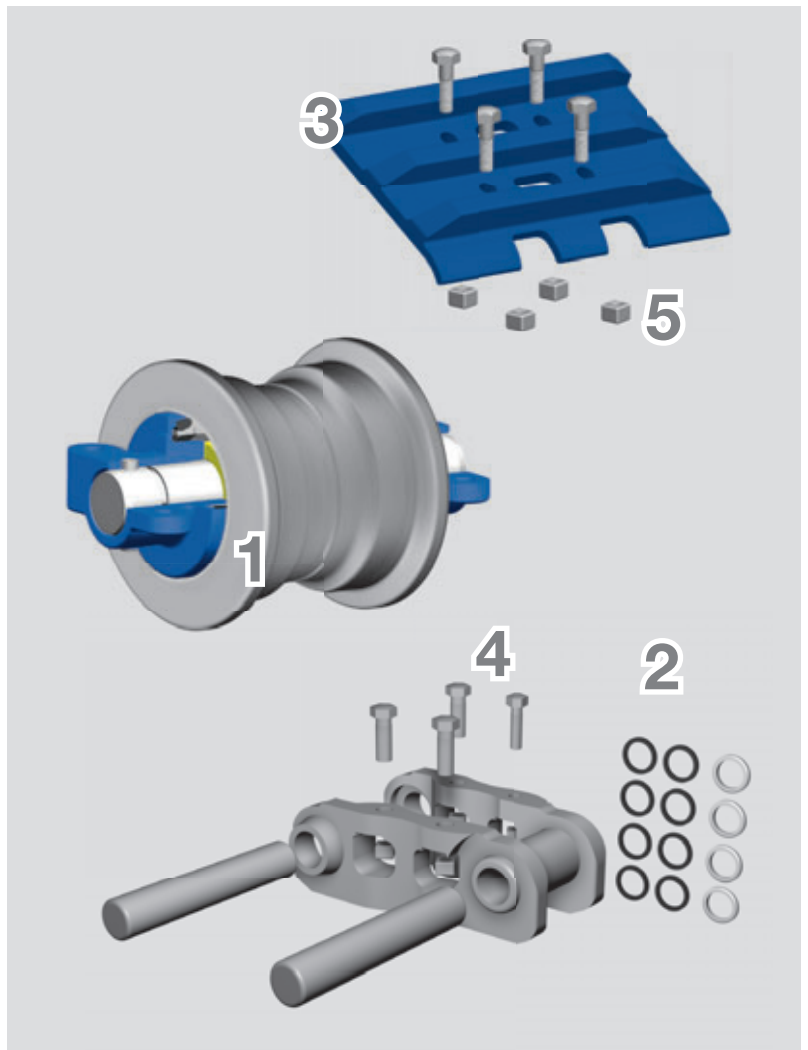
# ORIGINAL KLEEMANN CRAWLER UNIT PARTS

Original Kleemann crawler unit chains fulfill all of your needs, such as the highest levels of strength and long service lives even under extreme load and the heavy weight of Kleemann plants.

To change the chassis parts, Kleemann provides the individual parts such as roller, track pad with mounting hardware or a complete repair segment.



- 1** Rollers distribute the acting forces for a smooth running performance.
- 2** The complete repair segment allows a quick and inexpensive repair of the chain.
- 3** Track pad made of rolled high-performance steel profiles offers at the same time an optimised surface hardness.
- 4** Screws with a rounded head and fine thread provide for high-endurance and reliable connection.
- 5** Square track pad nuts ensure a fixed connection.



Machine type	Model	Series range	Crawler unit parts	Part No.	Quantity
MC 100 R	K001	0001 - 9999	Repair segment, complete	M10013851	1
			Track pad	M10020125	1
			Track roller	M10005184	1
			Screw	M10013853	1
			Nut	M10013854	1
MC 110 R	K003	0001 - 0206	Repair segment, complete	M10013856	1
			Track pad	M10022270	1
			Track roller	2294887	1
			Screw	M10013858	1
			Nut	M10013857	1
		0207 - 9999	Repair segment, complete	2223165	1
			Track pad	2223167	1
			Track roller	2320756	1
			Screw	2279277	1
			Nut	2279279	1
MC 110 R EVO	K005	0001 - 9999	Repair segment, complete	2332776	1
			Track pad	2332777	1
			Track roller	2290211	1
			Screw	2332778	1
			Nut	2332779	1
MC 110 Z	K004	0001 - 0221	Repair segment, complete	M10013856	1
			Track pad	M10022270	1
			Track roller	2294887	1
			Screw	M10013858	1
			Nut	M10013857	1
		0222 - 9999	Repair segment, complete	2223165	1
			Track pad	2223167	1
			Track roller	2320756	1
			Screw	2279277	1
			Nut	2279279	1
MC 110 Z EVO	K006	0001 - 9999	Repair segment, complete	2332776	1
			Track pad	2332777	1
			Track roller	2290211	1
			Screw	2332778	1
			Nut	2332779	1
MC 120 Z	K007	0001 - 9999	Repair segment, complete	M10013860	1
			Track pad	M20001140	1
			Track roller	M10005300	1
			Screw	M10013862	1
			Nut	M10013861	1
MCO 9, MCO 9i	K072, K073	0001 - 9999	Repair segment, complete	M10024552	1
			Track pad	M10020125	1
			Track roller	2297331	1
			Screw	M10013853	1
			Nut	M10013854	1



# ORIGINAL KLEEMANN CRAWLER UNIT PARTS

Machine type	Model	Series range	Crawler unit parts	Part No.	Quantity
MCO 9 S, MCO 9 Si	K074, K075	0001 - 9999	Repair segment, complete	2332776	1
			Track pad	2332777	1
			Track roller	2290211	1
			Screw	2332779	1
			Nut	2332779	1
MR 100 R	K012	0001 - 9999	Repair segment, complete	M10016749	1
			Track pad	M10022058	1
			Track roller	M10012358	1
			Screw	M10017665	1
			Nut	M10017666	1
MR 100 Z	K013	0001 - 9999	Repair segment, complete	M10016749	1
			Track pad	M10022058	1
			Track roller	M10012358	1
			Screw	M10017665	1
			Nut	M10017666	1
MR 110 R	K016	0002 - 0003	Repair segment, complete	M10013856	1
			Track pad	M10022270	1
			Track roller	2294887	1
			Screw	M10013858	1
			Nut	M10013857	1
		0004 - 9999	Repair segment, complete	2223165	1
			Track pad	2223167	1
			Track roller	2320756	1
			Screw	2279277	1
			Nut	2279279	1
MR 110 Z	K017	0002 - 0028	Repair segment, complete	M10013856	1
			Track pad	M10022270	1
			Track roller	2294887	1
			Screw	M10013858	1
			Nut	M10013857	1
		0029 - 9999	Repair segment, complete	2223165	1
			Track pad	2223167	1
			Track roller	2320756	1
			Screw	2279277	1
			Nut	2279279	1
MR 110 Z EVO 2	K018	0001 - 9999	Repair segment, complete	2380412	1
			Track pad	2380446	1
			Track roller	2294887	1
			Screw	2380444	1
			Nut	2380445	1
MR 110 Zi EVO 2	K019	0001 - 9999	Repair segment, complete	2380412	1
			Track pad	2380446	1
			Track roller	2294887	1
			Screw	2380444	1
			Nut	2380445	1

Machine type	Model	Series range	Crawler unit parts	Part No.	Quantity
MR 122 Z stage 2	K062	0001 - 9999	Repair segment, complete	M10013860	1
			Track pad	M20001140	1
			Track roller	M10005300	1
			Screw	M10013862	1
			Nut	M10013861	1
MR 130 R EVO	K023	0200 - 0201	Repair segment, complete	2223165	1
			Track pad	2223167	1
			Track roller	2294887	1
			Screw	2279277	1
			Nut	2279279	1
MR 130 R V3	K023	0001 - 0199	Repair segment, complete	M10013856	1
			Track pad	M10022270	1
			Track roller	2294887	1
			Screw	M10013858	1
			Nut	M10013857	1
MR 130 Z	K024	0001 - 0299	Repair segment, complete	M10013856	1
			Track pad	M10022270	1
			Track roller	2294887	1
			Screw	M10013858	1
			Nut	M10013857	1
MR 130 Z EVO	K024	0300 - 0330	Repair segment, complete	M10013856	1
			Track pad	M10022270	1
			Track roller	2294887	1
			Screw	M10013858	1
			Nut	M10013857	1
		0331 - 9999	Repair segment, complete	2223165	1
			Track pad	2223167	1
			Track roller	2320756	1
			Screw	2279277	1
			Nut	2279279	1
MR 130 Z EVO 2	K077	0001 - 9999	Repair segment, complete	2380412	1
			Track pad	2380446	1
			Track roller	2294887	1
			Screw	2380444	1
			Nut	2380445	1
MR 130 Zi EVO 2	K078	0001 - 9999	Repair segment, complete	2380412	1
			Track pad	2380446	1
			Track roller	2294887	1
			Screw	2380444	1
			Nut	2380445	1

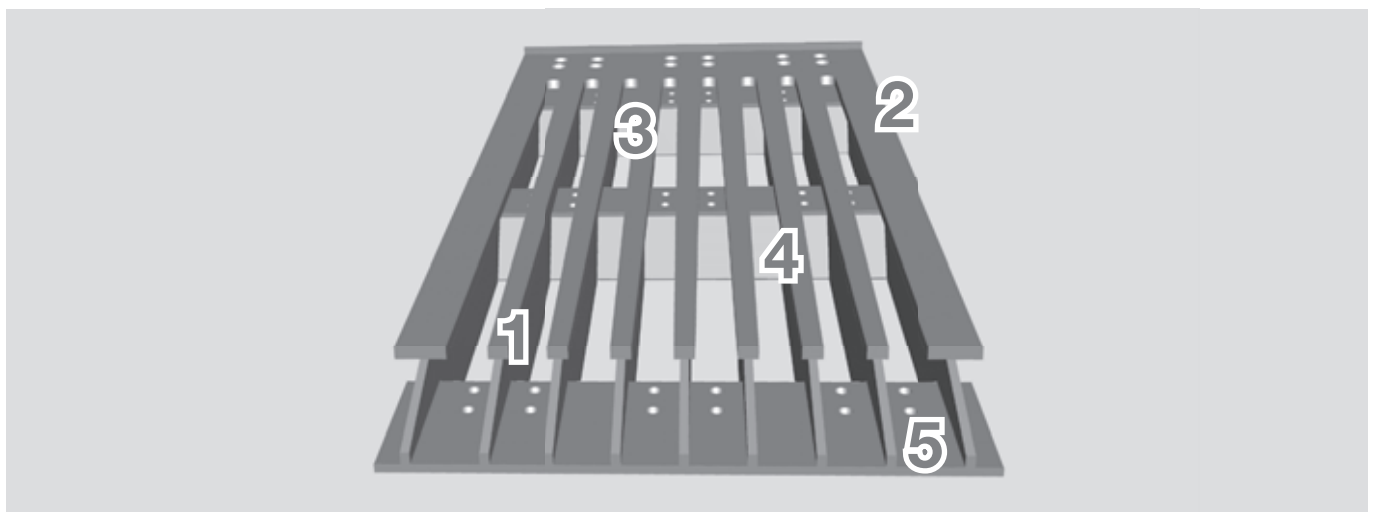


# ORIGINAL KLEEMANN SLOTTED SCREENS

On difficult, sticky and very coarse feed material a slotted grizzly is used in most cases. The demands on the selectivity should be fairly small. The feed material enters the slotted grizzly via the feed chute.

To increase the service life, the elements of the slotted screen are manufactured from a particularly wear-resistant material.

The R-version of different machine types includes a slotted grizzly which is integrated in the feed chute.



- 1** **Prescreening** flexible possible by simply replacing the entire slotted grizzly.
- 2** **Optimal distribution of the feed material** even with the most demanding material properties.
- 3** **Bars made of high-quality Hardox** particularly resist the coarse material.
- 4** **Rugged construction** withstands even the highest requirements for coarse feed material.
- 5** **Expanding the gap** width in the material flow direction prevents grains from getting stuck and ensures a permanent screening performance.

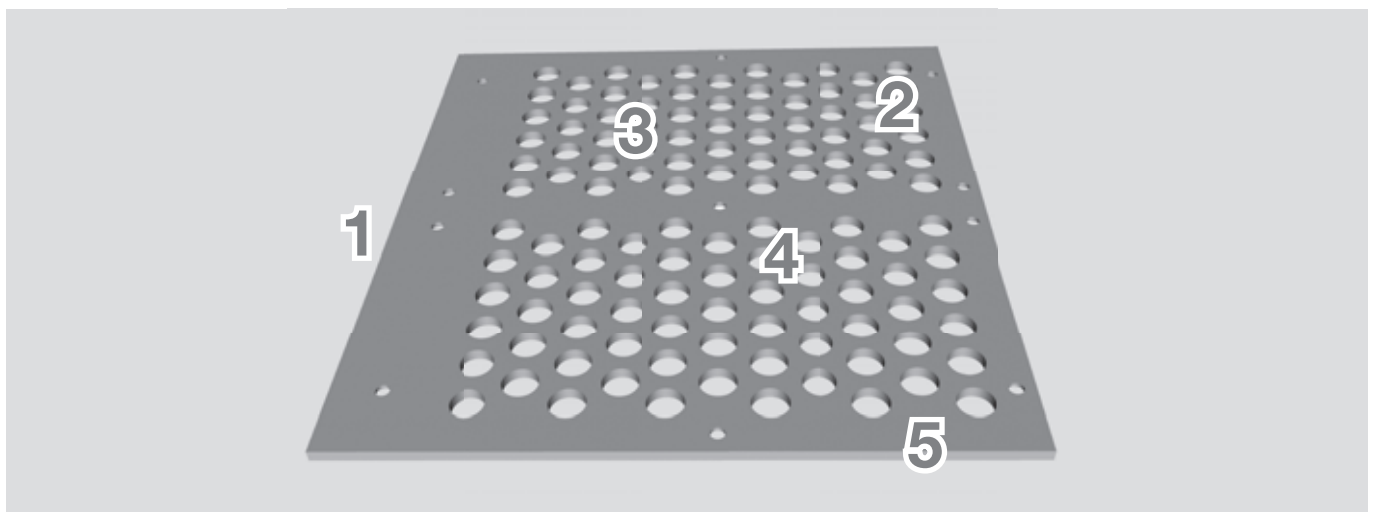


Machine type	Model	Series range	Slotted screen	
			Part No.	Rod spacing (mm)
MC 110 R	K003	0001 - 9999	2234419	40
			F20009648	50
MC 110 R EVO	K005	0001 - 9999	2298411	45
			2298412	55
			2298413	65
MC 110 Z	K004	0001 - 9999	F20003570	45
			F20003701	55
			F20017141	65
MC 110 Z EVO	K006	0001 - 9999	2298411	45
			2298412	55
			2298413	65
MC 120 Z	K007	0001 - 9999	F20017519	45
			F20007126	65
			F20017522	75
			F20017086	85
MR 100 Z	K013	0001 - 9999	F10410151	45
MR 110 Z EVO	K017	0002 - 9999	F20003570	45
			F20003701	55
			F20017141	65
MR 110 Z EVO 2	K018	0001 - 9999	2332229	45
			2332262	55
			2332315	65
			2332183	75
MR 110 Zi EVO 2	K019	0001 - 9999	2332229	45
			2332262	55
			2332315	65
			2332183	75
MR 122 Z	K062	0001 - 9999	F20018433	45
			F20018405	55
			F20018497	70
MR 130 Z EVO	K024	0001 - 0299	F20018433	45
			F20018405	55
			F20018497	70
		0301 - 9999	F20011673	45
			F20011381	55
			F20011677	65
MR 130 Z EVO 2	K077	0001 - 9999	2298473	45
			2295997	55
			2341036	65
MR 130 Zi EVO 2	K078	0001 - 9999	2298473	45
			2295997	55
			2341036	65

# ORIGINAL KLEEMANN PERFORATED PLATES

To withstand the enormous impact loads and friction loads and to maximise the service life, perforated plates of wear-resistant material are used at Kleemann.

These provide a good combination of high hardness and excellent toughness to keep the wear low with the different loads.



- 1** Relief of the crusher through prescreening of fine particles.
- 2** The staggered arrangement of the circular holes allows best separation results.
- 3** Round holes combine high rigidity with relatively large free cross section.
- 4** The use of Hardox leads to a long service life.
- 5** The individual perforated plates allow an easy and quick replacement.

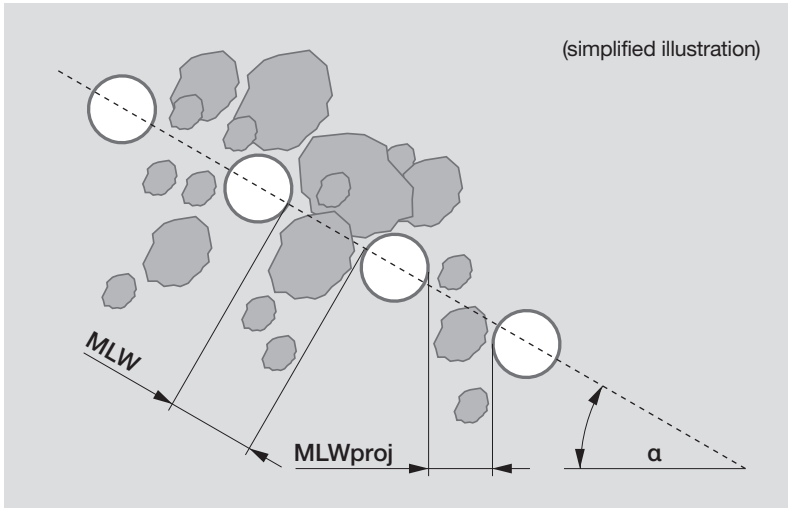
Machine type	Model	Series range	Perforated plate			
			Perforated plate type charging Part No.	Perforated plate type discharge Part No.	Average mesh size (in mm)	Thickness (in mm)
MC 110 Z	K004	0001 - 9999	F20016177	F20016178	30	20
			F20007386	F20007387	40	20
			F20007380	F20007385	45	20
			F20006468	F20006469	50	20
			F20005644	F20005647	60	20
			F20003962	F20003963	70	20
			F20005654	F20005653	80	20
MC 110 R EVO, MC 110 Z EVO	K005, K006	0001 - 9999	2298372		30	20
			2298457		35	20
			2298374		40	20
			2298461		45	20
			2298378		50	20
			2298381		60	20
			2298384		70	20
2298472		80	20			
MC 120 Z	K007	0053 - 9999	F20017381	F20017384	60	20
			F20017390	F20017391	70	20
			F20005642	F20005643	75	20
			F10392474	F10481824	80	20
			F20003970	F20003971	90	20
			F10536024	F10536014	100	20
MR 100 Z	K013	0033 - 9999	F20006019	F20006020	30	20
			F20006983	F20006984	40	20
			F20003760	F20003761	50	20
			F20003670	F20003671	60	20
MR 110 Z EVO	K017	0002 - 9999	F20016177	F20016178	30	20
			F20007410	F20007420	35	20
			F20007386	F20007387	40	20
			F20007380	F20007385	45	20
			F20006468	F20006469	50	20
			F20005644	F20005647	60	20
			F20003962	F20003963	70	20
			F20005654	F20005653	80	20

# ORIGINAL KLEEMANN PERFORATED PLATES



Machine type	Model	Series range	Perforated plate			
			Perforated plate type charging Part No.	Perforated plate type discharge Part No.	Average mesh size (in mm)	Thickness (in mm)
MR 110 Z EVO 2, MR 110 Zi EVO 2	K018, K019	0001 - 9999	2341990	2341996	30	20
			2342007	2342014	35	20
			2336412	2336433	40	20
			2341374	2341371	50	20
			2326015	2326026	60	20
			2326208	2326203	70	20
			2319902	2319871	80	20
MR 122 Z	K062	0066 - 9999	F20000349	F20000350	30	20
			F20006149	F20006150	40	20
			F20000337	F20000338	50	20
			F20001548	F20001550	60	20
			F20003073	F20003074	70	20
			2209429	2209428	80	20
			F20000128	F20000129	100	20
MR 130 Z	K024	0070 - 0299	F20000349	F20000350	30	20
			F20006149	F20006150	40	20
			F20000337	F20000338	50	20
			F20001548	F20001550	60	20
			F20003073	F20003074	70	20
			2209429	2209428	80	20
			F20000128	F20000129	100	20
MR 130 Z EVO	K024	0301 - 9999	F20000349	F20014479	30	20
			F20011776	F20011791	35	20
			F20006149	F20014745	40	20
			F20003946	F20011771	45	20
			F20000337	F20011011	50	20
			F20001548	F20011768	60	20
			F20003074	F20014486	70	20
			F20001922	F20011774	80	20
MR 130 Z EVO 2, MR 130 Zi EVO 2	K077, K078	0001 - 9999	2341618	2341639	30	20
			2301480	2298960	35	20
			2301591	2301597	40	20
			2301667	2301649	50	20
			2296285	2301725	60	20
			2296318	2301777	70	20
			2341807	2341836	80	20

# ORIGINAL KLEEMANN WIRE MESH

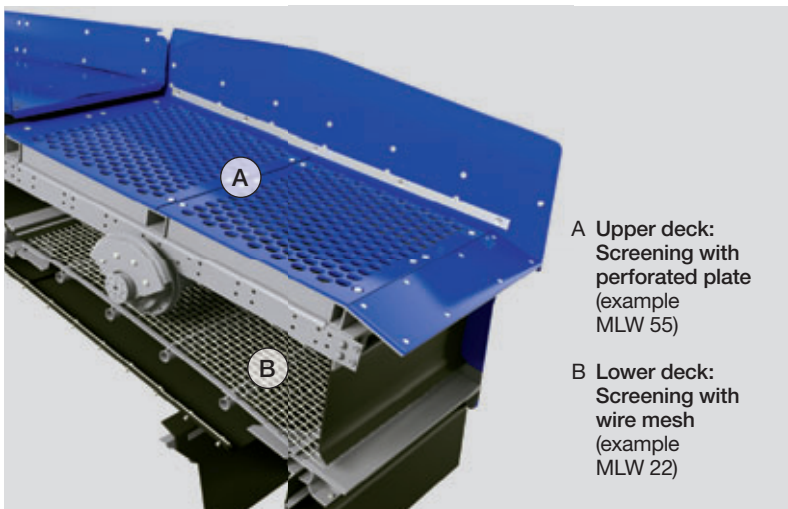


## Selection of mesh sizes for required particle sizes

The result of the screening is defined by numerous factors. The most important factors include the shape of the particles, the moisture content and the feed volume. The table provides general figures for the selection of the appropriate mesh size (MLW) for EU standard particle sizes.

The screen tilt ( $\alpha$ ) reduces the mesh size (MLW) to the projected dimension (MLWproj). For well-defined screening the screen opening should therefore always be a little larger than the particle size required.

During the configuration of a double-deck primary screen the ratio of “screening upper deck to screening lower deck” should not be less than 4:1 to prevent a reduction in the service life of the lower deck screen.



Mobile lower deck process screen (primary screen, prefilter)		Mobile classifying screen (secondary screen)		Mobile classifying screen MS series	
Separation (mm)	Recommended MLW (mm)	Separation (mm)	Recommended MLW (mm)	Separation (mm)	Recommended MLW (mm)
10	12	8	10	4	5
15	18	10	12	5	6.3
20	25	11	15	6	7.1
25	30	16	20	8	10
30	35	20	25	10	12.5
35	40	25	30	11	13.5
45	50	30	35	14	16
		35	40	16	18
		45	50	20	22.4
		56	65	22.4	25
		63	70	31.5	35.5
				45	50
				56	60

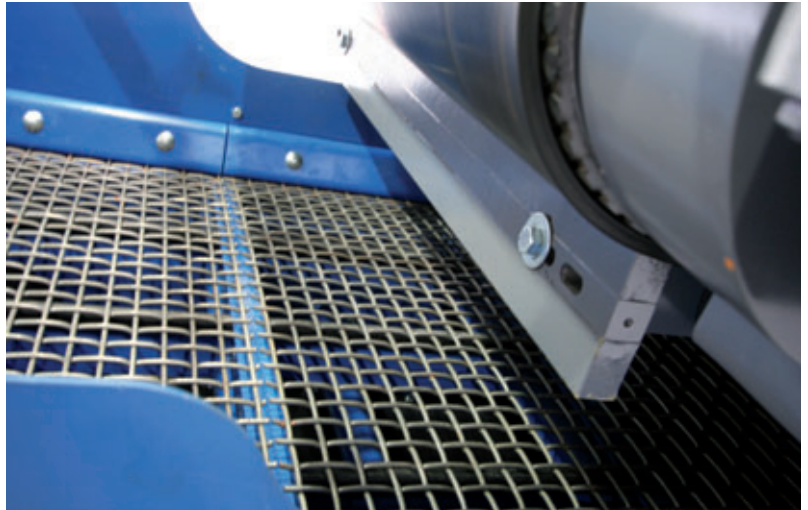


# ORIGINAL KLEEMANN WIRE MESH FOR PRESCREENING AND POSTSCREENING UNITS

## **Kleemann screens – efficient screening, rapid delivery**

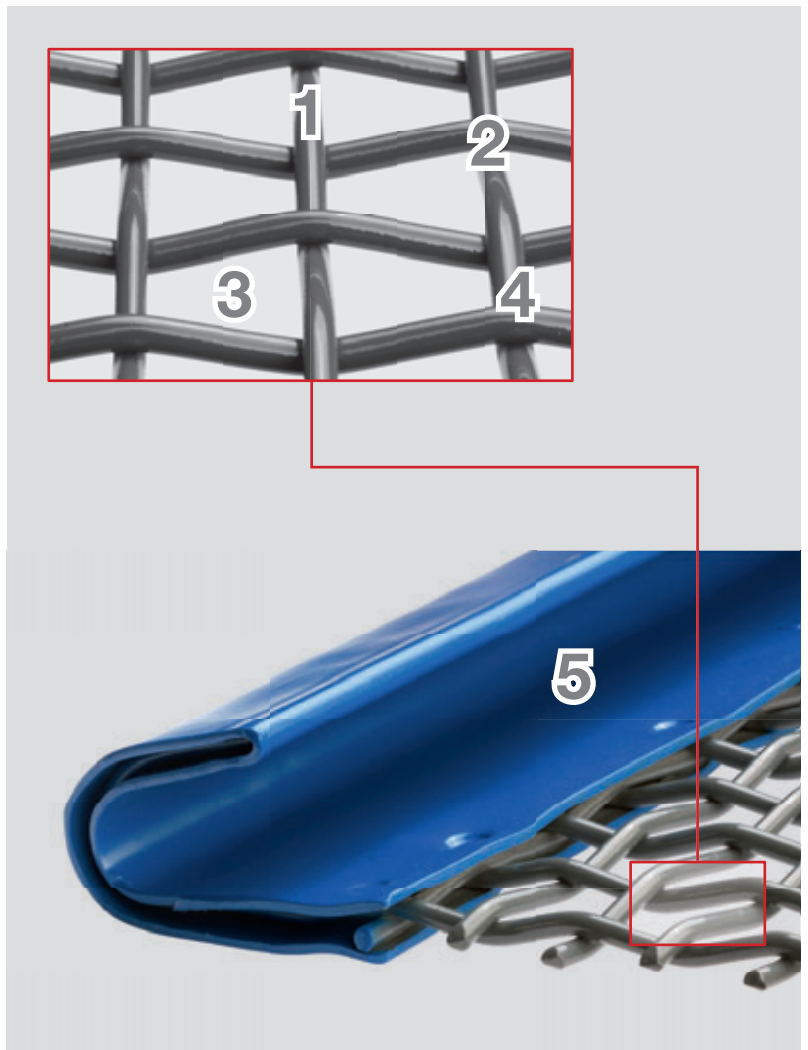
The screens are exposed to heavy loads in everyday use. In order to ensure that final particle size is screened consistently and reliably, Kleemann uses screens made from particularly wear-resistant spring steel wire or round wires.

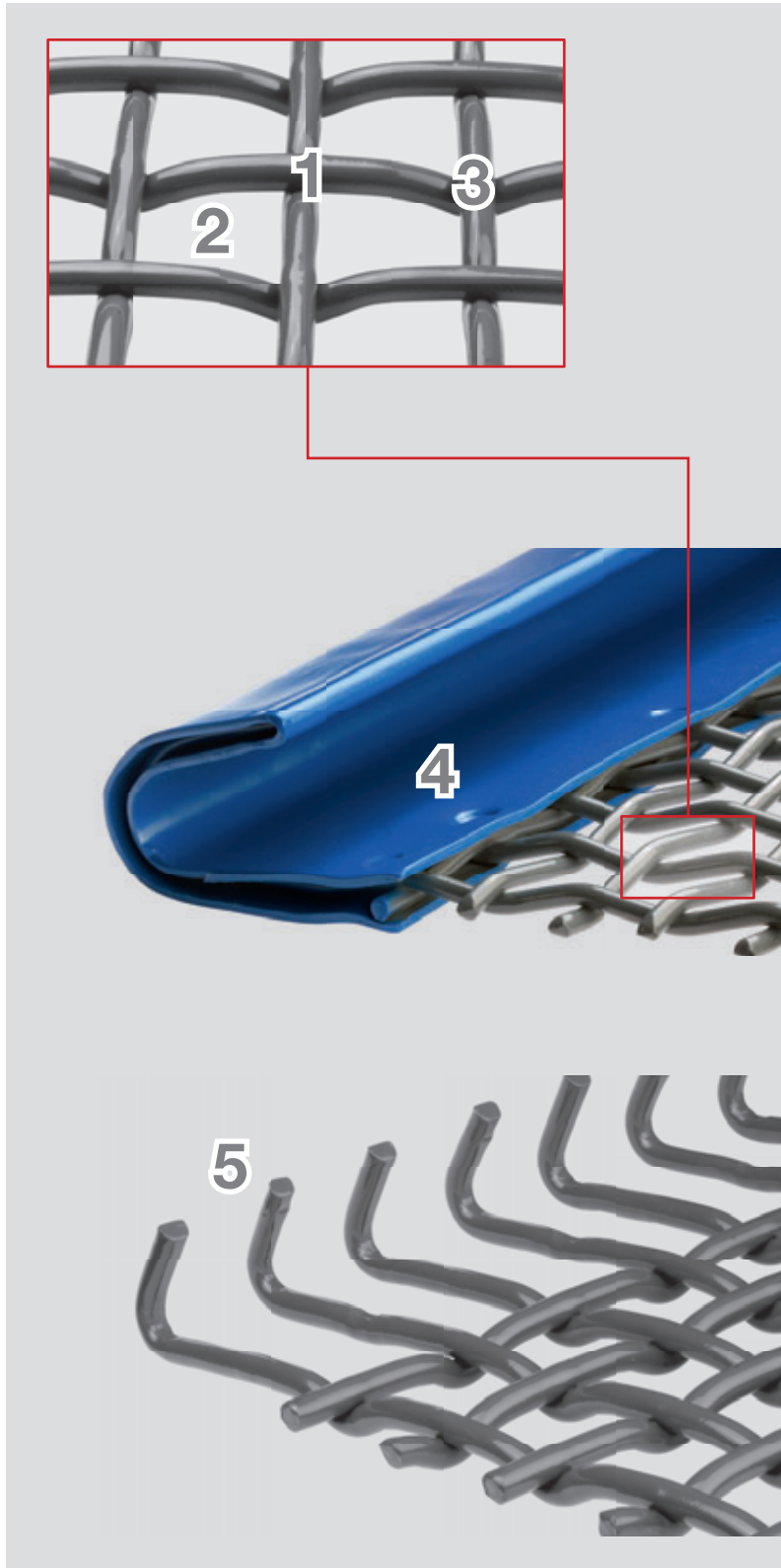
Due to the double anchoring at the cross-overs, these screens have an additional fixed cross-over point that prevents wire drift and ensures a constant mesh size.



### Screens made of spring steel wire

- 1** Screens made of spring steel wire are suitable for all screening machines.
- 2** Heavy-duty spring steel wire ensures highest elasticity at large vibratory stresses.
- 3** Large open screening area (MLW) is ideal for use with dry, damp and wet screen material and features an increased screening capacity.
- 4** Wires are deformed uniformly in warp and weft and keep their fixed wire position until final wear.
- 5** Clamp hooks for permanent fixing in the screen box provides ample support.





#### Screens made of round wires

- 1** High-strength round wires (wire gauge) provide maximum strength and can be used from a wire thickness of 8.0 mm.
- 2** Large open screen area (MLW) provides a uniform classification.
- 3** Warp and weft wires are anchored at their intersections and create a smooth screen surface.
- 4** Clamp hooks for permanent fixing in the screen box and clamp hook on very heavy screens ensure best resistance to breakage.
- 5** The mesh fabric is suitable for all screening machines and ensures long service life.

# ORIGINAL KLEEMANN WIRE MESH FOR LOWER DECK PROCESS SCREENS (PRESCREENS)

Machine type	Model	Series range	Screen*		
			Part No.	Average mesh size (in mm)	Wire Ø (in mm)
MC 110 Z	K004	0001 - 9999	M20001709	10	4
			2245022	12	4
			M20001344	15	4
			M20001398	18	4
			M20001376	20	5
			M20000800	25	6
			2217706	28	6
			M20001522	30	8
			M20000632	32	8
			M20000315	35	8
			M20000373	40	8
			M20000393	45	8
			2234812	50	10
			2234813	55	10
			F20003969	Blind rubber (UD)	
MC 110 Z EVO	K006	0001 - 9999	2298547	10	4
			2298549	12	4
			2298550	15	4
			2298551	18	4
			2298552	20	5
			2298554	25	6
			2298555	30	8
			2298556	35	8
			2298557	40	8
			2298558	45	8
			2298559	50	10
			2298560	55	10
			2318316	Blind rubber (UD)	
MC 120 Z	K007	0001 - 9999	M10017801	6	2.2
			M10010237	10	4
			2234790	12	4
			M10013885	15	4
			M10007592	16	4
			M10007005	18	4
			M10007905	20	4
			M10005821	22	6
			M10010004	25	6
			M20000033	30	8
			M10008122	32	8
			M10004739	35	8
			M10004738	40	8
			M10004738	50	10
			M20000339	60	10
			M20000040	65	10
			F10285544	Blind rubber (UD)	

\* All other sizes and mesh types are available on request. Please contact your local branch.

Machine type	Model	Series range	Screen*		
			Part No.	Average mesh size (in mm)	Wire Ø (in mm)
MR 100 Z	K013	0001 - 9999	M20000705	8	3
			M20001179	10	3
			M10021509	12	3
			M20000325	20	5
			M20000350	25	6
			M20001142	30	6
			2289634	32	6
			M10016665	35	8
			2289635	40	6
			F10410144	Blind rubber (UD)	
MR 110 Z EVO	K017	0002 - 9999	M20001709	10	4
			2245022	12	4
			M20001344	15	4
			M20001398	18	4
			M20001376	20	5
			M20000800	25	6
			2217706	28	6
			M20001522	30	8
			M20000632	32	8
			M20000315	35	8
			M20000373	40	8
			M20000393	45	8
			2234812	50	10
			2234813	55	10
			F20003969	Blind rubber (UD)	
MR 110 Z EVO 2, MR 110 Zi EVO 2	K018, K019	0001 - 9999	2335436	10	4
			2335438	12	4
			2335441	15	4
			2335547	18	5
			2335444	20	5
			2335446	25	6
			2335448	30	7
			2335450	32	8
			2335453	35	8
			2335455	40	8
			2335457	45	8
			2335459	50	8
			2335461	55	8
			2351223	Blind rubber (UD)	

\* All other sizes and mesh types are available on request. Please contact your local branch.

# ORIGINAL KLEEMANN WIRE MESH FOR LOWER DECK PROCESS SCREENS (PRESCREENS)



Close to  
our customers

Machine type	Model	Series range	Screen*		
			Part No.	Average mesh size (in mm)	Wire Ø (in mm)
MR 122 Z	K062	0001 - 9999	M10010237	10	4
			2234790	12	4
			M10013885	15	4
			M10007592	16	4
			M10007005	18	4
			M10007905	20	5
			M10010004	25	6
			M20000033	30	8
			M10008122	32	8
			M10004739	35	8
			M10004738	40	8
F10285544	Blind rubber (UD)				
MR 130 Z	K024	0001 - 0299	M10010237	10	4
			2234790	12	4
			M10013885	15	4
			M10007592	16	4
			M10007005	18	4
			M10007905	20	5
			M10010004	25	6
			M20000033	30	8
			M10008122	32	8
			M10004739	35	8
			M10004738	40	8
F10285544	Blind rubber (UD)				
MR 130 Z EVO	K024	0301 - 9999	2234790	12	4
			M10006015	14	2.8
			M10013885	15	4
			M10007592	16	4
			M10007005	18	4
			M10007905	20	5
			M10005821	22	6
			M10010004	25	6
			M20000033	30	8
			M10008122	32	8
			M10004739	35	8
			M10004738	40	8
			M10006092	45	8
			M10012445	50	10
M10016328	55	10			
F10285544	Blind rubber (UD)				
MR 130 Z EVO 2, MR 130 Zi EVO 2	K077, K078	0001 - 9999	2341115	10	4
			2298433	12	4
			2341117	15	4
			2341118	18	6
			2341119	20	6
			2298429	25	6
			2341120	30	8
			2341121	32	8
			2298424	35	8
			2341122	40	8
			2341123	45	8
			2341124	50	10
			2341126	55	10
			2350858	Blind rubber (UD)	

\* All other sizes and mesh types are available on request. Please contact your local branch.



# ORIGINAL KLEEMANN WIRE MESH FOR CLASSIFYING SCREENS (POSTSCREENS)



Machine type	Model	Series range	Screen					
			Part No.	Quantity	Part No.	Quantity	Average mesh size (in mm)	Wire Ø (in mm)
MR 100 Z	K013	0001 - 9999	M20001152	2			13	4
			2194538	2			18	4
			M20000146	2			20	5
			M10021718	2			25	6
			2234804	2			30	8
			M20000147	2			35	8
			M20000377	2			40	8
			M20000799	2			50	10
			M20000666	2			55	10
			M20000273	2			60	10
			M20000148	2			65	10
MC 110 Z	K004	0014 - 9999	M20001152	2			13	4
			2194538	2			18	4
			M20000146	2			20	5
			M10021718	2			25	6
			2234804	2			30	8
			M20000147	2			35	8
			M20000377	2			40	8
			M20000799	2			50	10
			M20000666	2			55	10
			M20000273	2			60	10
			M20000148	2			65	10
MR 110 Z EVO	K017	0002 - 9999	2234836	4	2234837	1	10	4
			2220302	4	2220303	1	11	4
			M20001524	4	M20001523	1	12	4
			M20001533	4	M20001534	1	15	4
			2220306	4	2220305	1	16	4
			2234861	4	2234862	1	20	5
			2292815	4	2292816	1	22	6
			M20001411	4	M20001410	1	25	6
			2234867	4	2234871	1	30	8
			2292821	4	2292822	1	32	6
			2234878	4	2234880	1	35	8
			M20001405	4	M20001404	1	40	8
			M20001640	4	M20001639	1	45	8
			M20001370	4	M20001369	1	50	10
			M20001571	4	M20001579	1	55	10
			M20001529	4	M20001530	1	60	10
			M20001529	4	M20001530	1	65	10
			M20001678	4	M20001679	1	70	10
			2202449	4	2202450	1	80	10
			2200097	4	2200098	1	90	10

# ORIGINAL KLEEMANN WIRE MESH FOR CLASSIFYING SCREENS (POSTSCREENS)

Machine type	Model	Series range	Screen					
			Part No.	Quantity	Part No.	Quantity	Average mesh size (in mm)	Wire Ø (in mm)
MR 110 Z EVO 2, MR 110 Zi EVO 2	K018, K019	0001 - 9999	2234836	4	2234837	1	10	4
			2220302	4	2220303	1	11	4
			M20001524	4	M20001523	1	12	4
			M20001533	4	M20001534	1	15	4
			2220306	4	2220305	1	16	4
			2234861	4	2234862	1	20	5
			2292815	4	2292816	1	22	6
			M20001411	4	M20001410	1	25	6
			2234867	4	2234871	1	30	8
			2292821	4	2292822	1	32	6
			2234878	4	2234880	1	35	8
			M20001405	4	M20001404	1	40	8
			M20001640	4	M20001639	1	45	8
			M20001370	4	M20001369	1	50	10
			M20001571	4	M20001579	1	55	10
			M20001529	4	M20001530	1	60	10
			M20001529	4	M20001530	1	65	10
			M20001678	4	M20001679	1	70	10
			2202449	4	2202450	1	80	10
			2200097	4	2200098	1	90	10
MR 130 Z	K024	0001 - 0299	M20000770	2			12	4
			M10020584	2			16	4
			M10019744	2			18	5
			M10016387	2			20	6
			M20000089	2			28	6
			M20000082	2			30	6
			M10015455	2			35	8
			M10016477	2			40	8
			M10016780	2			45	8
			M10017445	2			50	10



Close to  
our customers

Machine type	Model	Series range	Screen					
			Part No.	Quantity	Part No.	Quantity	Average mesh size (in mm)	Wire Ø (in mm)
MR 130 Z EVO	K024	0301 - 9999	2208580	4	2208582	1	10	4
			2199916	4	2199927	1	11	4
			2234822	4	2234825	1	12	4
			2215643	4	2215644	1	13	4
			2212424	4	2212430	1	15	4
			M10006857	4	M20001562	1	16	4
			2193517	4	2193527	1	18	4
			M10003491	4	M20001561	1	20	5
			M10004471	4	2215293	1	22	5
			M20001551	4	M20001552	1	25	6
			M20001713	4	M20001714	1	28	6
			2234476	4	2234480	1	30	7
			M10003179	4	M20001254	1	35	8
			M10005149	4	M20000795	1	40	8
			M20001595	4	M20001596	1	45	8
			M20001298	4	M20001558	1	50	10
			M20001553	4	M20001554	1	55	10
			M10010425	4	M20001560	1	65	10
			M20001752	4	M20001753	1	70	10
			MR 130 Z EVO 2, MR 130 Zi EVO 2	K077, K078	0001 - 9999	2208580	4	2208582
2199916	4	2199927				1	11	4
2234822	4	2234825				1	12	4
2215643	4	2215644				1	13	4
2212424	4	2212430				1	15	4
M10006857	4	M20001562				1	16	4
2193517	4	2193527				1	18	4
M10003491	4	M20001561				1	20	5
M10004471	4	M2215293				1	22	5
M20001551	4	M20001552				1	25	6
M20001713	4	M20001714				1	28	6
2234476	4	2234480				1	30	7
M10003179	4	M20001254				1	35	8
M10005149	4	M20000795				1	40	8
M20001595	4	M20001596				1	45	8
M20001298	4	M20001558				1	50	10
M20001553	4	M20001554				1	55	10
M10010425	4	M20001560				1	65	10
M20001752	4	M20001753				1	70	10
2202978	4	2202979				1	80	10
2192479	4	2192481	1	90	10			

# ORIGINAL KLEEMANN WIRE MESH FOR MS SERIES

Machine type	Model	Series range	Deck	Part No.	Quantity	Part No.	Quantity	Average mesh size (in mm)	Wire Ø (in mm)
MS12 Z	K067	0001 - 9999	Upper deck	2227279	1			30	6
				2227283	1			40	8
				2227285	1			45	8
				2227287	1			50	10
				M20001613	1			55	10
				2227299	1			60	10
				2227301	1			65	10
				2227303	1			70	10
				2227308	1			80	10
				2227310	1			90	10
			Lower deck	2313337	1	2313345	1	4	2
				2227324	1	2227344	1	7	3
				2216654	1	2216655	1	8	3
				2227329	1	2227347	1	9	3
				2227330	1	2227352	1	10	4
				2227332	1	2227353	1	11	4
				2227335	1	2227354	1	12	4
				2228359	1	2227361	1	20	4
				2313339	1	2313343	1	25	5
				2227339	1	2227363	1	30	6
2227341	1	2227367	1	40	8				
2227342	1	2227368	1	50	8				
MS 13 Z	K066	0001 - 9999	Upper deck	2227785	3			10	4
				M20001622	3			11	4
				2227768	3			12	4
				2227771	3			16	4
				2219139	3			18	5
				2227772	3			20	5
				2227774	3			25	5
				2296423	3			30	6
				2296425	3			32	6
				M20001582	3			40	8
				2227777	3			45	8
				M20001386	3			50	8
				M20001627	3			55	8
				M20001605	3			70	10
			2227781	3			80	10	
			2227783	3			90	10	
			Lower deck	2228390	2			7	3
				2228391	2			8	3
				2228393	2			9	3
				2199248	2			10	3
				2228394	2			11	3
				M20001567	2			12	3
				M20001473	2			20	5
				M20001603	2			25	5
M20001599	2				28	6			
2228395	2				30	6			
M20001703	2			40	8				
2235994	2			45	8				
2228397	2			50	8				



Close to  
our customers

Machine type	Model	Series range	Deck	Part No.	Quantity	Part No.	Quantity	Average mesh size (in mm)	Wire Ø (in mm)
MS 14 Z	K068	0001 - 9999	Upper deck	2227785	2	2227786	1	10	4
				M20001622	2	M20001621	1	11	4
				2227768	2	2227787	1	12	4
				2227771	2	2227789	1	16	4
				2219139	2	2219140	1	18	5
				2227772	2	2227790	1	20	5
				2227774	2	2227793	1	25	5
				2296423	2	2291875	1	30	6
				M20001582	2	M20001610	1	40	8
				2227777	2	2227797	1	45	8
				M20001386	2	2223200	1	50	8
				M20001627	2	2227799	1	55	8
				M20001605	2	M20001604	1	70	10
				2227781	2	2227809	1	80	10
			2227783	2	2227810	1	90	10	
			Lower deck	2227633	1			7	3
				2227634	1			8	3
				2227635	1			9	3
				2227636	1			10	4
				2227637	1			11	4
				2227638	1			12	4
				M20001606	1			20	4
				2227626	1			25	5
				2227627	1			30	6
				2227629	1			40	8
				2227630	1			45	8
MS 15	K047	0001 - 9999		Upper deck	M20001306	4			4
			M20000863		4			6.5	2
			M10022614		4			8	3
			M10023328		4			9	3
			M20001496		4			10	3
			M20001328		4			11	4
			M20000872		4			12	4
			M20000621		4			13	4
			M20001027		4			14	4
			M20001735		4			15	4
			M20000833		4			16	4
			M20001327		4			18	4
			2234507		4			20	5
			M20000958		4			25	5
			2234516		4			30	8
			M20001727		4			35	8
			M20000625		4			40	8
			M20000642		4			45	8
			M20000686		4			50	10
			M20000627		4			55	10
			M20000688		4			65	10
			M20001400		4			70	10
2218851	4			80	10				
2202934	4			90	10				



# ORIGINAL KLEEMANN WIRE MESH FOR MS SERIES

Machine type	Model	Series range	Deck	Part No.	Quantity	Part No.	Quantity	Average mesh size (in mm)	Wire Ø (in mm)
MS 15	K047	0001 - 9999	Lower deck	2212560	3			7	3
				M10025548	3			8	3.2
				2210653	3			9	3
				M20001734	3			10	3
				2228347	3			11	3
				2197550	3			12	3
				2198322	3			15	4
				M20001499	3			18	4
				M20001453	3			20	5
				M20001563	3			25	5
				2244893	3			28	6
				M20001564	3			30	6
				2231937	3			32	6
				M20001449	3			40	8
				M20001760	3			50	10
				M20001719	3			55	10
				2246161	3			60	10
M20001720	3			65	10				
2292450	3			70	70				
MS 16 D MS 16 Z	K049 K048	0001 - 9999	Upper deck	M20000862	1	M20000863	3	6.5	2
				2195300	1	M10022614	3	8	3
				2195302	1	M10023328	3	9	3
				M20001494	1	M20001496	3	10	3
				2195323	1	M20001328	3	11	4
				2195240	1	M20000872	3	12	4
				M20000622	1	M20000621	3	13	4
				2195335	1	M20001027	3	14	4
				2195338	1	M20001735	3	15	4
				2195342	1	M20000833	3	16	4
				2195345	1	M20001327	3	18	4
				2234505	1	2234507	3	20	5
				M20001769	1	M20000958	3	25	5
				2234515	1	2234516	3	30	8
				M20001726	1	M20001727	3	35	8
				M20000626	1	M20000625	3	40	8
				M20000643	1	M20000642	3	45	8
				M20000687	1	M20000686	3	50	10
				M20000628	1	M20000627	3	55	10
				M20000689	1	M20000688	3	65	10
M20001399	1	M20001400	3	70	10				
2218853	1	2218851	3	80	10				



Close to our customers

Machine type	Model	Series range	Deck	Part No.	Quantity	Part No.	Quantity	Average mesh size (in mm)	Wire Ø (in mm)
MS 16 D MS 16 Z	K049 K048	0001 - 9999	Middle deck	M20000862	1	M20000863	3	6.5	2
				2195300	1	M10022614	3	8	3
				2195302	1	M10023328	3	9	3
				M20001494	1	M20001496	3	10	3
				2195323	1	M20001328	3	11	4
				2195240	1	M20000872	3	12	4
				M20000622	1	M20000621	3	13	4
				2195335	1	M20001027	3	14	4
				2195338	1	M20001735	3	15	4
				2195342	1	M20000833	3	16	4
				2195345	1	M20001327	3	18	4
				2234505	1	2234507	3	20	5
				M20001769	1	M20000958	3	25	5
				2234515	1	2234516	3	30	8
				M20001726	1	M20001727	3	35	8
				M20000626	1	M20000625	3	40	8
				M20000643	1	M20000642	3	45	8
				M20000687	1	M20000686	3	50	10
				M20000628	1	M20000627	3	55	10
				M20000689	1	M20000688	3	65	10
			M20001399	1	M20001400	3	70	10	
			2218853	1	2218851	3	80	10	
			Lower deck	M20001308	2		5	2	
				2252538	2		7	2	
				M20000761	2		8	3	
				2202935	2		9	3	
				2234498	2		10	4	
				M20001738	2		11	3	
				2234501	2		12	4	
				2201658	2		15	4	
				2198623	2		19	4	
				M20001081	2		20	5	
				M20000693	2		25	5	
M20001352	2			30	6				
M20000832	2			40	8				
2226556	2		45	8					
M20000817	2		50	8					

# ORIGINAL KLEEMANN WIRE MESH FOR MS SERIES

Machine type	Model	Series range	Deck	Part No.	Quantity	Part No.	Quantity	Average mesh size (in mm)	Wire Ø (in mm)
MS 19 D MS 19 Z	K055 K054	0001 - 9999	Upper deck	M20001306	5			4	1.6
				M20000863	5			6.5	2
				M10022614	5			8	3
				M10023328	5			9	3
				M20001496	5			10	3
				M20001328	5			11	4
				M20000872	5			12	4
				M20000621	5			13	4
				M20001027	5			14	4
				M20001735	5			15	4
				M20000833	5			16	4
				M20001327	5			18	4
				2234507	5			20	5
				M20000958	5			25	5
				2234516	5			30	8
				M20001727	5			35	8
				M20000625	5			40	8
				M20000642	5			45	8
				M20000686	5			50	10
				M20000627	5			55	10
				M20000688	5			65	10
			M20001400	5			70	10	
			2218851	5			80	10	
			2202934	5			90	10	
			Middle deck	M20001306	5			4	1.6
				M20000863	5			6.5	2
				M10022614	5			8	3
				M10023328	5			9	3
				M20001496	5			10	3
				M20001328	5			11	4
				M20000872	5			12	4
				M20000621	5			13	4
				M20001027	5			14	4
				M20001735	5			15	4
				M20000833	5			16	4
				M20001327	5			18	4
				2234507	5			20	5
				M20000958	5			25	5
				2234516	5			30	8
				M20001727	5			35	8
				M20000625	5			40	8
				M20000642	5			45	8
M20000686	5				50	10			
M20000627	5				55	10			
M20000688	5				65	10			
M20001400	5			70	10				
2218851	5			80	10				
2202934	5			90	10				

Machine type	Model	Series range	Deck	Part No.	Quantity	Part No.	Quantity	Average mesh size (in mm)	Wire Ø (in mm)
MS 19 D MS 19 Z	K055 K054	0001 - 9999	Lower deck	M20001308	3			5	2
				2252538	3			7	2
				M20000761	3			8	3
				2202935	3			9	3
				2234498	3			10	4
				M20001738	3			11	3
				2234501	3			12	4
				2201658	3			15	4
				2198623	3			19	4
				M20001081	3			20	5
				M20000693	3			25	5
				M20001352	3			30	6
				M20000832	3			40	8
				2226556	3			45	8
M20000817	3			50	8				
MS 21 Z	K076	0001 - 9999	Upper deck	2298699	5			50	10
				2298700	5			55	10
				2298701	5			60	10
				2298703	5			65	10
				2298704	5			70	10
				2298705	5			75	10
				2298706	5			80	10
				2298709	5			90	10
				2298710	5			100	10
			Lower deck	2298740	3			10	4
				2298741	3			11	4
				2298742	3			12	4
				2298743	3			15	4
				2298744	3			20	5
				2298745	3			25	6
				2298746	3			30	6
				2298747	3			35	8
				2298748	3			40	8
				2298749	3			50	8

# ORIGINAL KLEEMANN WATER SPRAYING

The service package for maintenance and repair of water spraying on stationary and mobile crushing plants ensures a smooth flow of crushing work and prevents long downtimes of the machines during damages to individual components.

The service package for the water spraying is available with part No. F10616409.



**1** The water spraying system provides sufficient moisture and optimum dust suppression.

**2** The separately supplied ball valves are flexible and with their good dosing characteristic achieve low consumption.

**3** The spraying units can be installed, as needed, either on the crusher inlet cover or on the lateral discharge as well as the main discharge.

**4** The service package contains all parts required for repair or retrofitting.

**5** The maintenance and repair service package is suitable for water spraying on stationary and mobile crusher systems.







## ORIGINAL KLEEMANN EMERGENCY KITS

Minor faults in the electrical system, such as burned-out fuses, tripped relays, damaged contacts or switches can interrupt operations on the construction site for long periods. With the emergency kits for machine operators, which have been put together specially for every machine type, any such faults can be rectified quickly and cost-effectively.





Machine type	Model	Series range	Version	Part No.
MC 100	K001	0001 - 9999	EU	F10616869
MC 110 R	K003	0001 - 9999	EU	F10617370
			US	F10617789
MC 110 R EVO	K005	0001 - 9999	EU	2328285
			US	2328282
MC 110 Z	K004	0001 - 9999	EU	F10617370
			US	F10617789
MC 110 Z EVO	K006	0001 - 9999	EU	2328285
			US	2328282
MC 120 Z	K007	0001 - 9999	EU	F10616879
MC 125	K008	0005 - 9999	EU	F10617369
MCO 9	K072	0001 - 9999	EU	2392714
MCO 9i	K073	0001 - 9999	US	2392715
MCO 9 S	K074	0001 - 9999	EU	2393158
MCO 9 Si	K075	0001 - 9999	US	2393159
MR 100 R	K012	0001 - 9999	EU	F10617389
MR 100 Z	K013	0001 - 9999	EU	F10617389
MR 110 R EVO	K016	0002 - 9999	EU	F60000092
			US	F60000093
MR 110 Z EVO	K017	0002 - 9999	EU	F60000092
			US	F60000093
MR 110 Z EVO 2	K018	0001 - 9999	EU	2385137
			US	2385140
MR 110 Zi EVO 2	K019	0001 - 9999	EU	2385137
			US	2385140
MR 130 R, MR 130 R EVO	K023	0001 - 0199	EU	F10616479
		0200 - 9999	EU	F60000092
			US	F60000093
MR 130 Z, MR 130 Z EVO	K024	0001 - 0299	EU	F10616479
		0300 - 9999	EU	F60000092
			US	F60000093
MR 130 Z EVO 2	K077	0001 - 9999	EU	2385137
			US	2385140
MR 130 Zi EVO 2	K078	0001 - 9999	EU	2385137
			US	2385140
MS 20 D	K057	0001 - 9999	EU	F10617759
MS 20 Z-AD	K056	0001 - 9999	EU	F10617759

Due to possible technical changes, please always compare with the information in the instruction manual.

# ORIGINAL KLEEMANN FILTER ELEMENTS AND SERVICE PACKAGES FOR FILTER ELEMENTS



Close to  
our customers

The quality, together with the optimised fuels and lubricants, which are perfectly matched to the filter systems, guarantee the necessary system purity, and consequently reduce operating costs to the minimum.

The table below gives you an overview of the contents in the different Kleemann service packages.

Original Wirtgen Group filter elements, with regular maintenance, form the basis for enormous productivity and guarantee the long service life of all components.

The service package contains all required filter components and seals, ideally adjusted to the maintenance interval and the respective machine.

Observe the respective emission standard when choosing the service package for motors.



- A Filter elements
- B Service package hydraulics 1000 h (example F10615369)
- C Service package engine 500 h (example 2270763)

# ORIGINAL KLEEMANN SERVICE PACKAGES FOR FILTER ELEMENTS FOR HYDRAULIC SYSTEMS



Machine type	Model	Series range	First service	Replacement interval	
			500 h	1000 h, 2000 h, 3000 h ...	2000 h
MC 100 R	K001	0001 - 9999	F10615349	F10615349	
MC 110 R	K003	0001 - 0199	F10615369	F10615369	
		0200 - 9999	F10631439	F10631439	
MC 110 R EVO	K005	0001 - 9999	2330204	2330206	
MC 110 Ri EVO	K014	0001 - 9999	2330204	2330206	
MC 110 Z	K004	0001 - 0199	F10615369	F10615369	
		0200 - 9999	F10631439	F10631439	
MC 110 Z EVO	K006	0001 - 9999	2330204	2330206	
MC 110 Zi EVO	K015	0001 - 9999	2330204	2330206	
MC 120 Z	K007	0001 - 9999	F10615349	F10615349	
MC 125	K008	0001 - 9999	F10615349	F10615349	
MC 140	K061	0001 - 9999	F10615349	F10615349	
MCO 9	K072	0001 - 9999	2390020	2393114	2390020
MCO 9i	K073	0001 - 9999	2390020	2393114	2390020
MCO 9 S	K074	0001 - 9999	2390020	2393114	2390020
MCO 9 Si	K075	0001 - 9999	2390020	2393114	2390020
MR 100 R	K012	0001 - 9999	F10615379	F10615379	
MR 100 Z	K013	0001 - 9999	F10615379	F10615379	
MR 110 R	K016	0002 - 9999	F10625559	F10625559	
MR 110 Z	K017	0002 - 9999	F10625559	F10625559	
MR 110 Z EVO 2	K018	0001 - 9999	2378001	2378001	
MR 110 Zi EVO 2	K019	0001 - 9999	2378001	2378001	
MR 122 Z	K062	0001 - 9999	F10615349	F10615349	
MR 130 R EVO	K023	0200 - 9999	F10625559	F10625559	
MR 130 R V3	K023	0001 - 0199 (hydraulic drive)	F10615389	F10615389	
		0001 - 0199 (direct drive)	F10615349	F10615349	
MR 130 Z V3	K024	0001 - 0299 (hydraulic drive)	F10615389	F10615389	
		0001 - 0299 (direct drive)	F10615349	F10615349	
MR 130 Z EVO	K024	0300 - 9999	F10625559	F10625559	
MR 130 Z EVO 2	K077	0001 - 9999	2378001	2378001	
MR 130 Zi EVO 2	K078	0001 - 9999	2378001	2378001	
MR 150 Z	K063	0001 - 9999	F10615349	F10615349	
MR 170	K033	0001 - 9999	F10615349	F10615349	
MS 12	K067	0001 - 9999	2272932	2272932	
MS 13	K066	0001 - 9999	2272932	2272932	
MS 14	K068	0001 - 9999	2272932	2272932	
MS 15	K047	0001 - 9999	2272932	2272932	
MS 16 D	K049	0001 - 9999	2272932	2272932	
MS 16 Z	K048	0001 - 9999	2272932	2272932	
MS 19 D	K055	0001 - 9999	2272932	2272932	
MS 19 Z	K054	0001 - 9999	2272932	2272932	
MS 21 Z	K076	0001 - 9999	2x 2381036	2x 2381036	

Due to possible technical changes, please always compare with the information in the instruction manual.



# ORIGINAL KLEEMANN FILTER ELEMENTS FOR HYDRAULIC SYSTEMS

Start kit, 2000 h Part No.	Content of kit Part No.	Kit 1000 h Part No.	Content of kit Part No.	Quantity	Designation
F10615349	M10013434	F10615349	M10013434	2	Suction filter
	M10023066		M10023066	2	O-ring
	M10010834		M10010834	1	Return line filter
	M10023166		M10023166	1	O-ring
	M10010833		M10010833	1	Tank ventilation filter
F10615359	M10013434	F10615359	M10013434	2	Suction filter
	M10023066		M10023066	2	O-ring
	M10010834		M10010834	1	Return line filter
	M10023166		M10023166	1	O-ring
	M10010833		M10010833	1	Tank ventilation filter
	M10015766		M10015766	1	Circulating oil filter
F10615369	M10013434	F10615369	M10013434	2	Suction filter
	M10023066		M10023066	2	O-ring
	M10010834		M10010834	1	Return line filter
	M10023166		M10023166	1	O-ring
	M10010833		M10010833	1	Tank ventilation filter
	M10017619		M10017619	1	Circulating oil filter
2330204	2298731	2330206	2298731	1	Return flow filter insert
	2394264		2394264	1	O-ring
	2322467		2322467	1	Cartridge for oil filter – fluid coupling
	2329740		2329740	1	Tank ventilation filter
	M20001249			1	Suction filter element
	M20000893			1	USIT-Ring
	M20000892			1	O-ring
2378001	M20000892	2378001	M20000892	1	O-ring
	2298731		2298731	1	Return flow filter insert
	2328544		2328544	1	Sealing kit
	2377920		2377920	1	Fluid coupling filter cartridge
	2329740		2329740	1	Tank ventilation filter
	M20001249		M20001249	1	Suction filter element
	M20000893		M20000893	1	USIT-Ring
	2338455		2338455	1	Filter element
	2338451		2338451	1	Filter element

Due to possible technical changes, please always compare with the information in the instruction manual.

Start kit, 2000 h Part No.	Content of kit Part No.	Kit 1000 h Part No.	Content of kit Part No.	Quantity	Designation
2330020	2298731	2393114	2298731	1	Return flow filter insert
	2394264		2394264	1	O-ring
	2329740		2329740	3	Tank ventilation filter
	2314926		2314926	1	Pressure filter cartridge
	2322467		2322467	1	Cartridge for oil filter – fluid coupling
	2343653		2343653	1	Filter element
	M10021744		M10021744	1	Filter
	M20001249			1	Suction filter element
	M20000893			1	USIT-Ring
	M20000892			1	O-ring
2330204	2298731	2330206	2298731	1	Return flow filter insert
	2394264		2394264	1	O-ring
	2322467		2322467	1	Cartridge for oil filter – fluid coupling
	2329740		2329740	1	Tank ventilation filter
	M20001249			1	Suction filter element
	M20000893			1	USIT-Ring
	M20000892			1	O-ring
2272932	M10022051	2272932	M10022051	1	Return line filter element
	M10020528		M10020528	1	Suction filter element 2"
	M10020520		M10020520	1	Suction filter element 1 1/2"
2381036	M10022051	2381036	M10022051	2	Return line filter element
	M10020528		M10020528	1	Suction filter element 2"
	M10020520		M10020520	2	Suction filter element 1 1/2"

Due to possible technical changes, please always compare with the information in the instruction manual.

# ORIGINAL KLEEMANN SERVICE PACKAGES FOR FILTER ELEMENTS ENGINE ACCORDING TO EXHAUST GAS STANDARDS

## Exhaust gas standard stage 2/stage 3A

Machine type	Model	Series range	Service package	First service 500 h	Replacement interval			
					800 h, 1200 h, 1600 h ...	1000 h, 1500 h, 2000 h ...	2400 h, 4400 h, 6400 h ...	2500 h, 4500 h, 6500 h ...
MC 100 R	K001	0001 - 0222	Engine Scania	2270754	2270747		2270754	
		0223 - 9999		2270762		2270763		2270762
MC 100 R EVO	K002	0002 - 9999	Engine Deutz	2396001		2396000		2396001
MC 110 R	K003	0001 - 0216	Engine Scania	2270754	2270747		2270754	
		0217 - 9999		2270764		2270763		2270764
MC 110 Z	K004	0001 - 0254	Engine Scania	2270754	2270747		2270754	
		0255 - 9999		2270764		2270763		2270764
MC 110 R EVO	K005	0001 - 9999	Engine Scania	2270762		2270763		2270762
MC 110 Z EVO	K006	0001 - 9999	Engine Scania	2270762		2270763		2270762
MC 120 Z	K007	0001 - 0226	Engine Scania	2270756	2270755		2270756	
		0227 - 9999		2270764		2270763		2270764
MC 125	K008	0001 - 9999	Engine Scania	2270756	2270755		2270756	
MC 140	K061	0001 - 0199	Engine Scania	2270760	2270758		2270760	
		0200 - 9999		2362836		2362830		2362836
MR 100 R	K012	0001 - 9999	Engine Scania	2270756	2270755		2270756	
MR 100 Z	K013	0001 - 9999	Engine Scania	2270756	2270755		2270756	
MR 110 R EVO	K016	0001 - 0004	Engine Scania	2270756	2270755		2270756	
		0005 - 9999		2270764		2270763		2270764
MR 110 Z EVO	K017	0051 - 9999	Engine Scania	2270756	2270755		2270756	
		0052 - 9999		2270764		2270763		2270764
MR 110 Z EVO 2	K018	0001 - 9999	Engine Scania	2270764		2270763		2270764
MR 122 Z	K062	0001 - 0218	Engine Scania	2270756	2270755		2270756	
		0219 - 9999		2270764		2270763		2270764
MR 130 R EVO	K023	0200 - 0200	Engine Scania	2270756	2270755		2270756	
		0201 - 9999		2270764		2270763		2270764
MR 130 R V3	K023	0001 - 0199	Engine Scania	2270756	2270755		2270756	
MR 130 Z V3	K024	0001 - 0299	Engine Scania	2270756	2270755		2270756	
MR 130 Z EVO	K024	0301 - 0356	Engine Scania	2270756	2270755		2270756	
		0357 - 9999		2270764		2270763		2270764
MR 130 Z EVO 2	K077	0001 - 9999	Engine Scania	2270764		2270763		2270764
MR 150 Z	K063	0001 - 9999	Engine Scania	2270760	2270758		2270760	
MR 170	K033	0001 - 9999	Engine Scania	2270760	2270758		2270760	
MCO 9	K072	0001 - 9999	Engine Scania	2270762		2270763		2270762
MCO 9 S	K074	0001 - 9999	Engine Scania	2270762		2270763		2270762
MCO 13	K042	0001 - 0200	Engine Scania	2270766		2270765		2270766
		0201 - 9999		2362836		2362830		2362836

Due to possible technical changes, please always compare with the information in the instruction manual.

### Exhaust gas standard stage 4F

Machine type	Model	Series range	Service package	First service 500 h	Replacement interval	
					1000 h, 1500 h, 2000 h ...	2500 h, 4500 h, 6500 h ...
MC 110 Ri EVO	K014	0001 - 9999	Engine Scania	2382644	2379004	2382644
MC 110 Zi EVO	K015	0001 - 9999	Engine Scania	2382644	2379004	2382644
MR 110 Zi EVO 2	K019	0001 - 9999	Engine Scania	2382642	2379004	2382642
MR 130 Zi EVO 2	K078	0001 - 9999	Engine Scania	2382642	2379004	2382642
MCO 9i	K073	0001 - 9999	Engine Scania	2382644	2379004	2382644
MCO 9 Si	K075	0001 - 9999	Engine Scania	2382644	2379004	2382644

### Exhaust gas standard LRC

Machine type	Model	Series range	Service package	First service 500 h	Replacement interval	
					1000 h, 1500 h, 2000 h ...	2500 h, 4500 h, 6500 h ...
MC 100 R	K001	0223 - 9999	Engine Scania	2270762	2270763	2270762
MC 110 R	K003	0217 - 9999	Engine Scania	2270764	2270763	2270764
MC 110 Z	K004	0255 - 9999	Engine Scania	2270764	2270763	2270764
MC 110 R EVO	K005	0001 - 0030	Engine Scania	2270762	2270763	2270762
		0031 - 9999		2403247	2403244	2403247
MC 110 Z EVO	K006	0001 - 0056	Engine Scania	2270762	2270763	2270762
		0057 - 9999		2403247	2403244	2403247
MC 120 Z	K007	0227 - 0250	Engine Scania	2270764	2270763	2270764
		0251 - 9999		2403248	2403244	2403248
MC 140 Z	K061	0200 - 9999	Engine Scania	2362836	2362830	2362836
MR 110 R EVO	K016	0005 - 9999	Engine Scania	2270764	2270763	2270764
MR 110 Z EVO	K017	0052 - 9999	Engine Scania	2270764	2270763	2270764
MR 110 Z EVO 2	K018	0001 - 0018	Engine Scania	2270764	2270763	2270764
		0019 - 9999*		2403248	2403244	2403248
MR 122 Z	K062	0219 - 0239	Engine Scania	2270764	2270763	2270764
		0240 - 9999		2403248	2403244	2403248
MR 130 R EVO	K023	0201 - 9999	Engine Scania	2270764	2270763	2270764
MR 130 Z EVO	K024	0357 - 9999	Engine Scania	2270764	2270763	2270764
MR 130 Z EVO 2	K077	0001 - 0018	Engine Scania	2270764	2270763	2270764
		0019 - 9999		2403248	2403244	2403248
MCO 9	K072	0001 - 9999	Engine Scania	2270762	2270763	2270762
		0004 - 9999		2403247	2403244	2403247
MCO 9 S	K074	0001 - 9999	Engine Scania	2270762	2270763	2270762
		0003 - 9999		2403247	2403244	2403247
MCO 13	K042	0201 - 0999	Engine Scania	2362836	23628030	2362836

\*with the k018 serial numbers: 0015, 0013, 0014, 0012, 0010 the filter kit 2403244/2403248 is utilised.

# ORIGINAL KLEEMANN SERVICE PACKAGES FOR FILTER ELEMENTS ENGINE ACCORDING TO EXHAUST GAS STANDARDS



## Exhaust gas standard Tier 3

Machine type	Model	Series range	Service package	First service 250 h	Replacement interval	
					500 h, 750 h, 1000 h ...	3500 h, 6500 h, 9500 h ...
MC 110 R	K003	0001 - 9999	Engine CAT	2270779	2270778	2270779
MC 110 Z	K004	0001 - 9999	Engine CAT	2270779	2270778	2270779
MC 120 Z	K007	0001 - 9999	Engine CAT	2270782	2270780	2270782
MR 110 R EVO	K016	0001 - 9999	Engine CAT	2270782	2270780	2270782
MR 110 Z EVO	K017	0001 - 9999	Engine CAT	2270782	2270780	2270782
MR 122 Z	K062	0001 - 9999	Engine CAT	2270772	2270771	2270772
MR 130 R EVO	K023	0200 - 9999	Engine CAT	2270772	2270771	2270772
MR 130 Z EVO	K024	0301 - 9999	Engine CAT	2270772	2270771	2270772
MS 12	K067	0001 - 9999	Engine JCB		2226638	
			Engine CAT		2273498	
MS 13	K066	0001 - 9999	Unit CAT 74KW		2304910	
			Unit CAT 97KW		2226637	
MS 14	K068	0001 - 9999	Engine JCB		2226638	
			Engine CAT		2273498	
MS 15 Z	K047	0001 - 9999	Engine CAT 3054		2226635	
			Engine CAT 4.4 74KW		2304910	
			Engine CAT 4.4 97KW		2226637	
MS 16 D	K049	0001 - 9999	Engine CAT 3054		2226635	
			Engine CAT 4.4		2273498	
MS 16 Z	K048	0001 - 9999	Engine CAT 3054		2226635	
			Engine CAT 4.4		2273498	
MS 19 D	K055	0001 - 9999	Engine CAT 3054		2226635	
			Engine CAT 4.4		2226637	
MS 19 Z	K054	0001 - 9999	Engine CAT 3054		2226635	
			Engine CAT 4.4		2226637	
MS 21 Z	K076	0001 - 9999	Engine CAT 6.6		2325954	

Due to possible technical changes, please always compare with the information in the instruction manual.



# ORIGINAL KLEEMANN FILTER ELEMENTS FOR ENGINE



Close to  
our customers

Exhaust gas stage	Engine type	Start kit, 2000 h		Kit 500 h		Quantity	Designation	
		Part No.	Content of kit Part No.	Part No.	Content of kit Part No.			
Stage 2	SCANIA DC 9	2270754	M10023340	2270747	M10023340	1	Air filter 10.6 m <sup>2</sup>	
			M10023339		M10023339	1	Air filter – safety element	
			M10021220		M10021220	1	Fuel filter	
			2270642		2270642	1	O-ring	
			M10018061		M10018061	1	Fuel filter with water separator	
			M10015718		M10015718	1	Oil filter with seal	
			M10022114		M10022114	1	O-ring for centrifugal cleaner	
			M10021823		M10021823	1	O-ring cover for centrifugal cleaner	
			2198943			5	Valve cover seal	
			M10021217			1	Crankcase ventilation	
	SCANIA DC 12	2270756	2270755	M10014789	2270755	M10014789	1	Air filter 16 m <sup>2</sup>
				M10014788		M10014788	1	Air filter – safety element
				M10016955		M10016955	1	Fuel filter + O-ring
				M10018061		M10018061	1	Fuel filter with water separator
				M10015718		M10015718	1	Oil filter with seal
				M10022114		M10022114	1	O-ring for centrifugal cleaner
				M10021823		M10021823	1	O-ring cover for centrifugal cleaner
				M10025316			6	Valve cover seal (until motor no. 6521647)
				2198943			6	Valve cover seal (from motor no. 6521648)
				M10025547			1	Crankcase ventilation
	SCANIA DC 16	2270760	2270758	M10014789	2270758	M10014789	1	Air filter 16 m <sup>2</sup>
				M10014788		M10014788	1	Air filter – safety element
				M10021220		M10021220	1	Fuel filter
				2270642		2270642	1	O-ring
				M10018061		M10018061	1	Fuel filter with water separator
				2270637		2270637	1	Oil filter with O-ring
				M10021822		M10021822	1	O-ring for centrifugal cleaner
				M10021823			1	O-ring cover for centrifugal cleaner
				2198943			8	Valve cover seal
				2270622			1	Crankcase ventilation

Due to possible technical changes, please always compare with the information in the instruction manual.

# ORIGINAL KLEEMANN FILTER ELEMENTS FOR ENGINE

Exhaust gas stage	Engine type	Start kit, 2000 h		Kit 500 h		Quantity	Designation
		Part No.	Content of kit Part No.	Part No.	Content of kit Part No.		
Stufe 3A with LRC	SCANIA DC 9	2270762	2244012	2270763	2244012	1	Air filter 15"
			2244013		2244013	1	Air filter – safety element
			M10021220		M10021220	1	Fuel filter
			2270642		2270642	1	O-ring
			M10018061		M10018061	1	Fuel filter with water separator
			2244014		2244014	1	Oil filter with O-ring
			M10022114		M10022114	1	O-ring for centrifugal cleaner
			M10021823		M10021823	1	O-ring cover for centrifugal cleaner
	2198943		5	Valve cover seal			
	SCANIA DC 13	2270764	2270763	2244012	2244012	1	Air filter 15"
				2244013	2244013	1	Air filter – safety element
				M10021220	M10021220	1	Fuel filter
				2270642	2270642	1	O-ring
				M10018061	M10018061	1	Fuel filter with water separator
				2244014	2244014	1	Oil filter with O-ring
				M10022114	M10022114	1	O-ring for centrifugal cleaner
				M10021823	M10021823	1	O-ring cover for centrifugal cleaner
	2198943		6	Valve cover seal			
	SCANIA DC 16	2270766	2270765	2244012	2244012	1	Air filter 15"
				2244013	2244013	1	Air filter – safety element 15"
				2272406	2272406	1	Fuel filter + O-ring
				M10018061	M10018061	1	Fuel filter with water separator
				2270637	2270637	1	Oil filter with O-ring
				M10022114	M10022114	1	O-ring for centrifugal cleaner
				M10021823	M10021823	1	O-ring cover for centrifugal cleaner
				2198943		8	Valve cover seal
	SCANIA DC 16	2362836	2362830	2297731	2297731	1	Air filter 18"
				2297735	2297735	1	Air filter – safety element 18"
				2272406	2272406	1	Fuel filter + O-ring
				M10018061	M10018061	1	Fuel filter with water separator
				2270637	2270637	1	Oil filter with O-ring
				M10022114	M10022114	1	O-ring for centrifugal cleaner
M10021823				M10021823	1	O-ring cover for centrifugal cleaner	
2198943					8	Valve cover seal	

Due to possible technical changes, please always compare with the information in the instruction manual.

Exhaust gas stage	Engine type	Start kit, 2000 h		Kit 500 h		Quantity	Designation
		Part No.	Content of kit Part No.	Part No.	Content of kit Part No.		
Stufe 3A LRC only	SCANIA DC 9	2403247	2244012	2403244	2244012	1	Air filter 15"
			2244013		2244013	1	Air filter – safety element
			M10021220		M10021220	1	Fuel filter
			2270642		2270642	1	O-ring
			2345569		2345569	1	Fuel filter with water separator LRC
			2244014		2244014	1	Oil filter with O-ring
			M10022114		M10022114	1	O-ring for centrifugal cleaner
			M10021823		M10021823	1	O-ring cover for centrifugal cleaner
	2198943		5	Valve cover seal			
	SCANIA DC 13	2403248	2403244	2244012	2244012	1	Air filter 15"
				2244013	2244013	1	Air filter – safety element
				M10021220	M10021220	1	Fuel filter
				2270642	2270642	1	O-ring
				2345569	2345569	1	Fuel filter with water separator LRC
				2244014	2244014	1	Oil filter with O-ring
				M10022114	M10022114	1	O-ring for centrifugal cleaner
M10021823				M10021823	1	O-ring cover for centrifugal cleaner	
2198943		6	Valve cover seal				
Stage 4F	SCANIA DC 9	2382644	2379004	2244012	2244012	1	Air filter 15"
				2244013	2244013	1	Air filter – safety element 15"
				2378595	2378595	1	Fuel filter + O-ring
				2378597	2378597	1	Reducing agent filter element
				2270637	2270637	1	Oil filter with O-ring
				M10022114	M10022114	1	O-ring for centrifugal cleaner
				M10021823	M10021823	1	O-ring cover for centrifugal cleaner
				2381592		5	Valve cover seal
	SCANIA DC 13	2382642	2397004	2244012	2244012	1	Air filter 15"
				2244013	2244013	1	Air filter – safety element 15"
				2378595	2378595	1	Fuel filter + O-ring
				2378597	2378597	1	Reducing agent filter element
				2270637	2270637	1	Oil filter with O-ring
				M10022114	M10022114	1	O-ring for centrifugal cleaner
				M10021823	M10021823	1	O-ring cover for centrifugal cleaner
				2381592		6	Valve cover seal

Due to possible technical changes, please always compare with the information in the instruction manual.

# ORIGINAL KLEEMANN FILTER ELEMENTS FOR ENGINE

Exhaust gas stage	Engine type	Start kit, 2000 h		Kit 500 h		Quantity	Designation
		Part No.	Content of kit Part No.	Part No.	Content of kit Part No.		
Stage 3A	DEUTZ	2396001	2357645	2396000	2357645	1	Air filter
			2357877		2357877	1	Air filter – safety element
			2041593		2041593	2	Fuel filter
			2175352		2175352	1	Fuel filter with water separator
			2185177		2185177	1	Oil filter with O-ring
			2401259			1	Valve cover seal
Tier 3A	CAT C9	2270779	M10021850	2270778	M10021850	1	Oil filter
			M10023349		M10023349	1	Air filter outside
			M10021852		M10021852	1	Air filter inside (safety cartridge)
			M10023342		M10023342	1	Fuel filter element – diesel engine
			M10023343		M10023343	1	Filter element – water separator
			2270663			1	Valve cover seal
	CAT C11	2270782	M10021850	2270780	M10021850	1	Oil filter
			M10021851		M10021851	1	Air filter outside
			M10021852		M10021852	1	Air filter inside (safety cartridge)
			M10021853		M10021853	1	Fuel filter element – diesel engine
			M10023343		M10023343	1	Filter element – water separator
			2270654			1	Valve cover seal
	CAT C13	2270772	M10021850	2270771	M10021850	1	Oil filter
			M10021851		M10021851	1	Air filter outside
			M10021852		M10021852	1	Air filter inside (safety cartridge)
			M10021853		M10021853	1	Fuel filter element – diesel engine
			M10023343		M10023343	1	Filter element – water separator
			2270654			1	Valve cover seal

Due to possible technical changes, please always compare with the information in the instruction manual.

Engine type	Machine type	Engine power	Kit Part No.	Content of kit Part No.	Quantity	Designation
CAT 3054	MS 15, MS 16, MS 19		2226635	M10020466	1	Air filter inside
				M10020467	1	Air filter outside
				M10020568	1	Fuel filter
				M10020569	1	Fuel water separator – separator element
				M10020481	1	Oil filter
CAT 4.4	MS 13, MS 15, MS 19	97 kW	2226637	M10023404	1	Air filter inside
				M10023405	1	Air filter outside
				M10023412	2	Fuel filter
				M10023413	1	Fuel water separator – separator element
				M10020481	1	Oil filter
CAT 4.4	MS 13, MS 15	74 kW	2226639	M10023405	1	Air filter outside
				M10023404	1	Air filter inside
				M10020568	1	Fuel filter
				M10024985	1	Fuel water separator – separator element
				M10020481	1	Oil filter
CAT 4.4	MS 12, MS 14, MS 16	74 kW	2273498	M10023404	1	Air filter inside
				M10023405	1	Air filter outside
				M10020568	1	Fuel filter
				M10023413	1	Fuel water separator – separator element
				M10020481	1	Oil filter
CAT C6.6	MS 21		2325954	2324103	1	Air filter inside
				2324104	1	Air filter outside
				M10023412	1	Fuel filter
				M10023413	1	Fuel water separator – separator element
				2324106	1	Oil filter
JCB	MS 12, MS 14	63 kW	2226638	M10024995	1	Air filter inside
				M10024996	1	Air filter outside
				M10024997	1	Fuel filter
				M10024998	1	Fuel water separator – separator element
				M10024999	1	Oil filter

Due to possible technical changes, please always compare with the information in the instruction manual.



# ORIGINAL WIRTGEN GROUP LUBRICANTS



## Premium lubricants

Wirtgen Group lubricants combine the best possible basic oils and unique additives in customised specifications. The advantages for you:

- Extended oil-change intervals based on oil analysis in the Wirtgen Group
- Compatibility with the first filling
- Optimum protection against wear
- Perfect protection against corrosion
- Traceability in the event of damage

Wirtgen Group lubricants consequently improve the performance and service life of your machines while at the same time durably cutting their running costs. The sensible way to save money!



## One-stop supply

All Wirtgen Group machines – whether Wirtgen milling machine, Vögele paver, Hamm roller or Kleemann plant can be filled and lubricated with the corresponding Wirtgen Group lubricant for each application.\* Together with the carefully coordinated mixture of container sizes, this results in optimised ordering, storage and filling processes.

## Accessories for filling and lubrication

Highly functional accessories “made in Germany”, such as canister pumps and grease guns, are available to assist you in filling and lubricating your machines.



\*Exceptions are indicated

# ORIGINAL WIRTGEN GROUP ACCESSORIES FOR FILLING AND LUBRICATION



## Oil pumps

**Hand pump for 20-l canisters**  
Part No.: 2065044

- Piston pump
- Delivery hose with spring-loaded spiral and anti-kink spring
- Non-drip spout with holder
- Foot valve

**Lever-operated hand pump for 208-l barrels**  
Part No.: 2065045

- Made of metal
- Telescoping intake tube
- Pivotal delivery manifold
- Delivery capacity: 0.2 l / stroke



## Filling cylinder and grease presses

**Filling cylinder**  
Part No.: 2065046 (500 g)  
Part No.: 2065047 (1000 g)

- Made of metal
- Flexible hose

**Grease press / grease gun**  
Part No.: 2065049

- Made of metal
- High pressure output
- Size: 400-g cartridge



## Filling cans and funnels

**Filling cans**  
Part No.: 2065041 (1 l)  
Part No.: 2065042 (2 l)  
Part No.: 2065043 (5 l)

- Flexible spout
- Complete with lid
- Different sizes

**Filling funnels**  
Part No.: 2065039 (180 mm)  
Part No.: 2065040 (220 mm)

- Transparent plastic material
- Complete with lid
- Different diameters

# ORIGINAL WIRTGEN GROUP LUBRICANTS IN DETAIL

Engine oil					
Designation	Description	Class	Exhaust gas standard	Container	Part No.
Wirtgen Group Engine Oil 15W-40	Powerful high-performance engine oil made from excellent basic oils and special additives. Increases the performance output of your engine while at the same time ensuring maximum operational reliability.	ACEA E7/E5, API CI-4 plus	EURO 2, 3 and 4	5 l	2065020
				20 l	2065025
				208 l	2065026
Wirtgen Group Engine Oil 10W-40	The smooth-running engine oil produced using modern synthesis technology with outstanding wear protection and cleaning characteristics is suitable for exhaust gas standards TIER 1, 2, 3 (EURO 3a). For excellent and safe operating properties. Enables longer maintenance intervals as approved by the engine manufacturer.	ACEA E7/E5, API CF	EURO 4 and 5	5 l	2112355
				20 l	2112354
				208 l	2219171
Wirtgen Group Engine Oil "Low SAPS" 10W-30	Semi-synthetic "Low SAPS" engine oil (low sulphated ash, sulphur and phosphorous content) with fuel economy technology. Its low sulphate ash content ensures that burnt oil particles do not prematurely clog the emissions aftertreatment particle filter (DPF).	ACEA E9/E7, API CJ-4	EPA/CARB Tier 4i/f, EU-2004/26/EG Stage IIIB	5 l	2210320
				20 l	2210322
				208 l	2210323
Wirtgen Group Engine Oil "Low SAPS" 10W-40	The very latest synthetic diesel engine oil, extremely high performance, "Low SAPS" (lower levels of sulphur, sulphated ash and phosphor). The engine oil has been specially developed for use in all diesel engines with particle filters (DPF) and SCR systems (adBlue). Helps protect the environment by reducing harmful emissions.	ACEA E6/E7, E4-99 (API CI-4)	EPA/CARB Tier 4f, EU-2004/26/EG Stage 4	5 l	2346869
				20 l	2346870
				208 l	2346871



Close to  
our customers

Hydraulic oil				
Designation	Description	Class	Container	Part No.
Wirtgen Group Hydraulic Oil HVLP 46	High-grade multi-range hydraulic oil with high viscosity index for optimum protection against wear, even in the most difficult service conditions. Thanks to its enhanced specifications, it can be used with long replacement intervals. Optimum cold starting properties are guaranteed.	DIN 51524 Part 3 Type HVLP, ISO 6743/4 HV	20 l	2065028
			208 l	2065029
Wirtgen Group Hydraulic Oil HVLP 68	Zinc hydraulic fluid with high viscosity index	DIN 51524 Part 3 Type HLVP, DIN EN ISO 6743 Part 4 HV	20 l	2118574
Wirtgen Group Bio Hydraulic Oil 46	Rapidly biodegradable multi-use hydraulic fluid reduces wear and provides optimum protection against rust and corrosion. As per EU Eco-label criteria.	ISO 15380 HEES	20 l	2118575
			208 l	2270558

Gear oil				
Designation	Description	Class	Container	Part No.
Wirtgen Group Gear Oil 85W-90	Mineral gear oil of the latest generation for versatile use in gearboxes and axle drives. Stands out through maximum protection against wear and oxidation. Note: Must not be used for Wirtgen milling drum gearboxes, Hamm vibratory bearings and drum drives, as well as for Vögele pump splitter gearboxes and travel drives.	API GL-5	5 l	2065030
			20 l	2065031
			208 l	2065032
Wirtgen Group High-Performance Gear Oil VG 220	Exclusive all-synthetic gear oil designed for heavy-duty use in Wirtgen milling drum gearboxes. Extremely resistant to pressure and temperature. Note: Never mix with mineral gear oil. Must not be used for Hamm vibratory bearings and drum drives.	DIN 51517-3 CLP, ISO 6743-6	5 l	2170074
			20 l	2065033
			208 l	2065034
Wirtgen Group High-Performance Gear Oil VG 150	Exclusive all-synthetic gear oil designed for heavy-duty use in Wirtgen milling drum gearboxes. Extremely resistant to pressure and temperature. Note: Never mix with mineral gear oil. Must not be used for Hamm vibratory bearings and drum drives.	DIN 51517-3 CLP, ISO 6743-6	5 l	2173019
			20 l	199752
Wirtgen Group Special Gear Oil	Special all-synthetic high-performance gear oil for Hamm vibratory bearings and drum drives, as well as for Vögele pump splitter gearboxes and travel drives. Extremely resistant to pressure and temperature. Notes: Must not be mixed with mineral gear oil. Must not be used for Wirtgen milling drum gearboxes.	API GL-5	5 l	1238051
			20 l	2065037
			208 l	2065038

# ORIGINAL WIRTGEN GROUP LUBRICANTS IN DETAIL

Grease			
Designation	Description	Container	Part No.
Wirtgen Group Multipurpose Grease	Highly refined multipurpose grease for a wide range of lubricating jobs, such as on link pins and wheel bearings. State-of-the-art additive technology makes this product particularly suitable for use in conditions subject to impacts and vibration.	400 g	2065035
Wirtgen Group Clutch and Remixer Grease	Exclusive grease for use in clutches and Wirtgen remixers.	400 g	47259
Wirtgen Group Friction and Roller Bearing Grease	Exclusive grease for lubricating rolling and plain bearings exposed to high temperatures in Vögele machines.	18 kg	2027868
		12 x 400 g	2086136
Wirtgen Group Telescoping Tube Grease	Special high-performance grease based on silicone for use on Vögele telescoping tubes.	100 g	2086137
Wirtgen Group Low-Viscosity Grease	Thermally stable, high-performance low-viscosity grease with exceptional wear-resistance properties for Vögele auger drives.	5 kg	2050152
Wirtgen Group Asphalt Anti Stick	Perfect solution for Hamm rubber and combined wheel rollers: It prevents adhesion of the bitumen on the rubber tyres. The emulsion is based on a non-toxic solution and is thus rapidly biodegradable.	5 l	2117378
		20 l	2117379
Wirtgen Group Drum Bearing Grease	Exclusive grease for lubricating Hamm drum bearings. Extremely resistant to temperature and pressure.	1 kg	1205757
Wirtgen Group Drive Bearing Grease	Special high-performance grease for use in Hamm drive bearings. Extremely resistant to pressure and water-repellent.	1 kg	1227114
Wirtgen Group Quick-Change Toolholder Grease	Lubricant for greasing the Wirtgen quick-change toolholder.	480 g	2310279

Other lubricants			
Designation	Description	Container	Part No.
Wirtgen Group Clutch Fluid 32	High-performance hydraulic fluid for use in couplers of Kleemann machines.	5 l	2268030
		20 l	2268032
Wirtgen Group Antifreezing Compound	Coolants, anti-freeze and anti-corrosion agents.	5 l	2173022
		20 l	2173023
		208 l	2173024
Wirtgen Group Silicone Transformer Liquid	DOW transformer oil can be used in the magnetic separator in Kleemann systems.	20 l	2346389





# LUBRICANT REQUIREMENTS WHEN USING ORIGINAL WIRTGEN GROUP LUBRICANT CONTAINERS

Machine type	Model	Series range	Engine oil 10W-40			Hydraulic oil supply	
			Filling capacity (liters)	5 litres Part No.: 2112355	20 litres Part No.: 2112354	Filling capacity (liters)	20 litres Part No.: 2118575
MC 100	K001	0001 - 9999	23	1	1	145	8
MC 110 R	K003	0001 - 0199	34		2	255	13
		0200 - 9999					
MC 110 R EVO	K005	0001 - 9999	35		2	280	14
MC 110 Z	K004	0001 - 0199	34		2	255	13
		0200 - 9999					
MC 110 Z EVO	K006	0001 - 9999	35		2	280	14
MC 120	K007	0001 - 9999	28-33		2	280	14
MC 125	K008	0005 - 9999	28	2	1	280	14
MR 100 R	K012	0001 - 9999	33		2	280	14
MR 110 R EVO	K016	0001 - 9999	33		2	290	15
MR 100 Z	K013	0001 - 9999	33		2	280	14
MR 110 Z EVO	K017	0001 - 9999	33		2	290	15
MR 110 Z EVO 2	K018	0001 - 9999	45	2	1	300	15
MR 110 Zi EVO 2	K019	0001 - 9999	45	2	1	300	15
MR 122 Z	K062	0001 - 9999	28-33		2	280	14
MR 130 R, MR 130 R EVO	K023	0001 - 0199	28	2	1	400	20
		0200 - 9999	33		2	290	15
MR 130 Z, MR 130 Z EVO	K024	0001 - 0299	28	2	1	400	20
		0300 - 9999	33		2	290	15
MR 130 Z EVO 2	K077	0001 - 9999	45	2	1	300	15
MR 130 Zi EVO 2	K078	0001 - 9999	45	2	1	300	15

Due to possible technical changes, please always compare with the information in the instruction manual.

Machine type	Model	Series range	Traction drive			Clutch oil		
			Filling capacity (liters)	5 litres Part No.: 1238051	20 litres Part No.: 2065037	Filling capacity (liters)	20 litres Part No.: 2268032	5 litres Part No.: 2268030
MC 100	K001	0001 - 9999	7	2				
MC 110 R	K003	0001 - 0199	10	2				
		0200 - 9999						
MC 110 R EVO	K005	0001 - 9999	5	1		35	2	
MC 110 Z	K004	0001 - 0199	10	2				
		0200 - 9999						
MC 110 Z EVO	K006	0001 - 9999	5	1		35	2	
MC 120	K007	0001 - 9999	10	2				
MC 125	K008	0005 - 9999	30	2	1			
MR 100 R	K012	0001 - 9999	10	2		9		2
MR 110 R EVO	K016	0001 - 9999	10	2		46	3	
MR 100 Z	K013	0001 - 9999	10	2		9		2
MR 110 Z EVO	K017	0001 - 9999	10	2		46	3	
MR 110 Z EVO 2	K018	0001 - 9999	10	2		63	3	1
MR 110 Zi EVO 2	K019	0001 - 9999	10	2		63	3	1
MR 122 Z	K062	0001 - 9999	10	2				
MR 130 R, MR 130 R EVO	K023	0001 - 0199	10	2				
		0200 - 9999	10	2		46	3	
MR 130 Z, MR 130 Z EVO	K024	0001 - 0299	10	2				
		0300 - 9999	10	2		46	3	
MR 130 Z EVO 2	K077	0001 - 9999	10	2		63	3	1
MR 130 Zi EVO 2	K078	0001 - 9999	10	2		63	3	1

Due to possible technical changes, please always compare with the information in the instruction manual.



# LUBRICANT REQUIREMENTS WHEN USING ORIGINAL WIRTGEN GROUP LUBRICANT CONTAINERS

Machine type	Model	Series range	Gear oil of crusher discharging belt		Pre-screening belt (optional)		Screen bearings of prescreen		Gear oil of transfer gearbox	
			Filling capacity (litres)	5 litres Part No.: 2170074	Filling capacity (litres)	5 litres Part No.: 2170074	Filling capacity (litres)	5 litres Part No.: 1238051	Filling capacity (litres)	5 litres Part No.: 2170074
MC 100	K001	0001 - 9999	5.3	1	2.7	1	1.2	1	2.5	1
MC 110 R	K003	0001 - 0199	5.3	1	6	2	1.2	1	6.5	2
		0200 - 9999								
MC 110 R EVO	K005	0001 - 9999	5	1	5.2	2				
MC 110 Z	K004	0001 - 0199	5.3	1	6	2	1.2	1	6.5	2
		0200 - 9999								
MC 110 Z EVO	K006	0001 - 9999	5	1	5.2	2				
MC 120	K007	0001 - 9999	8.5	2	6	2	1.2	1	2.5	1
MC 125	K008	0005 - 9999	2.7	1	2.7	1	1.2	1	2.5	1
MR 100 R	K012	0001 - 9999	2.7	1	2.7	1	8.5	2	6.5	2
MR 100 Z	K013	0001 - 9999	2.7	1	2.7	1	8.5	2	6.5	2
MR 110 R	K016	0001 - 9999	5.3	1	6	2	1.2	1	2.5	1
MR 110 Z	K017	0001 - 9999	5.3	1	6	2	1.2	1	2.5	1
MR 110 Z EVO 2	K018	0001 - 9999	8.0	2	6	2				
MR 110 Zi EVO 2	K019	0001 - 9999	8.0	2	6	2				
MR 122 Z	K062	0001 - 9999	8.5	2	6	1	1.2	1	2.5	1
MR 130 R, MR 130 R EVO	K023	0001 - 0199	5.3	1	2.7	1	7	2	2.5	1
		0200 - 9999	5.3	1	6	2	1.2	1	2.5	1
MR 130 Z, MR 130 Z EVO	K024	0001 - 0299	5.3	1	2.7	1	7	2	2.5	1
		0300 - 9999	5.3	1	6	2	1.2	1	2.5	1
MR 130 Z EVO 2	K077	0001 - 9999	8.0	2	6	2				
MR 130 Zi EVO 2	K078	0001 - 9999	8.0	2	6	2				

Due to possible technical changes, please always compare with the information in the instruction manual.

Machine type	Model	Series range	Fine aggregate belt classifying screen		Return belt classifying screen		Screen bearings of classifying screen		Magnetic separator gears	
			Filling capacity (litres)	5 litres Part No.: 2170074	Filling capacity (litres)	5 litres Part No.: 2170074	Filling capacity (litres)	5 litres Part No.: 1238051	Filling capacity (litres)	5 litres Part No.: 2170074
MC 110 R	K003	0001 - 0199	2.7	1	6	2	0.8	1		
		0200 - 9999								
MC 110 R EVO	K005	0001 - 9999							2.7	1
MC 110 Z	K004	0001 - 0199	2.7	1	6	2	0.8	1		
		0200 - 9999								
MC 110 Z EVO	K009	0001 - 9999							2.7	1
MR 100 R	K012	0001 - 9999	2.7	1	10.5	2	0.8	1		
MR 100 Z	K013	0001 - 9999	2.7	1	10.5	2	0.8	1		
MR 110 R	K016	0001 - 9999	2.7	1	10.5	2	0.8	1		
MR 110 Z	K017	0001 - 9999	2.7	1	10.5	2	0.8	1		
MR 110 Z EVO 2	K018	0001 - 9999	8.0	2	10.5	3			2.7	1
MR 110 Zi EVO 2	K019	0001 - 9999	8.0	2	10.5	3			2.7	1
MR 130 R, MR 130 R EVO	K023	0001 - 0199	5.3	1	10.5	2	0.8	1		
		0199 - 9999	5.3	1	10.5	2	0.8	1		
MR 130 Z, MR 130 Z EVO	K024	0001 - 0299	5.3	1	10.5	2	0.8	1		
		0300 - 9999	5.3	1	10.5	2	0.8	1		
MR 130 Z EVO 2	K077	0001 - 9999	8.0	2	10.5	3			2.7	1
MR 130 Zi EVO 2	K078	0001 - 9999	8.0	2	10.5	3			2.7	1

Due to possible technical changes, please always compare with the information in the instruction manual.

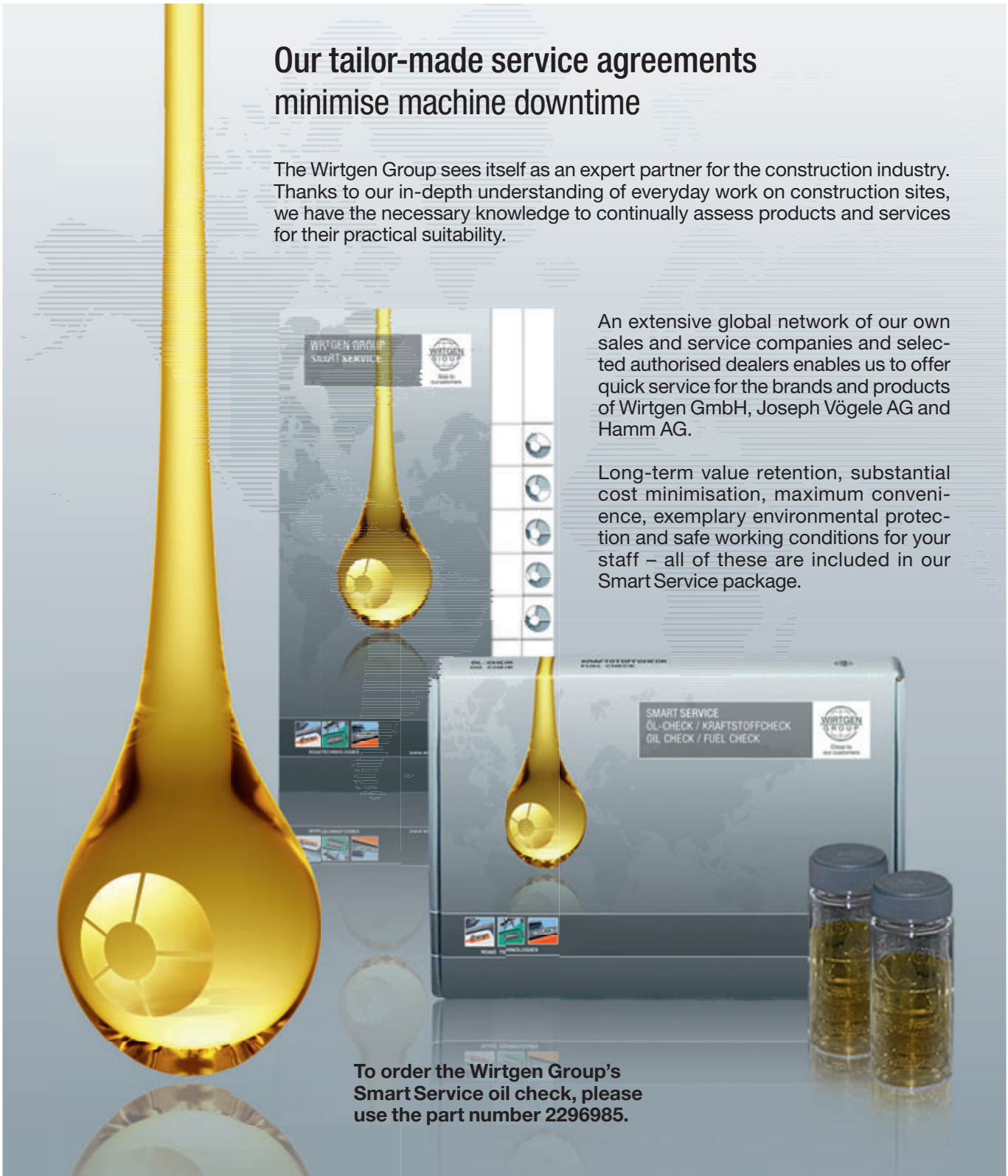


## Our tailor-made service agreements minimise machine downtime

The Wirtgen Group sees itself as an expert partner for the construction industry. Thanks to our in-depth understanding of everyday work on construction sites, we have the necessary knowledge to continually assess products and services for their practical suitability.

An extensive global network of our own sales and service companies and selected authorised dealers enables us to offer quick service for the brands and products of Wirtgen GmbH, Joseph Vögele AG and Hamm AG.

Long-term value retention, substantial cost minimisation, maximum convenience, exemplary environmental protection and safe working conditions for your staff – all of these are included in our Smart Service package.




To order the Wirtgen Group's  
Smart Service oil check, please  
use the part number 2296985.

# PARTS AND MORE LEGEND



Close to  
our customers

	Carbide weight
<b>2K</b>	2-component material with bonded plating
<b>a. A.</b>	On request
<b>DSK</b>	Cold-paved thin layers
<b>EP</b>	ErgoPlus
<b>FB</b>	Width of milling drum in mm
<b>FT</b>	Milling depth in mm
<b>HD</b>	Heavy Duty
<b>HM</b>	Carbide
<b>i</b>	Interim motors
<b>IP</b>	InLine Pave
<b>L</b>	Longversion
<b>LA</b>	Line spacing in mm
<b>MLW</b>	Mesh size
<b>MT</b>	Feeder
<b>OB</b>	Surface processing
<b>SF</b>	Spray paver
<b>SK</b>	Hose coupling
<b>SJ</b>	SprayJet
<b>RSM</b>	Pick

WIRTGEN GROUP  
PARTS AND MORE  
PERSONAL NOTES



Close to  
our customers





Close to  
our customers

The General Standard Terms and Conditions of Sale and Delivery apply.

The Terms and Conditions of Sale and Delivery of the company at which orders are processed can be sent on request.

They can also be viewed on the website of the respective company.

WIRTGEN, WIRTGEN GROUP, WITOS, the respective logos, the “Wirtgen Star logo” and the design of the “Zigzag Toolholder”, the “red and yellow track pads” and the “ornamental milling drum flange” are, in many countries, registered trademarks of Wirtgen GmbH.





Close to  
our customers

#### WIRTGEN GMBH

Reinhard-Wirtgen-Strasse 2  
53578 Windhagen · Germany

Phone: +49 (0) 26 45/131-0

Fax: +49 (0) 26 45/131-397

E-mail: [service@wirtgen.de](mailto:service@wirtgen.de)  
[www.wirtgen.de](http://www.wirtgen.de)

#### JOSEPH VÖGELE AG

Joseph-Vögele-Strasse 1  
67075 Ludwigshafen · Germany

Phone: +49 (0) 621/8105-0

Fax: +49 (0) 621/8105-463

E-mail: [spareparts@voegele.info](mailto:spareparts@voegele.info)  
[www.voegele.info](http://www.voegele.info)

#### HAMM AG

Hammstrasse 1  
95643 Tirschenreuth · Germany

Phone: +49 (0) 96 31/80-0

Fax: +49 (0) 96 31/80-120

E-mail: [parts@hamm.eu](mailto:parts@hamm.eu)  
[www.hamm.eu](http://www.hamm.eu)

#### KLEEMANN GMBH

Manfred-Wörner-Strasse 160  
73037 Göppingen · Germany

Phone: +49 (0) 71 61/206-0

Fax: +49 (0) 71 61/206-100

E-mail: [info@kleemann.info](mailto:info@kleemann.info)  
[www.kleemann.info](http://www.kleemann.info)